



GERBER

www.gerberonline.com **Soft-Close Elongated Toilet Seat with Cover**

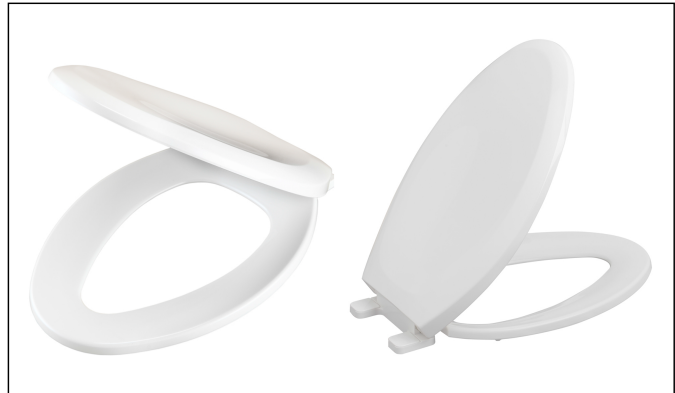
Features:

□ 99-213

- Elongated closed-front toilet seat with soft-closed cover
- Adjustable mounting hardware for ideal fit
- High-impact, heavy duty solid polypropylene
- UV protection minimizes color degradation
- Top mounting for quick and easy installation
- 4 large molded-in bumpers to prevent slippage
- Available in white, biscuit (99-213-09), and bone (99-213-25)

Standards:

- Complies with IAPMIO/ANSI Z124.5 Plastic Toilet Seats as a class Commercial Heavy Duty.

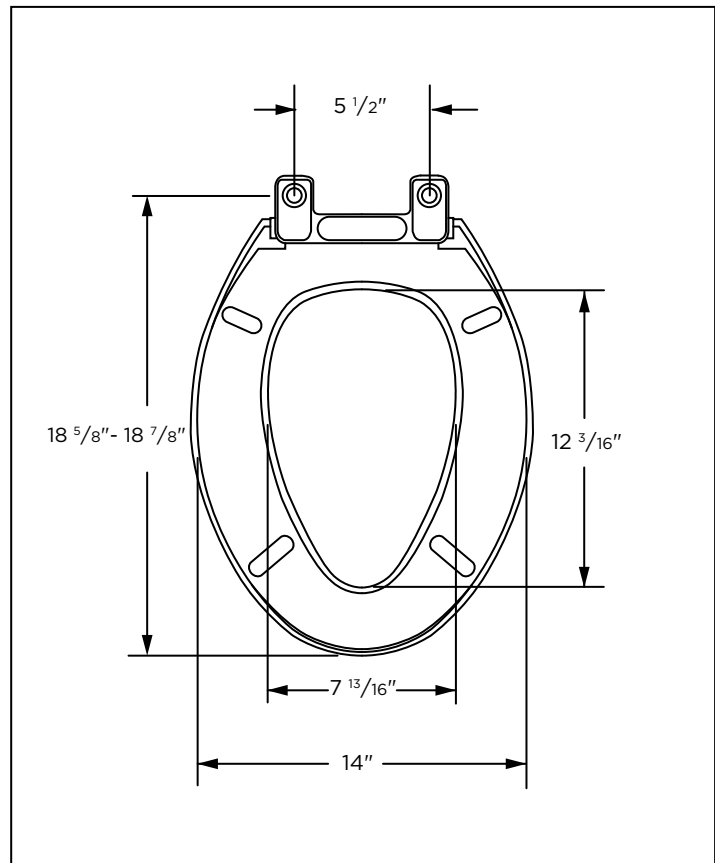
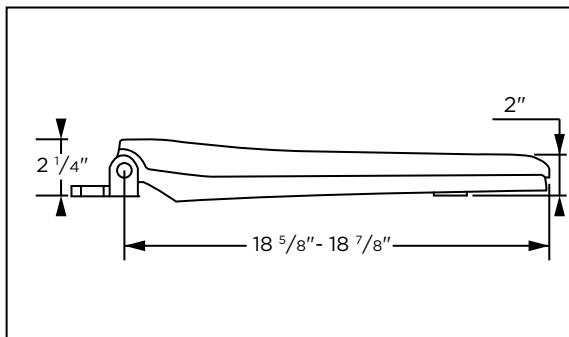


Technical Information:

Configuration	Elongated Toilet Seat
Type of Seat	Closed front with cover
Seat Hinges	Adjustable
Mounting Holes	5 1/2"
Height	2"
Width	14"
Depth	18 5/8" - 18 7/8"
Product Weight	3.7lbs
Material	Polypropylene with UV protection
Bumpers	4

Warranty:

- One Year Manufactures Warranty



NOTES: Illustrations may not be drawn to scale.