



### Features:

- 72" length
- Stainless steel housing
- Standard 1/2" female brass adaptors
- Check valve for against back flow

### Standards & Certifications:

None

### Catalog Numbers:

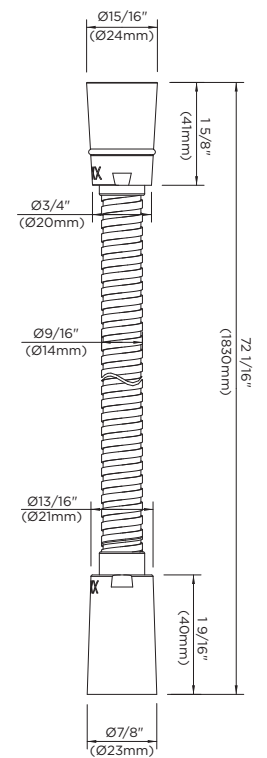
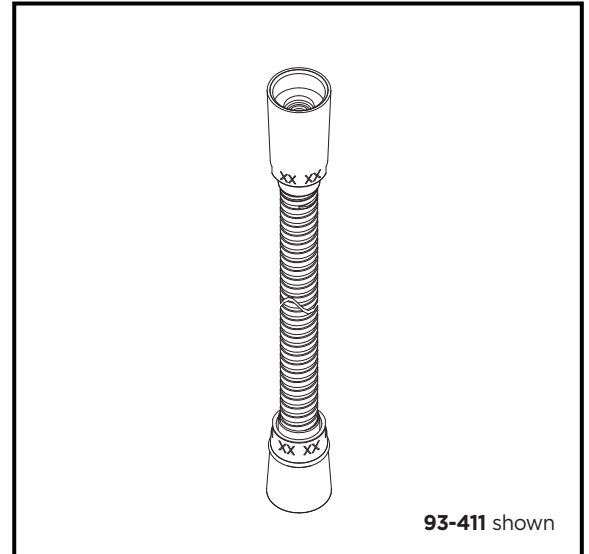
**93-411** SS Shower Hose

### Prefixes Available:

None

### Suffixes Available:

None



Job Name	
Date	
Model Specified	
Quantity	
Customer	
Contractor	
Architect/engineer	