




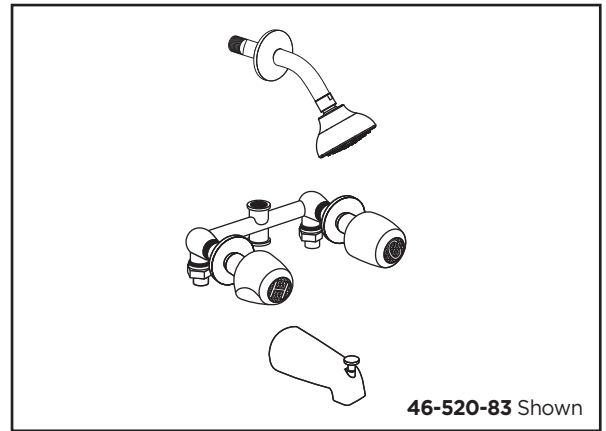
# GERBER

## 46-520-83 Series Gerber Classics Two Handle Tub & Shower Fittings



### Features:

- Compression stems
- Body cast of high copper content brass
- Exposed parts have heavy chrome plated finish
- Working parts can be easily replaced
- Single function showerhead 49-107 at max. 2.0GPM (7.6LPM) WaterSense listed 
- 1/2" I.P.S. or Sweat water inlet connections
- 6" centers with sliding sleeve escutcheons
- ADA compliant metal handles operate with less than 5 lbs. force
- Twin ell diverter spout



### Standards & Certifications:

- ANSI/ASME A112.18.1M
- ANSI A117.1 (ADA)
- IAPMO/cUPC

### Catalog Numbers:

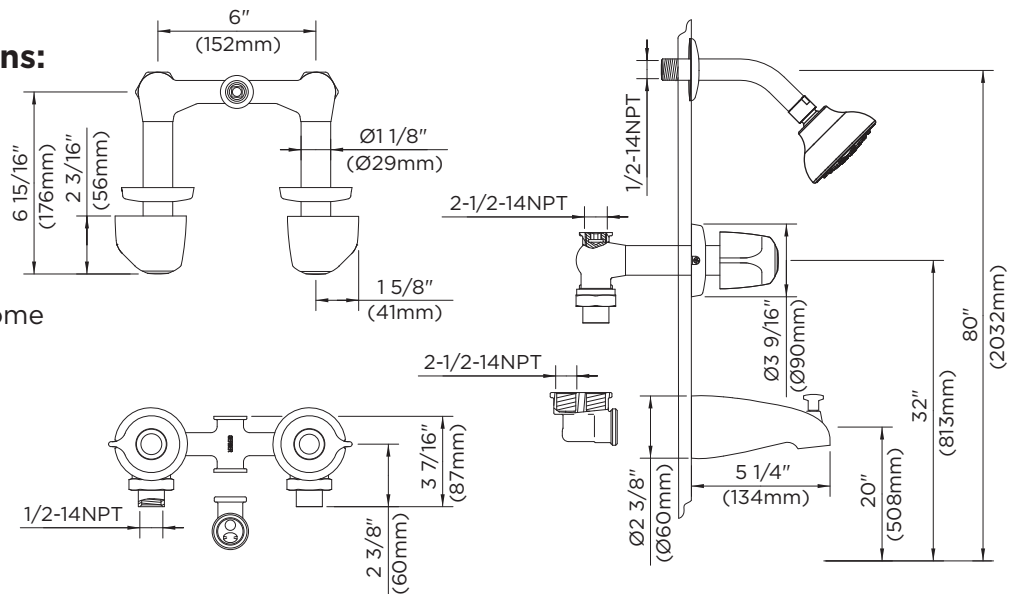
**46-520-83** IPS/Sweat Chrome

### Prefixes Available:

None

### Suffixes Available:

None



|                    |  |
|--------------------|--|
| Job Name           |  |
| Date               |  |
| Model Specified    |  |
| Quantity           |  |
| Customer           |  |
| Contractor         |  |
| Architect/engineer |  |

Gerber Toll Free Technical Support: 888-648-6466  
www.gerberonline.com