



# GERBER

## 40-445-W Maxwell® SE Pull-Out Kitchen Faucet



### Features:

- 1 or 3 hole installation (8" deck plate included)
- Washerless cartridge G0097499
- 1.75 gpm (6.6 L/min) maximum aerator GA50017955N @ 60 psi
- Pull-out spout
- Chrome or stainless steel finish
- Lead free waterway per NSF/ANSI 372
- Fully ADA compliant
- Limited lifetime warranty
- Meets CEC requirements

### Standards & Certifications:

- ASME A112.18.1
- NSF/ANSI 372
- IAPMO/cUPC
- ICC/ANSI A117.1
- MASS Code

### Catalog Numbers:

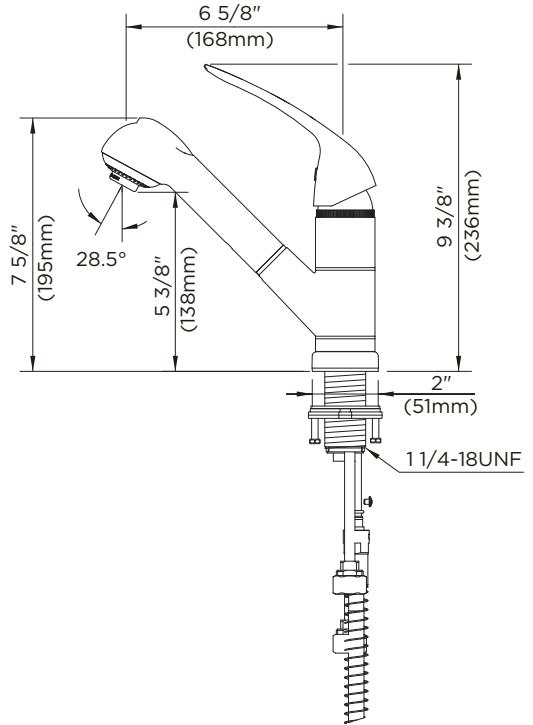
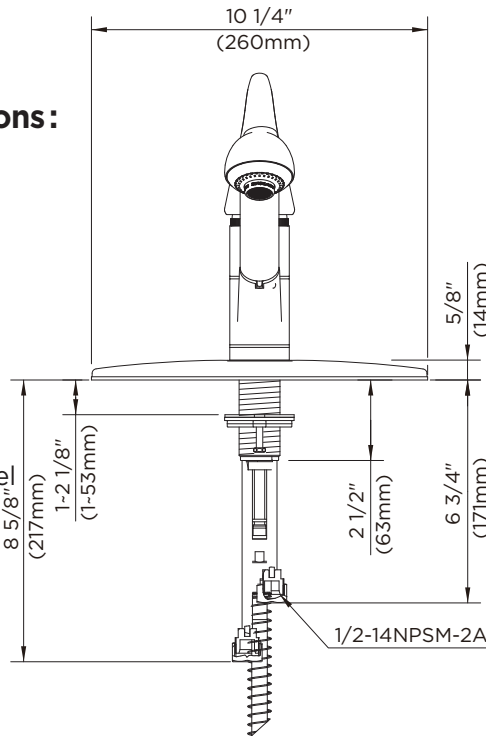
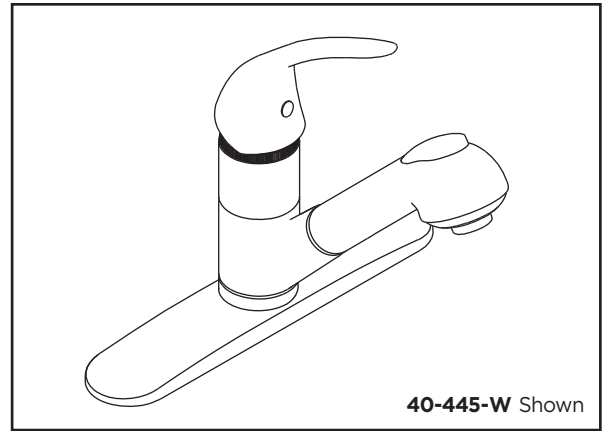
- 40-445-W** Chrome
- 40-445-W-SS** Stainless Steel

### Prefixes Available:

None

### Suffixes Available:

- W Washerless
- SS Stainless Steel



Job Name	
Date	
Model Specified	
Quantity	
Customer	
Contractor	
Architect/engineer	

Gerber Toll Free Technical Support: 888-648-6466  
www.gerberonline.com