



VITREOUS CHINA

TOILET
21-314

LAVATORIES

TOILETS

BIDETS / URINALS

CAST IRON

ULTRA FLUSH® Pressure-Assist Toilet Elongated

14" Rough-in



Features:

- Low Consumption 1.6 gpf (6.0 Lpf)
- Elongated Bowl
- Pressurized Flushing Action
- Close Coupled Flushometer Tank
- Siphon Jet
- Front Tank Lever
- 2 Bolt Caps

Dimensions:

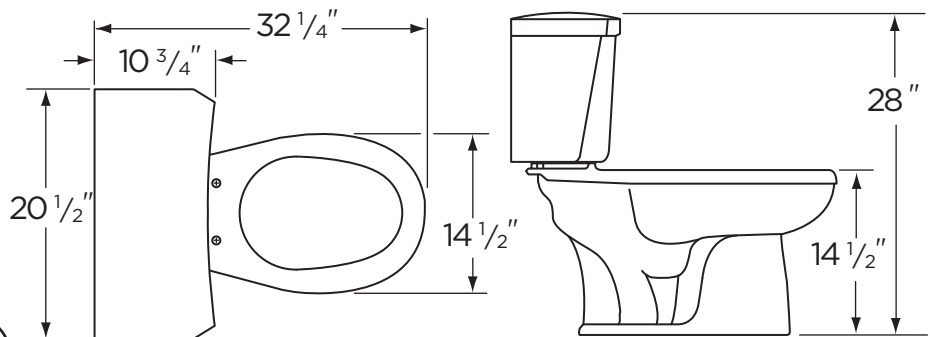
Height 28"
 Width 20 1/2"
 Depth 32 1/4"
 Rough-in 14"
 Water Surface from Rim 4 1/2"
 Trapway (ave)* 3 1/3"
 Trapway (min) 2"
 Water Surface..... 12 1/2" x 10 1/2"
 Water Seal 2 1/2"
 Shipping Weight 99 lbs



Specifications: Bowl—#21-372 Elongated Bowl
Seat not included

Tank—#28-384

*Average diameter of 26 equally spaced points throughout the trapway of 3 randomly selected bowls



THIS FIXTURE QUALIFIES
 ACCORDING TO ASME TEST
 PROCEDURES AS A LOW
 CONSUMPTION WATER CLOSET
 WITH AN AVERAGE CONSUMPTION
 OF 1.6 GAL. OR LESS.



www.gerberonline.com

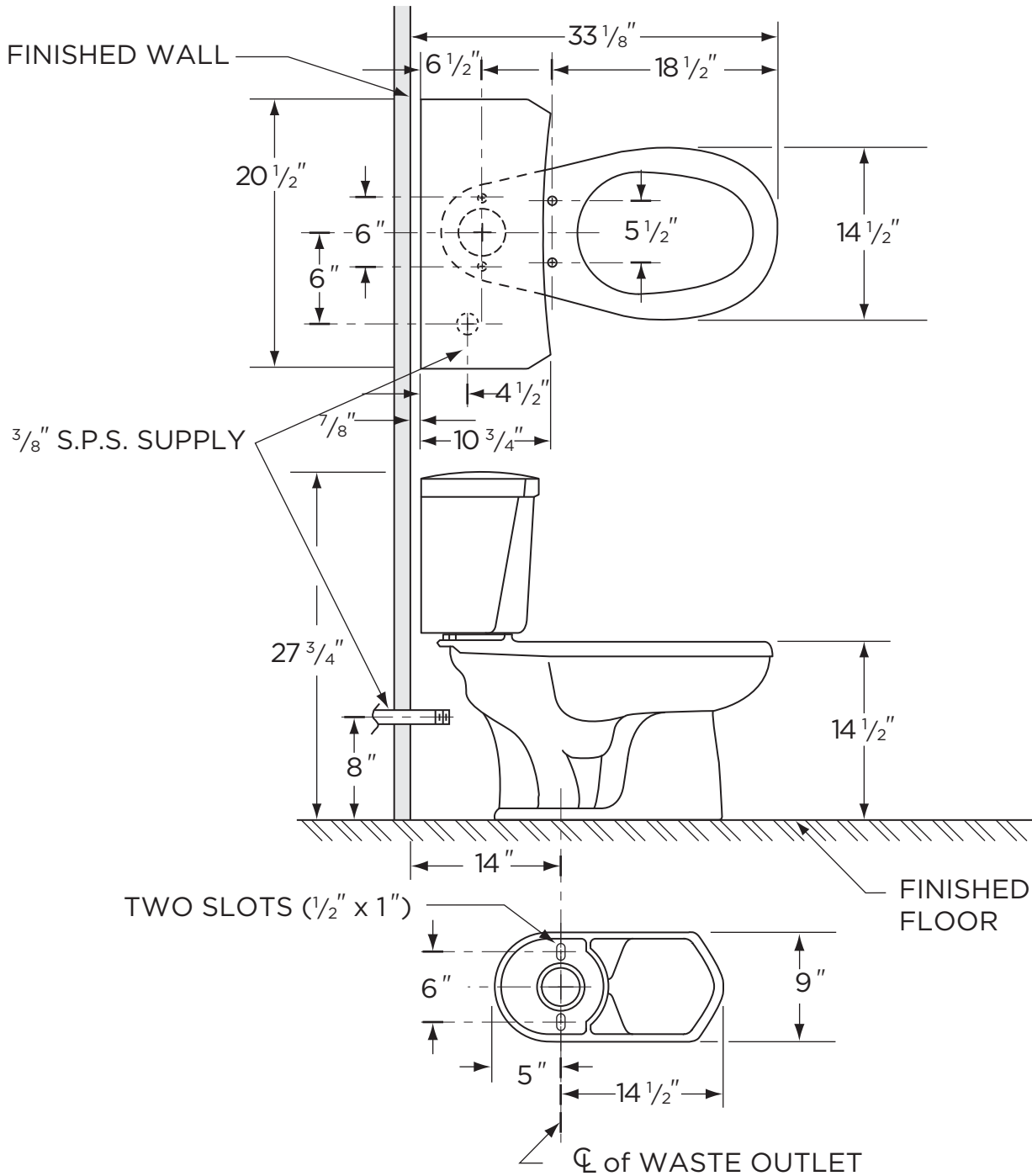
Job Name	
Date	
Model Specified	
Quantity	
Customer	
Contractor	
Architect/engineer	



1.6 gpf (6 Lpf) LOW CONSUMPTION ULTRA FLUSH® TOILET

21-314

Elongated, 14" Rough-in
(Bowl 21-372 with Tank 28-384)



NOTES:
All dimensions are in inches.
Illustrations may not be drawn to scale.

IMPORTANT:
Dimensions of fixtures are nominal and may vary within the range of tolerances established by ASME Standard A 112.19.2.
THIS FIXTURE QUALIFIES ACCORDING TO ASME TEST PROCEDURES AS A LOW CONSUMPTION WATER CLOSET WITH AN AVERAGE CONSUMPTION OF 1.6 gpf (6 Lpf) OR LESS.