



VITREOUS CHINA

TOILET
21-304

LAVATORIES

TOILETS

BIDETS / URINALS

CAST IRON

ULTRA FLUSH® Pressure-Assist Toilet Round Front

14" Rough-in



Features:

- Low Consumption 1.6 gpf (6.0 Lpf)
- Round Front Bowl
- Pressurized Flushing Action
- Close Coupled Flushometer Tank
- Siphon Jet
- Front Tank Lever
- 2 Bolt Caps

Dimensions:

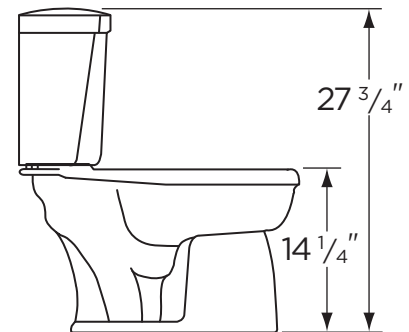
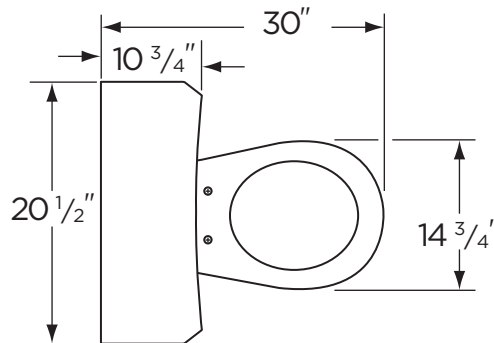
Height.....27 3/4"
 Width.....20 1/2"
 Depth.....30"
 Rough-in14"
 Water Surface from Rim ...4 5/8"
 Trapway (ave)*3 1/8"
 Trapway (min)2"
 Water Surface.....12" x 10"
 Water Seal2 1/2"
 Shipping Weight97 lbs



Specifications: Bowl—#21-342 Round Front
Seat not included

Tank—#28-384

*Average diameter of 26 equally spaced points throughout the trapway of 3 randomly selected bowls



THIS FIXTURE QUALIFIES
 ACCORDING TO ASME TEST
 PROCEDURES AS A LOW
 CONSUMPTION WATER CLOSET
 WITH AN AVERAGE CONSUMPTION
 OF 1.6 GAL. OR LESS.



www.gerberonline.com

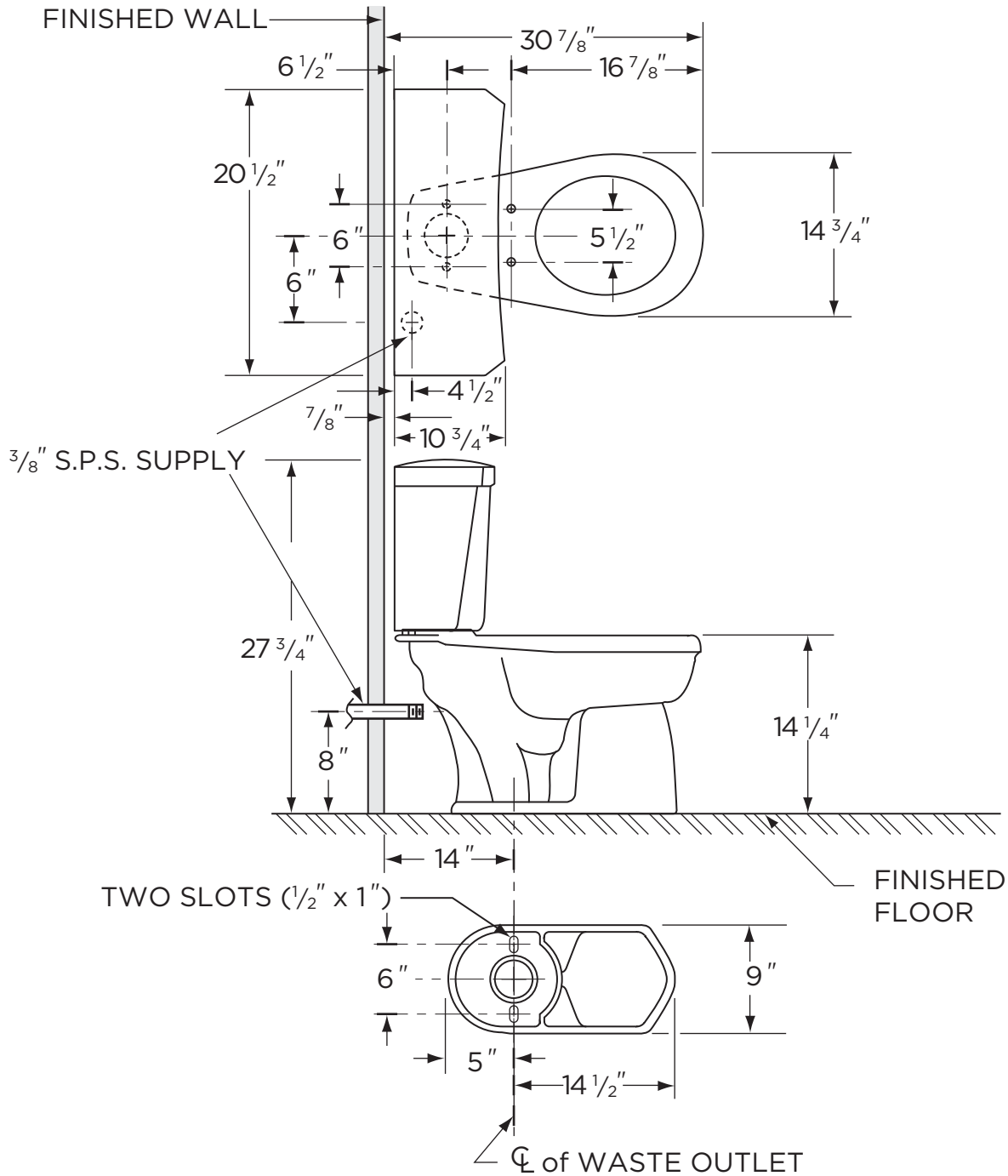
Job Name	
Date	
Model Specified	
Quantity	
Customer	
Contractor	
Architect/engineer	



1.6 gpf (6 Lpf) LOW CONSUMPTION ULTRA FLUSH® TOILET

21-304

Round Front, 14" Rough-in
(Bowl 21-342 with Tank 28-384)



NOTES:
All dimensions are in inches.

Illustrations may not be drawn to scale.

IMPORTANT:

Dimensions of fixtures are nominal and may vary within the range of tolerances established by ASME Standard A 112.19.2.

THIS FIXTURE QUALIFIES ACCORDING TO ASME TEST PROCEDURES AS A LOW CONSUMPTION WATER CLOSET WITH AN AVERAGE CONSUMPTION OF 1.6 gpf (6 Lpf) OR LESS.