

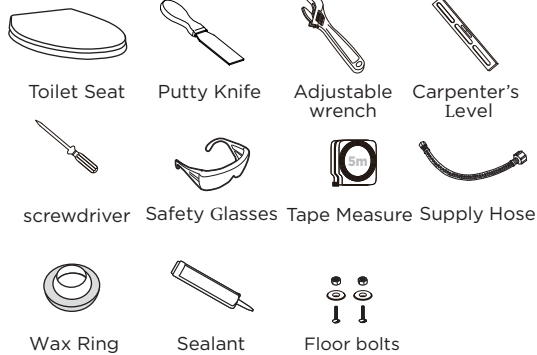
GERBER®

Installation Instructions for Two-Piece Pressure Assist Toilets



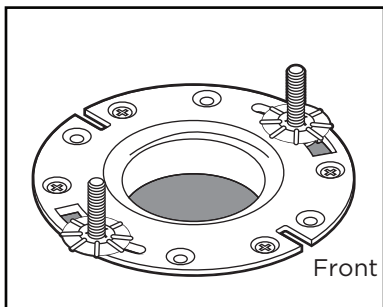
CAUTION: Product is heavy and may require handling by two people as it is fragile and breakable.

Recommended Tools and Materials (Not Included)



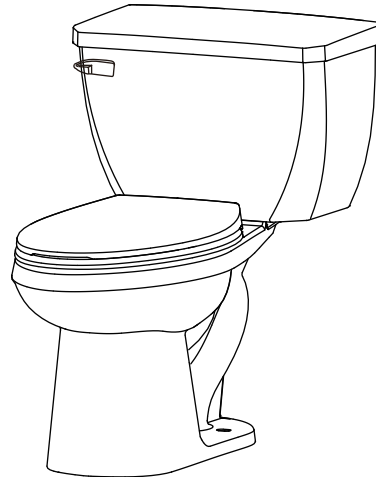
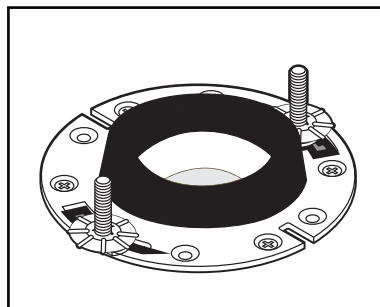
1. Install the toilet floor bolts

Place bolts in floor flange and ensure they are 9:00 and 3:00 position - as shown.



2. Installing Wax Ring on top of Flange

For a secure and tight fit, place the wax ring on top of the flange and press down.

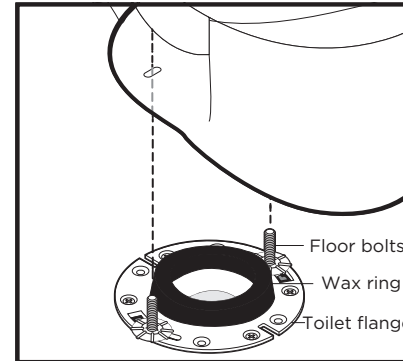


ADA compliant when installed 17" to 19" from the top of the seat to the floor

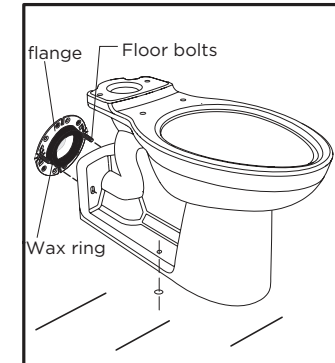
3. Installing the bowl

Place the bowl on top of the flange and wax ring and press down for a secure and tight fit.

Floor Outlet Models



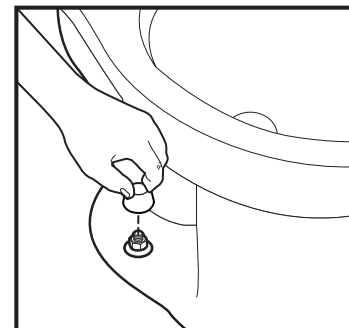
Back Outlet Models



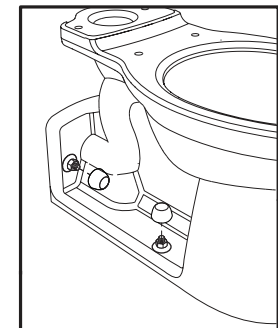
4. Securing the bowl to the floor

Place the base of bolt caps on first- ensuring the side that shows "THIS SIDE UP" is visible -, then washers, then nuts. Tighten the nuts and alternate sides for a secure and tight fit. Be careful not to overtighten! After the nuts are secure, place the bolt caps on top and press down until they snap in place. The bolts may need to be cut so the bolt cap will fit.

Floor Outlet Models



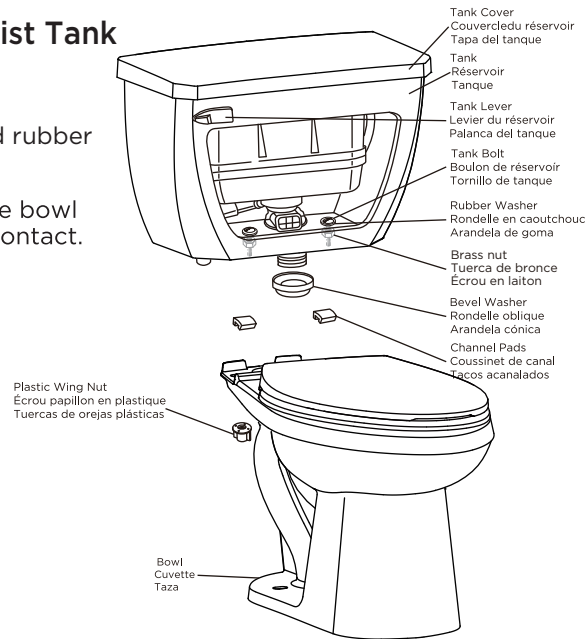
Back Outlet Models



5. Installation for Pressure Assist Tank

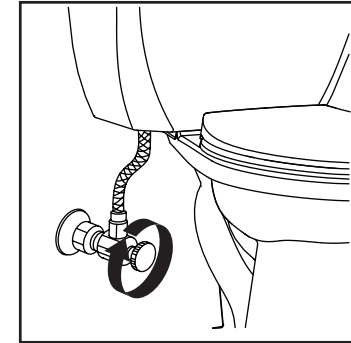
1. Before assembling tank to bowl check tightness of brass nuts and rubber washers underneath the tank.
2. Place channel pads on back of the bowl ledge to prevent china-to china contact.
3. Place beveled washer/gasket on the water inlet opening at the back of the bowl. Lower and align the tank onto the beveled washer/gasket and through the mounting holes.
4. Secure the tank to the bowl by alternately hand tightening the nuts and making sure no rocking occurs.

Note: DO NOT OVERTIGHTEN



2. When you turn the water supply on, you will hear water flow into the pressure vessel. When the flow stops (usually between 60 and 90 seconds), the pressure vessel has filled and is ready to flush.

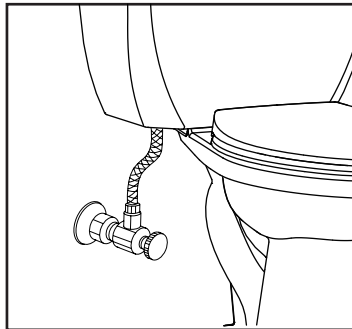
NOTE: Time must be allowed for the pressure vessel to refill after every flush.



6. Connecting water supply

1. Connect the water supply line from the water supply stop, and flush the line into a bucket before connecting to the bottom of the tank.

HAND TIGHTEN ONLY! OVERTIGHTENING MAY SPLIT THE INLET CONNECTION AND WILL VOID THE WARRANTY!



7. Check for Leaks

Turn the water on and let the pressure vessel fill up completely. Test flush two or three times and check for water leaks at all connections.

If leaking should occur

Please check all connections to ensure everything is securely tightened.

8. Adjustments

For best actuating performance, at rest there should be an approximate 1/16" gap between the actuator rod and the adjuster. If it is necessary to make this adjustment, it should be done with water in reservoir and unit pressurized. Loosen set screw in top center and rotate adjuster to give the required gap and re-tighten set screw.

9. Installing the Toilet Seat

Please refer to the installation instructions provided with the toilet seat by the manufacturer.

10. Optional

Add sealant around the bottom of the bowl after installation is complete

WARNING: DO NOT EXPOSE PLASTIC TRIM PARTS TO STRONG OXIDIZING AGENTS, CHLORINE, OR ACID LEVELS OF LOWER THAN 5-0 pH. SOME BOWL/TILE CLEANERS CONTAIN SUCH AGENTS. NOTE: TANK TYPE BOWL CLEANER CAN CAUSE TANK COMPONENT FAILURE AND DAMAGE. OUR WARRANTY EXCLUDES SUCH FAILURES. Do Not Use Plumbers Putty on Plastic Parts.

GERBER®

www.gerberonline.com