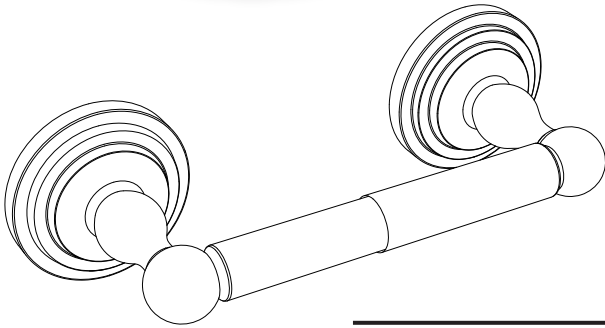




# Marina Collection

General Specifications



Tissue Holder

- |                      |                        |
|----------------------|------------------------|
| #5230 (Chrome)       | #5834 (Bronze)         |
| #5844 (Satin Nickel) | #5210 (Polished Brass) |

