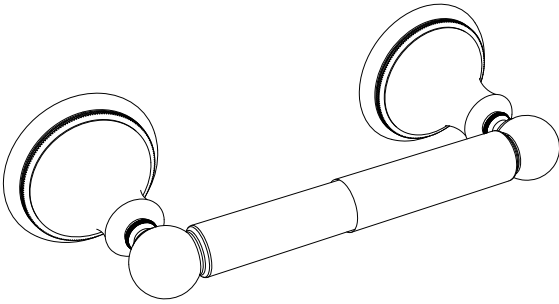




Laurel Ave. Collection

General Specifications



Tissue Holder

#4583 (Polished Nickel)
#4593 (Satin Nickel)

