

Art. 8116U

Wall-mount handshower set

- FIT handshower with anti-siphon check valve
- Anti-lime scale system
- 58" vinyl hose
- Water outlet with shower holder
- Square escutcheon
- 1/2" Male NPT fittings
- Water flow restricted to 1.8 GPM

Finishes:

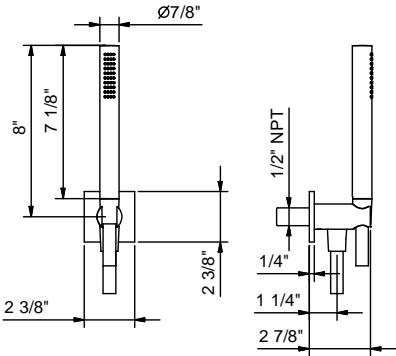
- Matte Gun Metal PVD** 86 P5 8116U

Project:

Room:

Date:

Comments:



Certifications/Awards:

