

Art. 8042BU+8034AU
BELVEDERE showerhead

- Prismatic shape
- Rough and trim all made of solid brass
- Fixing system ensuring firm installation
- Anti-lime scale system
- 1/2" Male NPT fittings
- Water flow restricted to 2.2 GPM @ 60 PSI

Fully inspectable for maintenance and cleaning

Trim
Finishes:

Chrome 86 02 8042BU

Rough
Finishes:

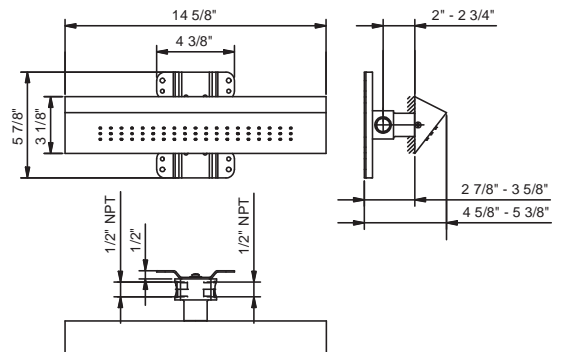
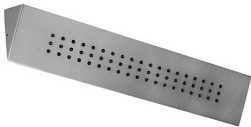
86 00 8034AU

Project:

Room:

Date:

Comments:



Certifications/Awards:

