

**Art. 2504WU**

**Single-control electronic washbasin mixer, cylindrical handle**

- 4 1/2" spout projection
- Hand free operation
- Water flow restricted to 1.2 GPM
- 1/4 turn clockwise for temperature control
- Flexible supply lines
- Handle included
- 4 (AA 1.5V) batteries included

**Finishes:**

- Chrome** 50 02 2504WU
- Matte Black** 50 13 2504WU
- Matte White** 50 29 2504WU
- Matte Gun Metal PVD** 50 P5 2504WU
- Matte British Gold PVD** 50 P6 2504WU

**Project:**

---



---



---

**Room:**

---



---



---

**Date:**

---



---



---

**Comments:**

---



---



---



---



---



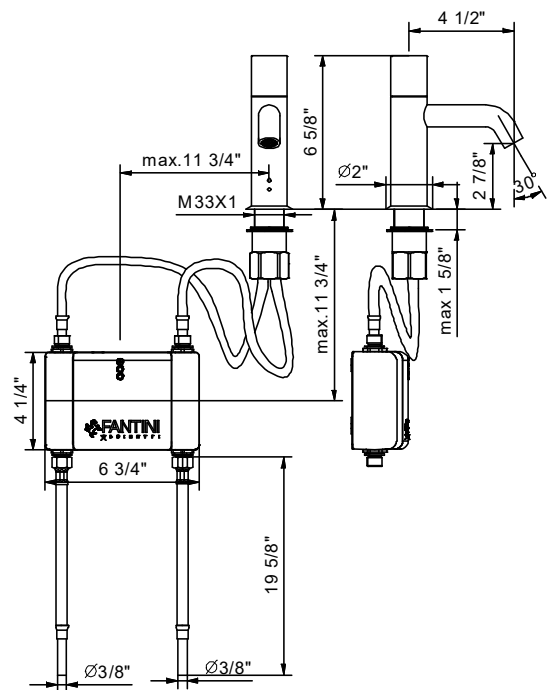
---



---



---



**Certifications/Awards:**



CEC



CAL GREEN