

Art. 4790BU+3970AU

3/4" Volume control, handle offset to the right

- For remote installation
- 3"x 4 3/4" rectangular escutcheon
- 3/4" NPT inlet and outlet
- Sound insulation foam back
- Handle included
- 15.3 GPM @ 60 PSI

To be used with thermostatic valve (#4711BU+#4711AU or #7300BU+#D200AU)

Trim

Finishes:

- Chrome** 31 02 4790BU
- Matte Gun Metal PVD** 31 P5 4790BU
- Brushed Stainless steel** 31 93 4790BU

Rough

Finishes:

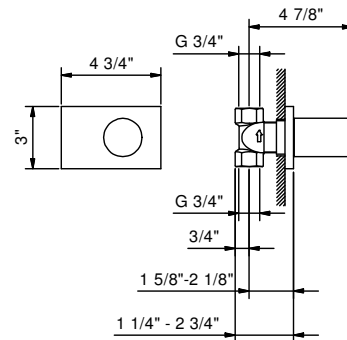
- 19 00 3970AU

Project:

Room:

Date:

Comments:



Certifications/Awards:

