

**Art. 3004WU**

**Single-control washbasin mixer**

- 4 1/4" spout projection
- 5° adjustable aerator
- Water flow restricted to 1.2 GPM
- Ceramic disc cartridge
- Flexible supply lines
- Handle included

Drain to be ordered separately:  
please select #9865U or #9867U

Finishes:

- Chrome** 31 02 3004WU
- Matte Gun Metal PVD** 31 P5 3004WU
- Brushed Stainless steel** 31 93 3004WU



**Project:**

---



---

**Room:**

---



---

**Date:**

---



---

**Comments:**

---



---



---



---



---



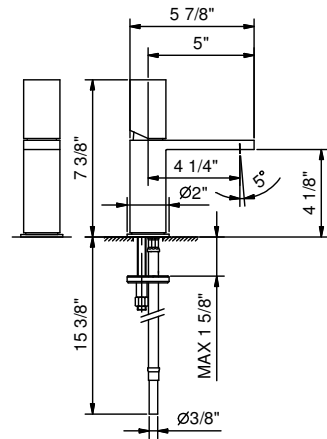
---



---



---



**Certifications/Awards:**

CEC

LEAD  
FREE



CAL  
GREEN