

Art. F021BU+D020AU

In-wall non-thermostatic single-control tub mixer

- 5 1/2" spout projection
- Cylindrical handshower with anti-siphon check valve
- Handshower holder
- 58" vinyl hose
- Handle included
- Diverter
- 5 GPM @ 60 PSI
- Water flow restricted to 1.8 GPM for handshower

Trim

Finishes:

- Chrome** 34 02 F021BU
- Matte Black** 34 13 F021BU
- Brushed Stainless steel** 34 93 F021BU

Rough

Finishes:

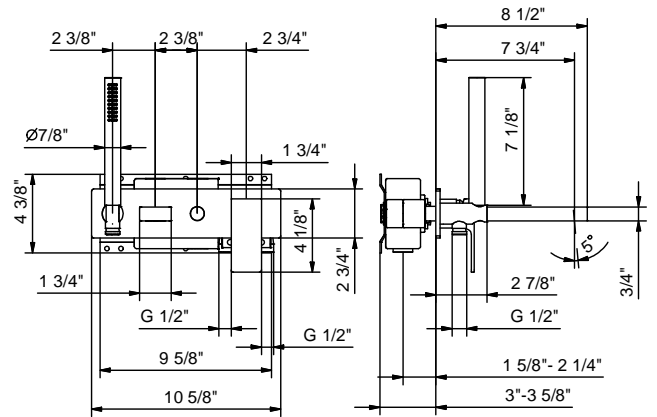
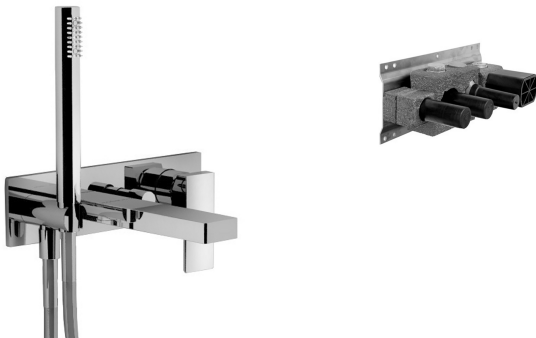
- 22 00 D020AU

Project:

Room:

Date:

Comments:



Certifications/Awards:

