

Art. J107WU

Two-hole washbasin mixer with single-control

- 5 3/4" spout projection
- Without drain
- Progressive cartridge
- Flexible supply lines
- Handle included
- Water flow restricted to 1.2 GPM

Drain to be ordered separately: please select #9865U, #W095U or #W097U.

Finishes:

- Matte Gun Metal PVD** 67 P6 J107WU
- Matte British Gold PVD** 67 P5 J107WU
- Deep Black PVD** 67 S1 J107WU

5 l/min aerator

Pressure (bar)	flow rate (l/min)
0,5	2,34
1	5,09
2	5,1
3	5,38
4	5,39

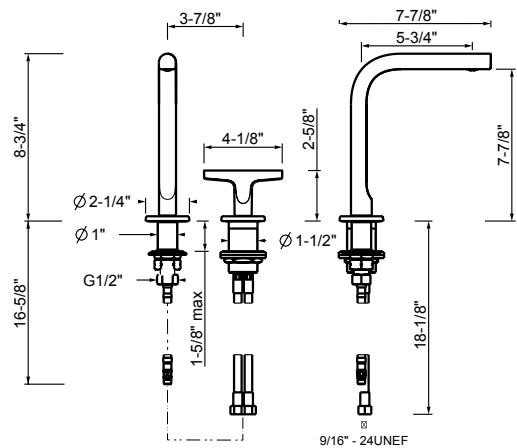


Project:

Room:

Date:

Comments:



Certifications/Awards:

lead∅free