

Art. 0676BU+D276AU

2-Way diverter with integrated volume control

- For remote installation
- 1/2" NPT inlets and outlets
- With shut off valve
- Handle included
- 8.9 GPM @ 60 PSI (primary outlet)
- 7.6 GPM @ 60 PSI (secondary outlet)

To be used with thermostatic valve (#0600BU+#4700AU)

Any RAL color available upon request

Trim

Finishes:

- Matte Black** 60 13 0676BU
- Matte White** 60 29 0676BU
- Red/Chrome** 60 06 0676BU02
- RAL Color** 60 _ 0676BU

Rough

Finishes:

- 19 00 D276AU

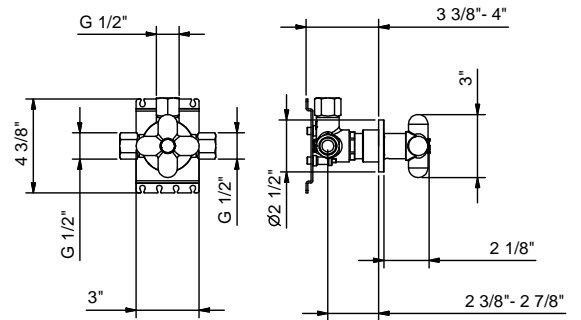


Project:

Room:

Date:

Comments:



Certifications/Awards:

