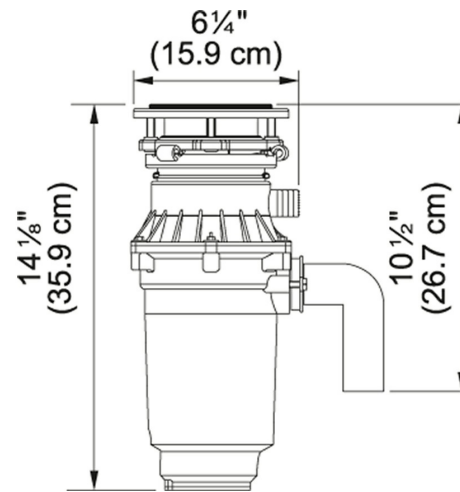


134.0494.977

FAMILY : **Waste Management** | SERIES : **Waste disposers** | FINISH : **other** | INSTALLATION TYPE : **Waste Disposer** |
MODEL : **WDJ75NC**



TECHNICAL DATA

Horse Power 3/4 HP

Waste Disposer

Remarks FKS Continuous Feed models may require Air Switch (several models available) and Controller WD9088

Model Name WDJ75NC
