

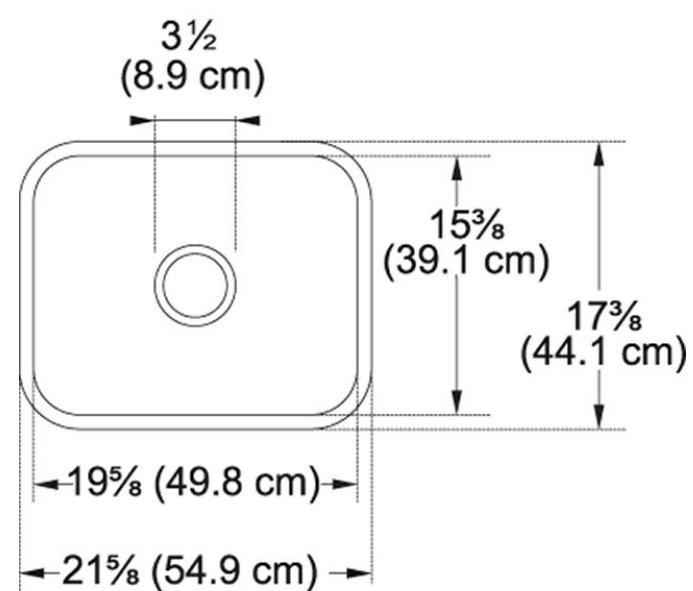
Cisterna CCK110-19 Fireclay White

Cisterna fireclay sinks are created with old world craftsmanship and thoroughly modern materials and technology.

Product Picture



Technical Drawing



Product Dimensions

Length overall	21 5/8"
Width overall	17 3/8"
Length of large bowl	19 5/8"
Width of large bowl	15 3/8"
Depth of large bowl	6 7/8"
Minimum Cabinet Size	27"

General Information

Type of Material	Fireclay
Number of Bowls	1
Installation Clips	Yes
Cut-Out Template	No
Where to buy	Showroom

Article Numbers

FUN#	126.0066.147
US Part Number	CCK110-19WH

