

Shaker Americana

1512-V30 30" Vanity

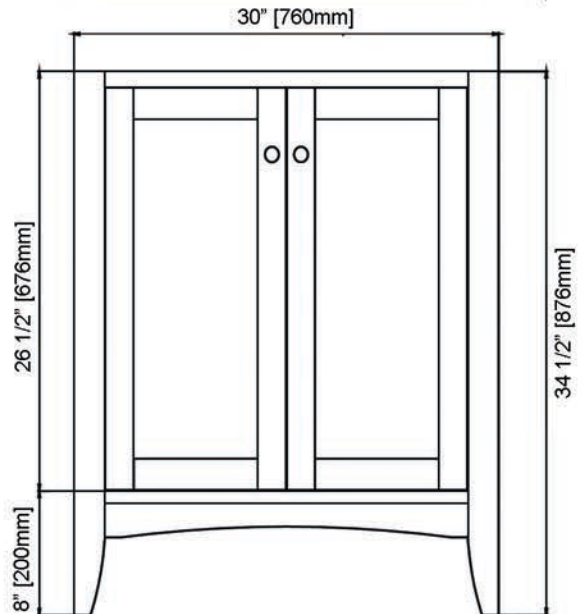
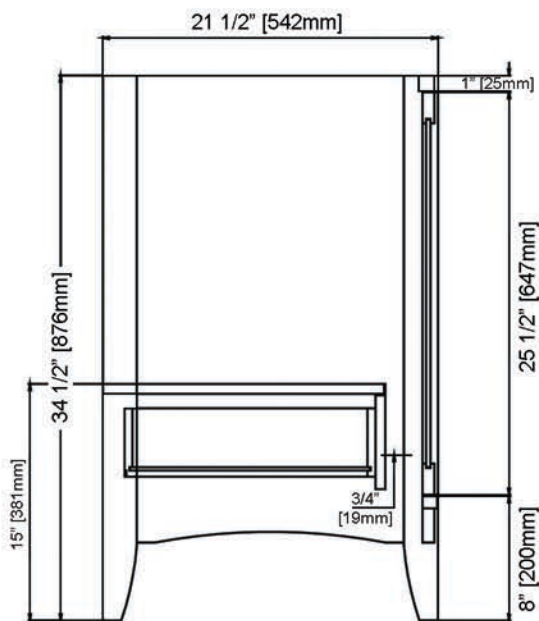
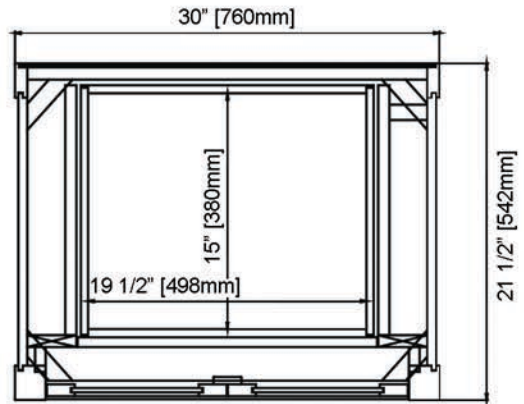
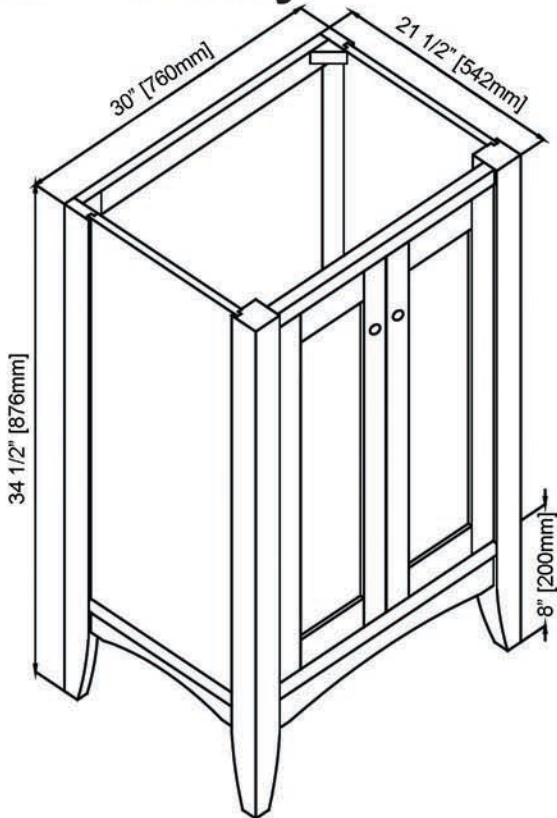
SPECIFICATION SHEET

Features

- Materials: Poplar Solids with Hardwood Veneers
- Doors: 2
- Hinges: Fully concealed, soft closing
- Drawers: 1 (concealed)
- Drawer Box: 1/2" solid pine, four-sided English Dovetail
- Hardware: Brushed Nickel
- Back panel: Fully covered
- Side panels: 5/8" MDF with Hardwood Veneers

Colors / Finish

1512-Polar White



12/12/17