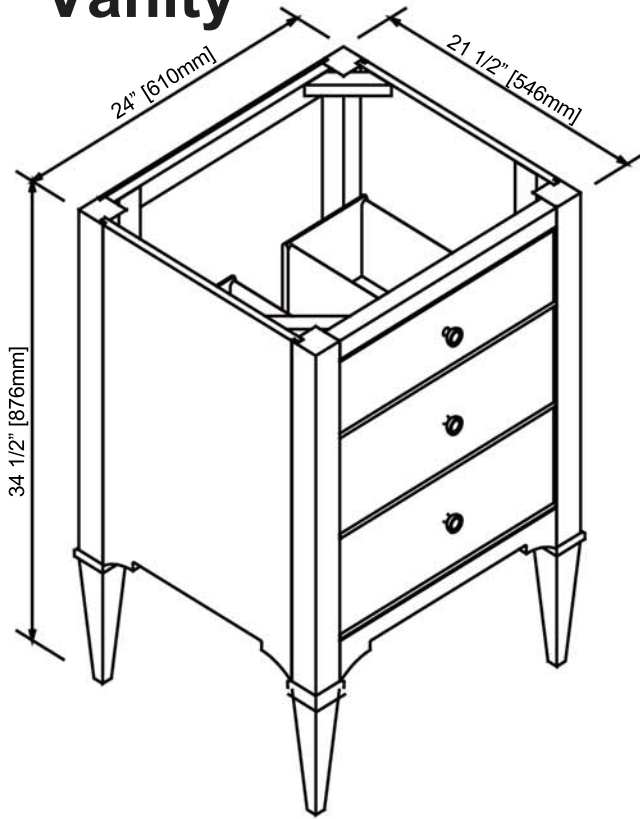


Charlottesville w/Brass

1509-V24 24" Vanity



SPECIFICATION SHEET

Features

- Materials: Poplar Solids with White Oak Veneers
- Drawer: 2
- Drawer Box: 1/2 solid pine, four-sided English Dovetail
- Glides: Undermount, Soft closing
- Hardware: Brass
- Back panel: Fully covered
- Side panels: 5/8" MDF with White Oak Veneers

Colors / Finish

1509-Polar White

