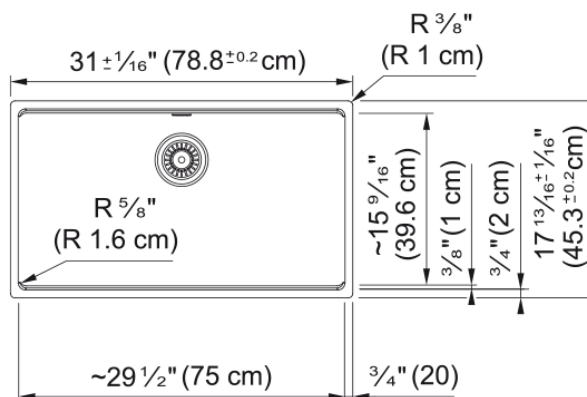


# Maris Undermount Sink - MAG11029-MBK | 125.0687.093



## Technical Data

### Aspect

Sink type	Sink
Type of material	Granite
Number of bowls	1
Color	Matte black
Finish	None

### Product Dimensions

Exterior size: right to left	31.008
Exterior size: front to back	17.843
Large bowl size: right to left	29.449
Large bowl size: front to back	15.512
Large bowl: depth	9.488

### Installation

Minimum cabinet size	36"
----------------------	-----

### Product specifications

Installation type	Undermount
Drain hole	3 1/2"
Position of drainer	No drainer

### Product identification

Product brand	FRANKE
Product family	Maris
Collection	Maris
Certified by	IAPMO

### Features

Drainers number	No drainer
Product reversibility	No
Faucet ledge	No
Strainer assembly included	No

## Features

Strainer assembly type	No waste kit
Overflow	No
Number of faucet holes	No faucet hole
Soap dispenser hole	No