

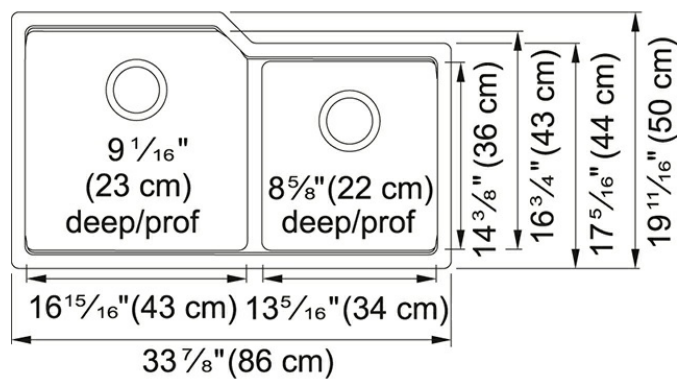
Urban UBG120-32ONY Granite Onyx

Franke Urban granite sinks bring ultra-modern design to a durable sink that is perfect for today's home chef. Made of granite, a blend of quartz and acrylic resin, Franke Urban sinks are easy-to-clean, scratch resistant and impact resistant to retain its new appearance for years. With an extensive color palette and a variety of sizes, Urban is sure to fit your space and your style.

Product Picture



Technical Drawing



Product Dimensions

| | |
|----------------------|---------------------|
| Length overall | $33\frac{7}{8}$ " |
| Width overall | $19\frac{11}{16}$ " |
| Length of large bowl | $16\frac{15}{16}$ " |
| Width of large bowl | $16\frac{3}{4}$ " |
| Depth of large bowl | $9\frac{1}{16}$ " |
| Length of small bowl | $13\frac{5}{16}$ " |
| Width of small bowl | $14\frac{3}{8}$ " |
| Depth of small bowl | $8\frac{5}{8}$ " |
| Minimum Cabinet Size | 36" |

Article Numbers

| | |
|------|--------------|
| FUN# | 125.0627.123 |
|------|--------------|

