

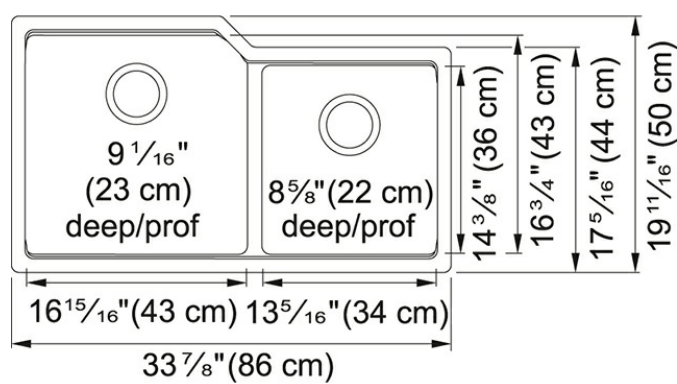
Urban UBG120-32MOC Granite Mocha

Franke Urban granite sinks bring ultra-modern design to a durable sink that is perfect for today's home chef. Made of granite, a blend of quartz and acrylic resin, Franke Urban sinks are easy-to-clean, scratch resistant and impact resistant to retain its new appearance for years. With an extensive color palette and a variety of sizes, Urban is sure to fit your space and your style.

Product Picture



Technical Drawing



Product Dimensions

Length overall	$33\frac{7}{8}$ "
Width overall	$19\frac{11}{16}$ "
Length of large bowl	$16\frac{15}{16}$ "
Width of large bowl	$16\frac{3}{4}$ "
Depth of large bowl	$9\frac{1}{16}$ "
Length of small bowl	$13\frac{5}{16}$ "
Width of small bowl	$14\frac{3}{8}$ "
Depth of small bowl	$8\frac{5}{8}$ "
Minimum Cabinet Size	36"

Article Numbers

FUN#	125.0627.122
------	--------------

