

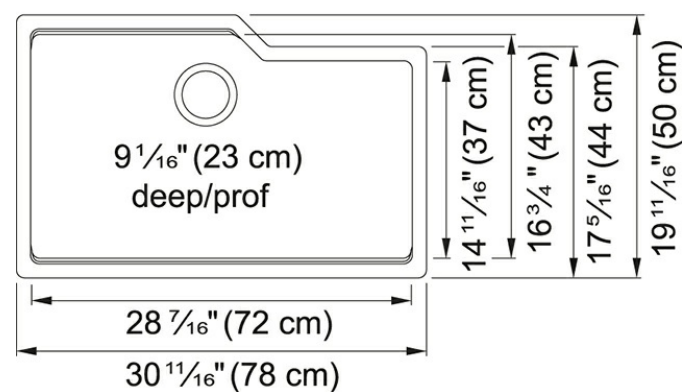
Urban UBG110-28STO Granite Storm

Franke Urban granite sinks bring ultra-modern design to a durable sink that is perfect for today's home chef. Made of granite, a blend of quartz and acrylic resin, Franke Urban sinks are easy-to-clean, scratch resistant and impact resistant to retain its new appearance for years. With an extensive color palette and a variety of sizes, Urban is sure to fit your space and your style.

Product Picture



Technical Drawing



Product Dimensions

| | |
|----------------------|-----------|
| Length overall | 30 11/16" |
| Width overall | 19 11/16" |
| Length of large bowl | 28 7/16" |
| Width of large bowl | 16 3/4" |
| Depth of large bowl | 9 1/16" |
| Minimum Cabinet Size | 36" |

General Information

| | |
|------------------|---------|
| Type of Material | Granite |
| Number of Bowls | 1 |

Article Numbers

| | |
|------|--------------|
| FUN# | 125.0627.117 |
|------|--------------|

