

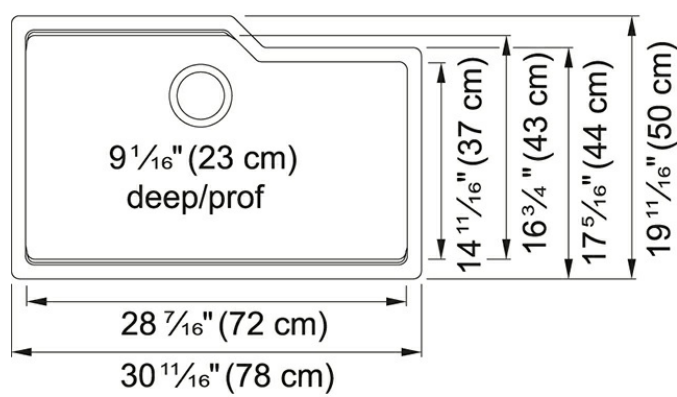
## Urban UBG110-28MOC Granite Mocha

Franke Urban granite sinks bring ultra-modern design to a durable sink that is perfect for today's home chef. Made of granite, a blend of quartz and acrylic resin, Franke Urban sinks are easy-to-clean, scratch resistant and impact resistant to retain its new appearance for years. With an extensive color palette and a variety of sizes, Urban is sure to fit your space and your style.

Product Picture



Technical Drawing



Product Dimensions

Length overall	30 11/16"
Width overall	19 11/16"
Length of large bowl	28 7/16"
Width of large bowl	16 3/4"
Depth of large bowl	9 1/16"
Minimum Cabinet Size	36"

General Information

Type of Material	Granite
Number of Bowls	1

Article Numbers

FUN#	125.0627.114
------	--------------

