

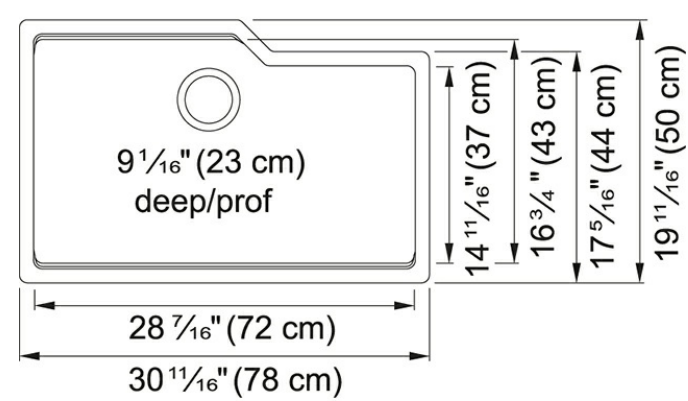
Urban UBG110-28MBK Granite Matte Black

Franke Urban granite sinks bring ultra-modern design to a durable sink that is perfect for today's home chef. Made of granite, a blend of quartz and acrylic resin, Franke Urban sinks are easy-to-clean, scratch resistant and impact resistant to retain its new appearance for years. With an extensive color palette and a variety of sizes, Urban is sure to fit your space and your style.

Product Picture



Technical Drawing



Product Dimensions

Length overall	$30 \frac{11}{16}$ "
Width overall	$19 \frac{11}{16}$ "
Length of large bowl	$28 \frac{7}{16}$ "
Width of large bowl	$16 \frac{3}{4}$ "
Depth of large bowl	$9 \frac{1}{16}$ "
Minimum Cabinet Size	36"

General Information

Type of Material	Granite
Number of Bowls	1

Article Numbers

FUN#	125.0637.117
US Part Number	UBG110-28MBK

