

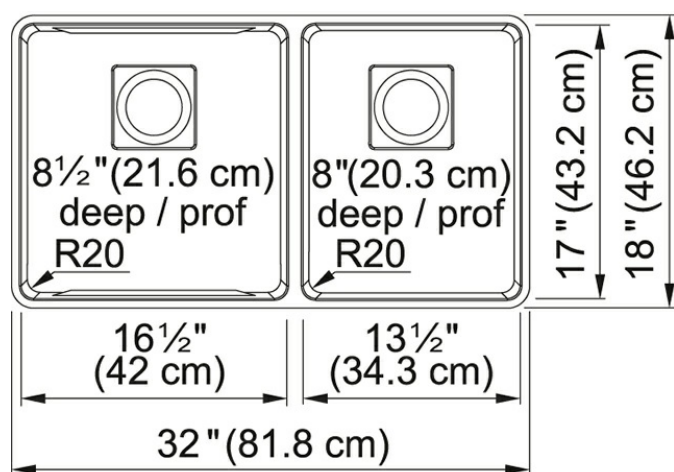
Pescara PTX160-31 Stainless Steel

Pescara delivers timeless appeal by evoking Italian traditions and artisan culture. The essential lines and generous dimensions create a refined oasis and luxurious atmosphere, for the ultimate livable kitchen. A complete selection of accessories maximizes the efficiency of the Pescara sink with the same level of detail and quality Franke is known for.

Product Picture



Technical Drawing



Product Dimensions

| | |
|----------------------|---------|
| Length overall | 32" |
| Width overall | 18" |
| Length of large bowl | 16 1/2" |
| Width of large bowl | 17" |
| Depth of large bowl | 8 1/2" |
| Length of small bowl | 13 1/2" |
| Width of small bowl | 17" |
| Depth of small bowl | 8" |
| Minimum Cabinet Size | 36" |

General Information

| | |
|------------------|--------------------------|
| Type of Material | 18 Gauge Stainless Steel |
| Number of Bowls | 2 |
| Faucet Hole | None |
| Cut-Out Template | Yes |
| Where to buy | Showroom |

Article Numbers

| | |
|----------------|--------------|
| FUN# | 122.0638.279 |
| US Part Number | PTX160-31 |

