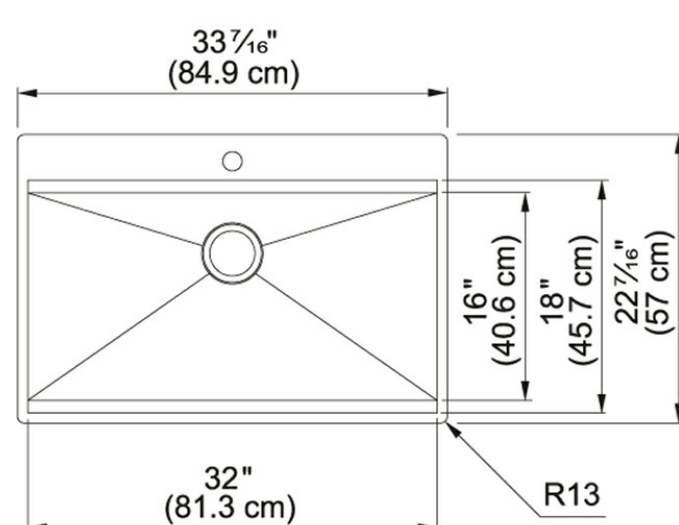


Vector HFVC3322-1 Stainless Steel

Product Picture



Technical Drawing



Product Dimensions

Length overall	31 7/8"
Width overall	16 1/8"
Length of large bowl	30 13/16"
Width of large bowl	16 1/8"
Depth of large bowl	9 1/16"
Minimum Cabinet Size	35 7/16"

General Information

Type of Material	Stainless Steel
Number of Bowls	1

Article Numbers

FUN#	127.0574.742
US Part Number	HFVC3322-1

