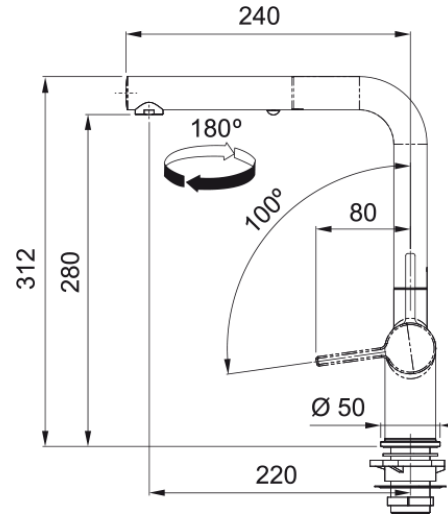


Active Pull-Out Faucet - ACT-PO-CHA | 115.0656.852



Technical Data

Aspect

| | |
|--------------------------------|---------------------|
| Spout type | L - spout |
| Color | Bi-chrome/champagne |
| Type of material | Brass |
| Flexible pullout hose material | Nylon grey |
| Spray head material | Brass |

Product Dimensions

| | |
|----------------------|-------|
| Faucet hole diameter | 35 mm |
| Cartridge dimension | 35 mm |

Installation

| | |
|------------------------------|--------|
| Mounting type | Shank |
| Water supply hose connection | 1/2" |
| Water supply hose length | 450 mm |

Product specifications

| | |
|------------------|----------------|
| Pressure | High pressure |
| Faucet type | Pull-out spray |
| Faucet operation | Side lever |
| Faucet rotation | 180° |

Product identification

| | |
|----------------|--------|
| Product brand | FRANKE |
| Product family | Maris |
| Collection | Active |

Features

| | |
|----------------------|---------|
| Water saving feature | Yes |
| Type of aerator | Laminar |

Features

