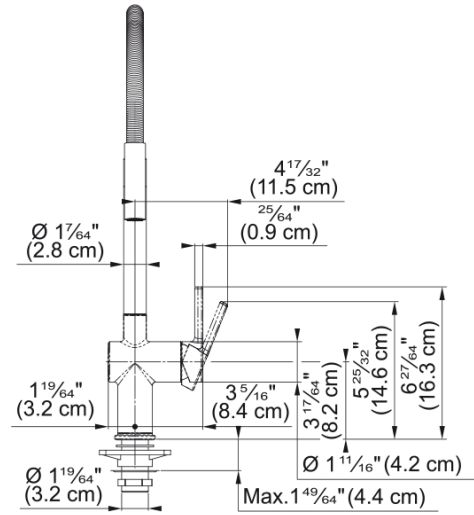


Active Semi-Pro Faucet - ACT-SP-CHR | 115.0688.968



Technical Data

Aspect

Spout type	S - semi-professional
Color	Polished chrome
Type of material	Brass
Flexible pullout hose material	Metal
Spray head material	Brass

Product Dimensions

Faucet hole diameter	35 mm
Cartridge dimension	35 mm

Installation

Mounting type	Shank
Water supply hose connection	3/8"
Water supply hose length	800 mm

Product specifications

Pressure	High pressure
Faucet type	Spray and stream
Faucet operation	Side lever
Faucet rotation	180°

Product identification

Product brand	FRANKE
Product family	Mythos
Collection	Active

Features

Water saving feature	Yes
Type of aerator	Honeycomb

Features

