

FRIGIDAIRE GALLERY

GCRE3038AD
GCRE3038AF

Electric Ranges

Available Colors : Black Stainless Steel, Stainless Steel

30" Freestanding Electric Range with Steam Clean

Version : 04/20



Product Specifications

Cooking Controls

Bake	Yes
Broil	Yes
Cancel	Yes
Delay Clean	Yes
Display Type	Membrane
Door Lock	Yes
Keep Warm	No
Lockout	Yes
My Favorite	No
Preheat	Integrated with Bake
Probe	No
Quick Bake	Yes
Quick Preheat	No
Steam Clean	Yes
Temperature Display	Yes
Timer	Yes

Oven

Bake	3500 Watts
Baking System	Even Baking Technology
Broil	3900 Watts
Broil System	Vari-Broil™ High/Low
Hidden Bake Element	Yes
Oven 1 Convection System	Quick Bake
Oven 1 Interior Color	Slate Blue
Oven 1 Interior Depth	19-1/8"
Oven 1 Interior Height	19-3/4"
Oven 1 Interior Width	24-3/8"
Oven 1 Rack Configuration	2 Standard
Oven 1 Rack Positions	7 positions
Oven 1 Type	Main
Oven 1 Window	Extra-Large Visualite®
Hidden Bake Element	Yes

Electrical Specifications

Minimum Circuit Required (Amps)	40A
Voltage Rating	240V / 208V 60Hz

Accessories

Probe	No
-------	----

Certifications & Approvals

ANSI Certified	Yes
Agency Approval	UL
CSA Certified	Yes
CSA Listed	Yes
ETL Listed	No
NSF® Certified	No
UL Listed	1-UL Listed

General Specifications

Adjustable Leveling Legs	4 Adjustable
Power Cord Included	No
Prop 65 Label	Yes
Reconditioned	No

Controls

Auto Shut-Off	Yes - 12 Hours
Display Type	Digital (White LED)

Cooktop

Center Rear	100 Watts (Keep Warm)
Cooking Surface	Black Ceramic Glass
Element On Indicator Light	1 Clear
Hot-Surface Indicator Light	1 Clear
Knob Color	Color-Coordinated
Knob Type	Plastic CC
Left Front	9" - 3200 Watts
Left Rear	6" - 1200 Watts
Right Front	6/12" - 1200/3200 Watts
Right Rear	6" - 1200 Watts
Warm & Serve Zone Light	1 Clear

Exterior

Cabinet Color	Color-Coordinated
Cooktop Finish	Color-Coordinated Porcelain
Drawer Finish	Stainless Steel Smudge-Proof

Drawer

Drawer Functionality	Storage
----------------------	---------

Dimensions: Exterior

Depth	25-3/4"
Depth (with Door 90° Open)	49"
Depth Including Handle	29-1/4"
Height	48 1/2"
Width	30"

Capacities

Total Capacity	5.4
----------------	-----

Note: For planning purposes only. Always consult local and national electric, gas and plumbing codes. Refer to Product Installation Guide for detailed installation instructions on the web at frigidaire.com / frigidaire.ca. Specifications subject to change. Accessories informat n the web at frigidaire.com / frigidaire.ca

FRIGIDAIRE

USA • 10200 David Taylor Drive • Charlotte, NC 28262 • 1-800-FRIGIDAIRE • frigidaire.com
CANADA • 5855 Terry Fox Way • Mississauga, ON L5V 3E4 • 1-800-265-8352 • frigidaire.ca

FRIGIDAIRE GALLERY

GCRE3038AD
GCRE3038AF

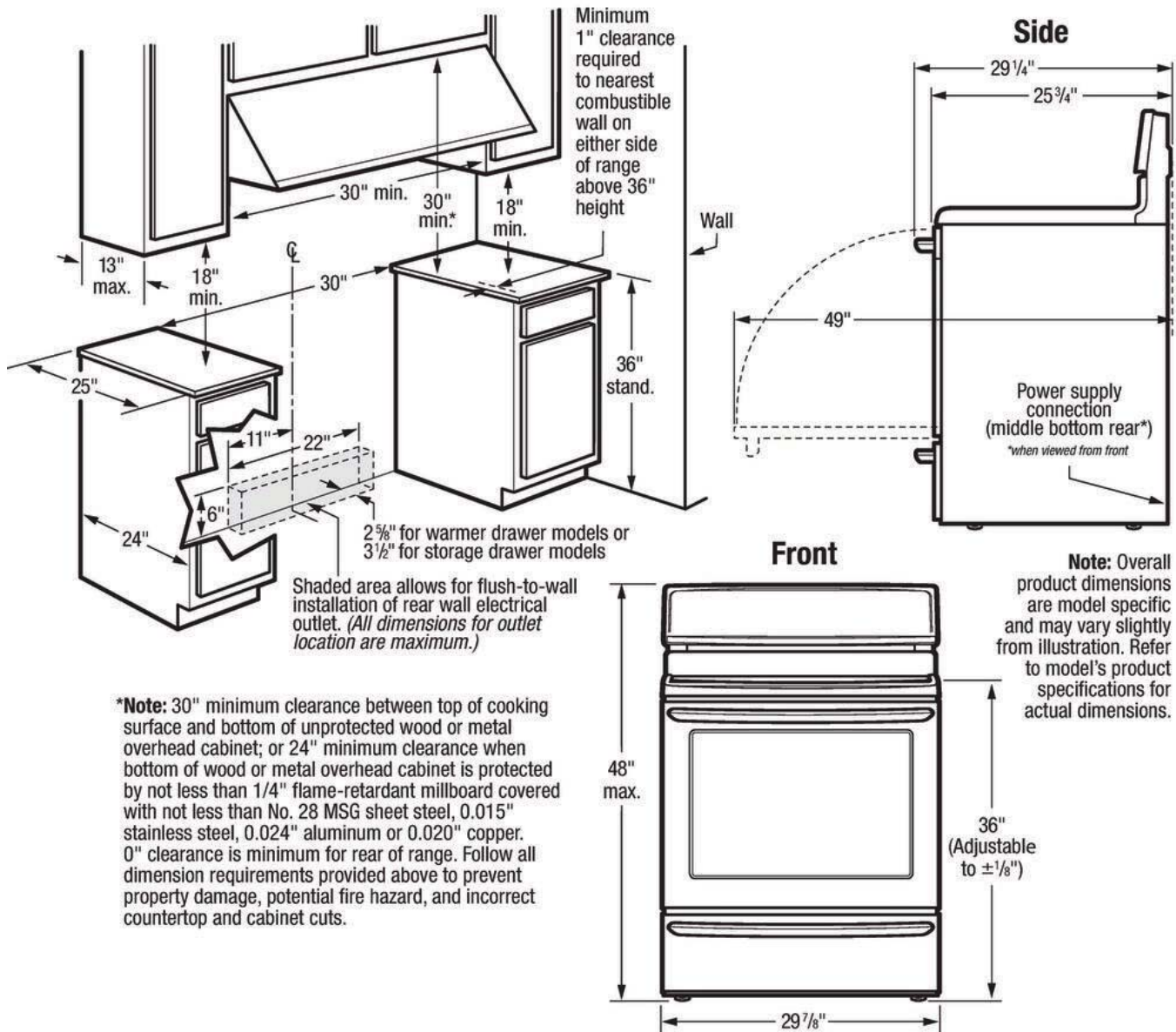
Electric Ranges

Available Colors : Black Stainless Steel, Stainless Steel

30" Freestanding Electric Range with Steam Clean

Version : 04/20

Installation Drawing



***Note:** 30" minimum clearance between top of cooking surface and bottom of unprotected wood or metal overhead cabinet; or 24" minimum clearance when bottom of wood or metal overhead cabinet is protected by not less than 1/4" flame-retardant millboard covered with not less than No. 28 MSG sheet steel, 0.015" stainless steel, 0.024" aluminum or 0.020" copper. 0" clearance is minimum for rear of range. Follow all dimension requirements provided above to prevent property damage, potential fire hazard, and incorrect countertop and cabinet cuts.

Note: For planning purposes only. Always consult local and national electric, gas and plumbing codes. Refer to Product Installation Guide for detailed installation instructions on the web at frigidaire.com/frigidaire.ca.

Specifications subject to change. Accessories information available on the web at frigidaire.com/frigidaire.ca

FRIGIDAIRE

USA • 10200 David Taylor Drive • Charlotte, NC 28262 • 1-800-FRIGIDAIRE • frigidaire.com
CANADA • 5855 Terry Fox Way • Mississauga, ON L5V 3E4 • 1-800-265-8352 • frigidaire.ca