

FRIGIDAIRE

PROFESSIONAL®

FPBS2778UF

FRENCH DOOR REFRIGERATOR

26.7 CU. FT.

Smudge-Proof™
STAINLESS STEEL



AVAILABLE
COLORS



Stainless

PRODUCT DIMENSIONS

Height (Cabinet Including Hinge)	69-7/8"
Width	36"
Depth (Including Door)	32"

MORE EASY-TO-USE FEATURES

Full-Width Deli Drawer

Easily store anything from meats and cheeses to sheet cakes and large platters in our fully-extendable, large capacity deli drawer.

Multi-level LED Lighting

Find fresh foods quickly with bright multi-level LED Lighting.

EvenTemp™ Cooling System

Our EvenTemp™ cooling system keeps food cool without breaking a sweat, distributing air effectively so groceries stay at the right temperature.

SpaceWise® Freezer Organization System

Our SpaceWise® Freezer Organization System keeps frozen foods organized and accessible with deep freezer storage and an adjustable divider.

Exterior Water and Ice Dispenser

Easily access fresh drinking water and cold ice without opening your refrigerator or freezer.

PureSource Ultra® II Ice & Water Filtration

Remove 99.3% of lead and 99.9% of cysts from your household water with a genuine water filter.

Dual Ice

Be ready for any occasion with two ice makers.

PureAir Ultra® II Air Filter

Fresh air offers great taste. Our PureAir Ultra® II air filters effortlessly keep the food in your refrigerator tasting fresh by removing odor particles with fast-acting, highly absorbent carbon technology.

SIGNATURE FEATURES



SpaceWise® Organization System

Our SpaceWise® Organization System makes it easy to keep food organized and accessible, with a flip-up shelf to fit taller items with ease, plus adjustable door bins and shelves that offer storage capacity and flexibility.



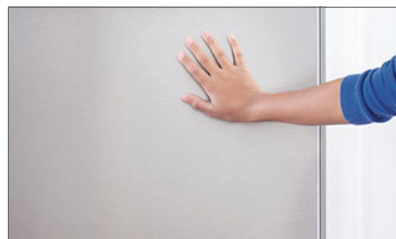
CrispSeal™ Crispers

Humidity-controlled CrispSeal™ crispers keep produce fresher longer, so you can waste less and save money.



Professional-Grade Design

Durable hardware and professional-grade design features including smoky door bins, door bin liners, edge-to-edge glass shelving with metallic trim, and a distinctive handle lend a high-quality look to your kitchen.



Smudge-Proof™ Stainless Steel

Resists fingerprints and cleans easily.

FPBS2778UF FRENCH DOOR REFRIGERATOR

26.7 CU. FT.

FRIGIDAIRE
PROFESSIONAL

FEATURES

Door Design	Square Doors
Door Handle Design	Stainless Steel
Cabinet Finish	Gray
Door Stops / Door Closers	No / Yes
Door Hinge Covers	Hidden
Rollers - Front / Rear	Adjustable / Yes
Energy Saver Plus Technology	
Water Filter Location	Top-Right Fresh Food Section
Sound Package	Quiet Design

DISPENSER

Controls	LED Controls
Dispenser Design	Flush, Single-Paddle
User Interface Buttons	4 Dispenser / 11 Side Control
Crushed Ice / Cube Ice / Water	Yes/Yes/Yes
Ice Option / Freeze Option	No / PowerPlus® Freeze
Display On / Off Option	
Lock / Light	No / Yes
Temp / Door Ajar / Power Failure Alerts	Yes / Yes / Yes
Water Filter Change Indicator Light	Yes
Air Filter Change Indicator Light	Yes

REFRIGERATOR FEATURES

Lighting	Multi-Level LED
Water Filter Type	PureSource Ultra® II
Air Filter Type	PureAir Ultra® II
Flip-Up Shelves	1
Half-Width Fixed Shelves	3
Quarter-Width Sliding Shelves	
Cantilever Shelves	Yes
Full-Width Deli Drawer	1
Wine Rack / Can Dispenser	Yes/Yes
CrispSeal™ Crispers with Humidity Control	2
Dairy Compartment	1 Smoky (Right Door)
Gallon Fixed Door Bins	2 Smoky (1 per Door)
2-Liter Fixed Door Bins	1 Smoky
Gallon Adjustable Door Bins	2 Smoky
2-Liter Adjustable Door Bins	
Dispenser Bin	
Non-Slip Bin Liner / Bottle Retainers	5 Gray / No

FREEZER FEATURES

Effortless® Glide Freezer Drawer	Yes
Sliding Full-Width Freezer Baskets	1
Basket Dividers	2 (Upper and Lower Basket)
Lighting	LED
Automatic Ice Maker (2nd Ice Maker)	Yes

CERTIFICATIONS

Sabbath Mode (Star-K® Certified)	Yes
----------------------------------	-----

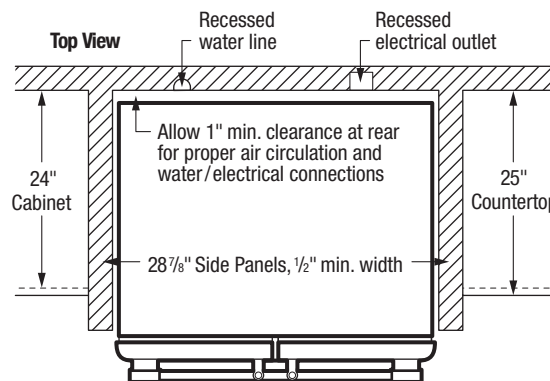
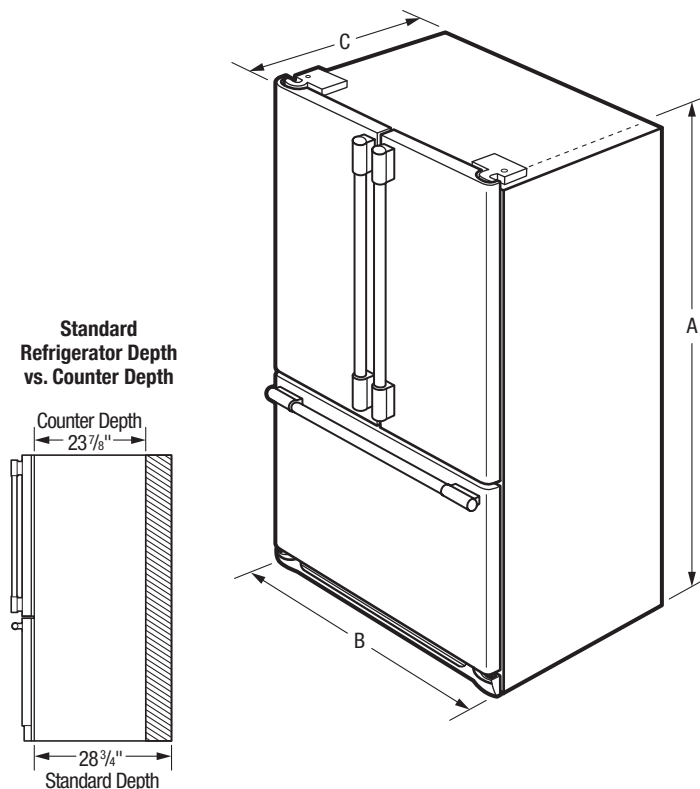
SPECIFICATIONS

Total Capacity (Cu. Ft.)	26.7
Refrigerator Capacity (Cu. Ft.)	18.0
Freezer Capacity (Cu. Ft.)	8.7
Power Supply Connection Location	Right Bottom Rear
Water Inlet Connection Location	Left Bottom Rear
Voltage Rating	120V / 60Hz / 15A
Connected Load (kW rating) @ 120 Volts ¹	1.02
Amps @ 120 Volts	8.5
Minimum Circuit Required (Amps)	15
Shipping Weight (Approx.)	365 Lbs.

¹For use on adequately wired 120V, dedicated circuit having 2-wire service with a separate ground wire. Appliance must be grounded for safe operation.

PRODUCT DIMENSIONS

A - Height (Incl. Hinges & Rollers)	69-7/8"
B - Cabinet Width / Door Width	35-5/8" / 36"
C - Depth (Incl. Door)	32"
Depth with Door Open 90°	47-3/8"
Depth with Drawer Fully Extended (Incl. Handle)	54-3/8"



Note: For planning purposes only. Always consult local and national electric, gas and plumbing codes. Refer to Product Installation Guide for detailed installation instructions on the web at frigidaire.com / frigidaire.ca. Specifications subject to change. Accessories information available on the web at frigidaire.com / frigidaire.ca

FRIGIDAIRE

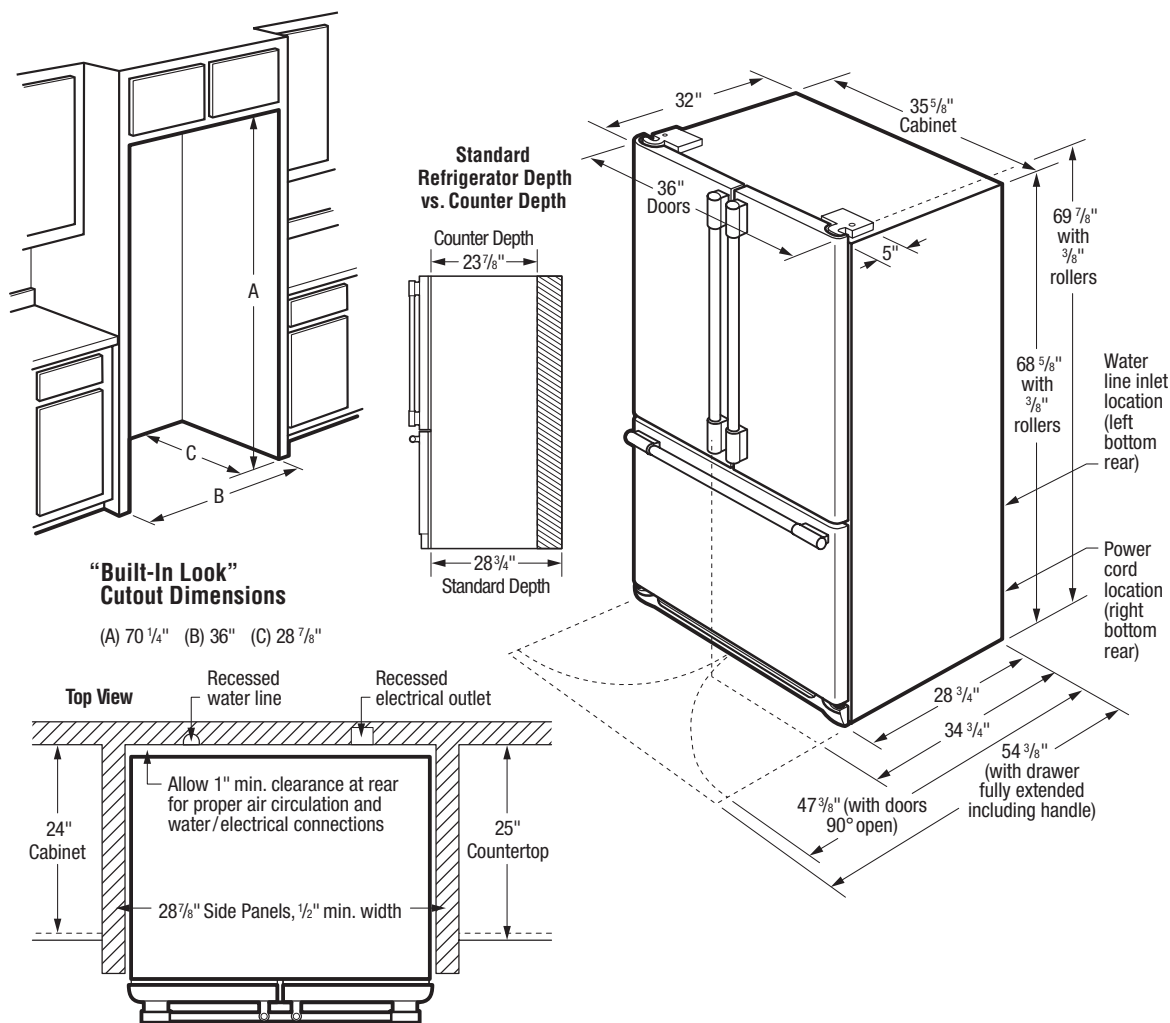
USA • 10200 David Taylor Drive • Charlotte, NC 28262 • 1-800-FRIGIDAIRE • frigidaire.com
CANADA • 5855 Terry Fox Way • Mississauga, ON L5V 3E4 • 1-800-265-8352 • frigidaire.ca

FPBS2778UF 9/18
© 2018 Electrolux Home Products, Inc.

FPBS2778UF FRENCH DOOR REFRIGERATOR

26.7 CU. FT.

FRIGIDAIRE
PROFESSIONAL



INSTALLATION SPECIFICATIONS

- Product Shipping Weight (approx.) – 365 Lbs.
- An electrical supply with grounded three-prong receptacle is required. The power supply circuit must be installed in accordance with current edition of National Electrical Code (NFPA 70) and local codes & ordinances.
- Voltage Rating – 120V / 60 Hz / 15 Amps
- Connected Load (kW Rating) @ 120 Volts = 1.02 kW
- Amps @ 120 Volts = 8.5 Amps
- Always consult local and national electric & plumbing codes.
- Floor should be level surface of hard material, capable of supporting fully loaded refrigerator.
- Minimum 3/8" clearance required for sides and top of refrigerator or freezer with 1" clearance at rear to allow for ease of installation, proper air circulation, and plumbing / electrical connections.
- When installing refrigerator adjacent to wall, cabinet or other appliance that extends beyond front edge of unit, 20" minimum clearance recommended to allow for optimum 120° to 180° door swing, providing complete drawer / crisper access and removal. (Absolute 4-1/2" minimum clearance will ONLY allow for 90° door swing which will provide drawer / crisper access with restricted removal.) Minimum 3/8" clearance required for sides and top of refrigerator or freezer with 1" clearance at rear to allow for ease of installation, proper air circulation, and plumbing/electrical connections.
- To ensure optimum performance, (do not install in areas where temperature drops below 55° F or rises above 110° F) and avoid installing in direct sunlight or close proximity to range, dishwasher or other heat source.
- Refrigerator must be placed on level surface of hard material, same height as flooring. Surface must support approximately 800 lbs. when fully loaded. Unit equipped with 4-point leveling.
- For proper ventilation, front grille MUST remain unobstructed.
- Recess electrical outlet when possible.
- Water recess on rear wall recommended to prevent water line damage.
- Water Pressure – Cold water line must provide between 30 and 100 pounds per square inch (psi).
- Copper or stainless steel tubing with 1/4" O.D. recommended for water supply line with length equal to distance from rear of unit to household water supply line plus 7 additional feet. Optional Water Supply Installation Kits available.
- Adjustable front rollers to assist with door alignment.

“BUILT-IN LOOK” SPECIFICATIONS

- Minimum opening of 70-1/4" H x 36" W x 28-7/8" D required to allow for ease of installation, proper air circulation, and plumbing / electrical connections.
- Remove all wall / floor molding prior to installation.



FRIGIDAIRE

USA • 10200 David Taylor Drive • Charlotte, NC 28262 • 1-800-FRIGIDAIRE • frigidaire.com
CANADA • 5855 Terry Fox Way • Mississauga, ON L5V 3E4 • 1-800-265-8352 • frigidaire.ca

Note: For planning purposes only. Always consult local and national electric, gas and plumbing codes. Refer to Product Installation Guide for detailed installation instructions on the web at frigidaire.com / frigidaire.ca. Specifications subject to change. Accessories information available on the web at frigidaire.com / frigidaire.ca

FPBS2778UF 9/18
© 2018 Electrolux Home Products, Inc.