

FRIGIDAIRE GALLERY

FGET2766U F/D

DOUBLE WALL OVEN 27" ELECTRIC

Smudge-Proof
STAINLESS STEEL

Smudge-Proof
BLACK STAINLESS STEEL



AVAILABLE COLORS



Black
Stainless



Stainless

PRODUCT DIMENSIONS

Height (Max.) 50-7/8"

Width 27"

Depth (Incl. Handle) 24-3/4"

MORE EASY-TO-USE FEATURES

Cleanup is Easy with Hidden Bake

Lower heating elements are beneath the oven floor, making for a smooth surface that is easy to clean.

Smudge-Proof® Stainless Steel

Resists fingerprints and cleans easily. Available in Stainless Steel and Black Stainless Steel finishes.

Easily Access Dishes with our Glide Rack

Rack easily glides in and out allowing you to access dishes from your oven.

Oven Rack Handles

Oven racks are designed with space for you to easily pull out the racks, even when wearing an oven mitt.

Easy to Clean with Self-Cleaning

Your oven cleans itself - so you don't have to. Self clean options available in 2, 3, and 4-hour cycles.

Even Baking Technology

Our Even Baking Technology ensures even baking every time.

Vari-Broil™ Temperature Control

Allows you to choose between two heat levels.

CERTIFICATIONS

Star-K® Certified (*Sabbath Mode*)

SIGNATURE FEATURES



Faster, More Even Baking Results with True Convection

Get faster, more even multi-rack baking with a powerful convection fan and third heating element that evenly circulates hot air throughout the oven.



Effortless™ Temperature Probe

The Effortless™ Temperature Probe detects and alerts when the desired finished cooking temperature has been reached and automatically switches to the keep warm setting (upper oven only).



Quick Preheat

Preheat in just a few minutes.¹

FRIGIDAIRE
FIT PROMISE

Frigidaire Fit Promise

We promise that your new 27" or 30" Frigidaire® single or double wall oven will fit your existing cabinet cutout of the same width and configuration, or we will reimburse you for installation costs up to \$300.*

* Via mail-in rebate. See Frigidaire.com/FitPromise for additional information.

¹ Based on single rack cooking performance, not set temperature, using Quick Preheat.

FGET2766U F/D DOUBLE WALL OVEN

27" ELECTRIC

FRIGIDAIRE
GALLERY

FEATURES

Control/Timing System	Express-Select® Controls
Window	Extra-Large
Exterior Door Finish	Smudge-Proof® Stainless Steel (F), Smudge-Proof® Black Stainless (D)
Handle Design	Stainless Steel (F), Black Stainless (D)
Oven Cleaning System	Self-Clean w/ Steam Clean Option

OVEN CONTROLS

Bake/Broil	Yes / Variable (400 - 550 °F)
Effortless™ Convection Conversion	Yes
Convection Bake / Broil / Roast	Yes / Yes / Yes
Oven Preheat	Quick
My Favorite	
Slow Cook	
Effortless™ Temperature Probe	Yes
Pizza Button	
Keep Warm	Yes
Add-a-Minute	Yes
Delay Start	Yes
Self-Clean / Clean Options	Yes/2, 3 4 Hours
Steam Clean	Yes
Delay Clean	Yes
Kitchen Timer / Timed Cook Option	Yes/Yes
Control Lock	Yes
Auto Oven Shut-Off	6 Hours
Oven Lock-Out	Yes

UPPER OVEN FEATURES

Capacity (Cu.Ft.)	3.8
Convection System	True Convection
Oven Light	2 Halogen
Hidden Bake Element	Yes
Rack Configuration	2 Heavy Duty / 1 Offset Rack
Baking System	Even Baking Technology
Broiling System	Power Broil
Bake / Broil Element (Watts)	2,500/4,000

LOWER OVEN FEATURES

Capacity (Cu.Ft.)	3.1
Convection System	True Convection
Oven Light	2 Halogen
Hidden Bake Element	Yes
Rack Configuration	3 Heavy Duty
Baking System	Even Baking Technology
Broiling System	Power Broil
Bake / Broil Element (Watts)	2,500/4,000

OPTIONAL ACCESSORIES

3"-High Bottom Trim - Black Stainless (D) / Stainless Steel (F)	(D) PN# 5304520622 (F) PN # 5304520626
10'-Long Armored Power Cable	PN # 903056-9010

CERTIFICATIONS

A.D.A. Compliant ¹	Yes
Star-K® Certified (Sabbath Mode)	Yes

SPECIFICATIONS

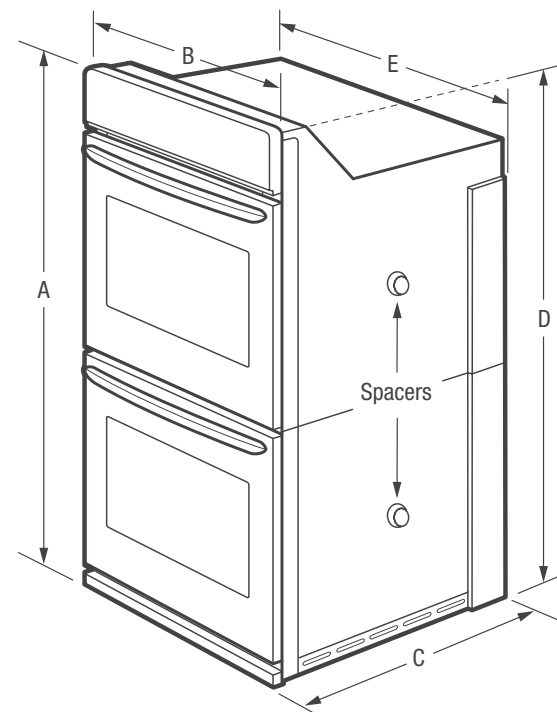
Oven Interior (H x W x D)	17" x 20-1/2" x 18-3/4"
Power Supply Connection Location	Left Bottom Rear
Voltage Rating	240V / 208V / 60Hz
Connected Load (kW Rating) @ 240 / 208 Volts ²	9 / 6.8
Amps @ 240 / 208 Volts	37.5/32.7
Minimum Circuit Required (Amps)	40
Shipping Weight (Approx.)	235 Lbs.

PRODUCT DIMENSIONS

A - Height	50-7/8"
B - Width	27"
C - Depth	24-3/4"
D - Height (Wrapper)	48-5/8"
E - Width (Wrapper)	28-1/4"
Depth with Door Open 90°	45-3/4"

CABINET CUTOUT DIMENSIONS

Height (Min.) / (Max.)	48-7/8" / 49-7/8"
Width (Min.) / (Max.)	24-7/8" / 25-1/4"
Depth (Min.)	24"



¹ When properly installed, this model is A.D.A.-qualified based on the United States Access Board's A.D.A./A.B.A. Accessibility Guidelines and the Department of Justice's 2010 A.D.A. Standards for Accessible Design.

Note: For planning purposes only. Always consult local and national electric, gas and plumbing codes. Refer to Product Installation Guide for detailed installation instructions on the web at frigidaire.com / frigidaire.ca. Specifications subject to change. Accessories information available on the web at frigidaire.com / frigidaire.ca

FRIGIDAIRE

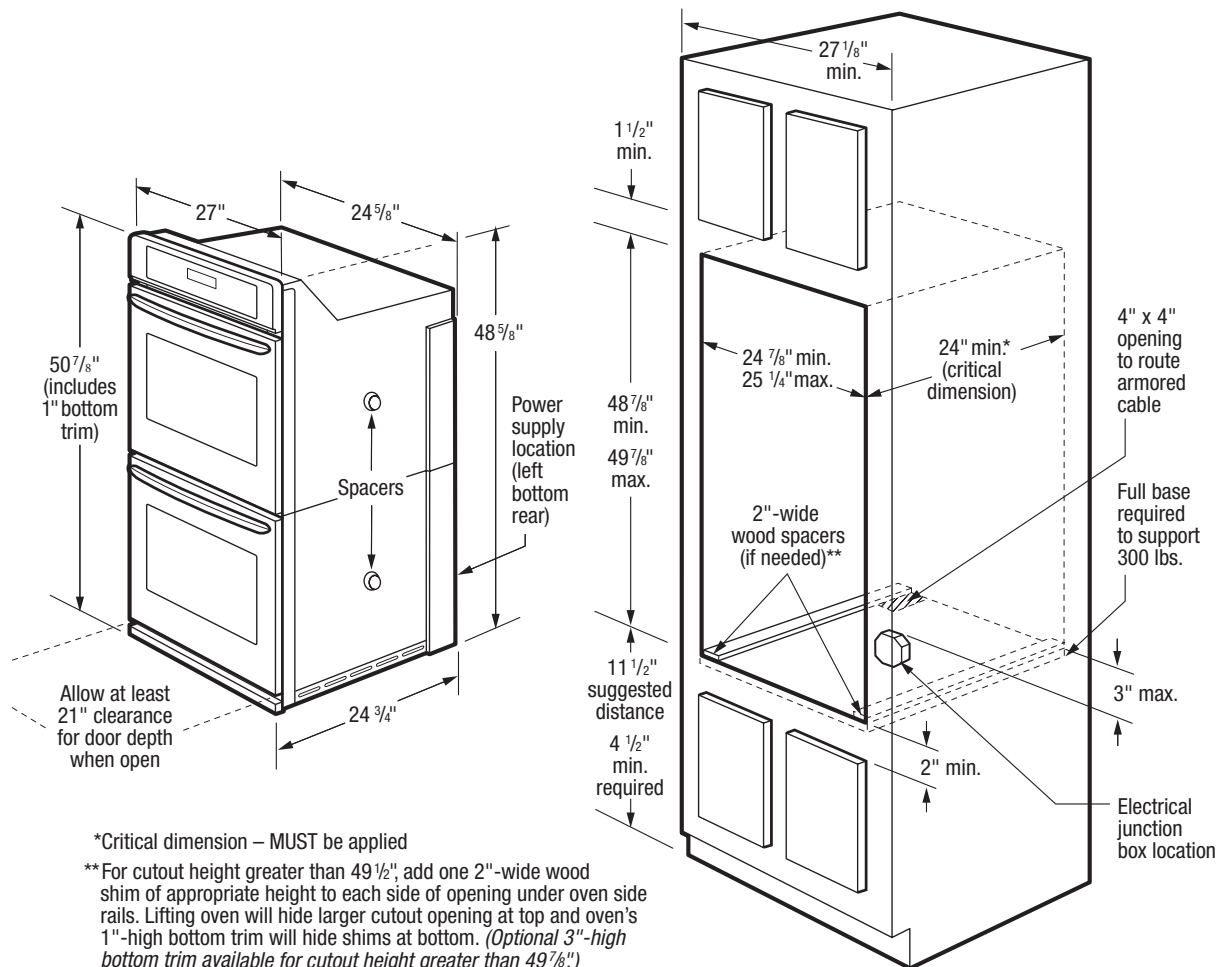
USA • 10200 David Taylor Drive • Charlotte, NC 28262 • 1-800-FRIGIDAIRE • frigidaire.com
CANADA • 5855 Terry Fox Way • Mississauga, ON L5V 3E4 • 1-800-265-8352 • frigidaire.ca

FGET2766U 11/19
©2019 Electrolux Home Products, Inc.

FGET2766U F/D DOUBLE WALL OVEN

27" ELECTRIC

FRIGIDAIRE
GALLERY



INSTALLATION SPECIFICATIONS

- Product Shipping Weight (approx.) - 265 Lbs.
- Single phase 3- or 4-wire cable, 120 / 240 or 120 / 208 Volt, 60 Hertz AC only electrical supply with ground required on separate circuit fused on both sides of line.
- Connected Load (kW Rating) @ 240 / 208 Volts = 7.4 / 5.6 kW
- Amps @ 240 / 208 Volts = 30.8 / 26.9 Amps
- Recommended Circuit Breaker - 40 Amps
- Always consult local and national electric codes.
- Minimum 21" clearance for oven door depth when open.
- Suggested distance from floor is 11-1/2". Minimum required distance is 4-1/2".
- Minimum 24" deep cutout dimension is critical for proper installation, to ensure that oven's faceplate will fit flush against cabinet front.
- To adapt oven to fit cutout height greater than 49-7/8", add one 2"-wide wood shim of appropriate height to each side of opening under oven side rails. Lifting oven will hide larger cutout opening at top and oven's 1"-high bottom trim will hide shims at bottom. (Standard 1"-High Bottom Trim included.)
- To adapt oven to fit cutout height greater than 49-7/8", optional 3"-High Bottom Trim available.

- Full oven base of solid plywood or similar material required, capable of supporting 300 Lbs.
- Base must be level and cabinet front must be square.
- Double Wall Ovens are NOT approved to be used in stackable or side-by-side installation.

OPTIONAL ACCESSORIES

- 3"-High Black Stainless Steel Bottom Trim - (PN #5304520622).
- 3"-High Stainless Steel Bottom Trim - (PN #5304520626).
- 10'-Long Armored Power Cable - (PN # 903056-9010).



FRIGIDAIRE

USA • 10200 David Taylor Drive • Charlotte, NC 28262 • 1-800-FRIGIDAIRE • frigidaire.com
CANADA • 5855 Terry Fox Way • Mississauga, ON L5V 3E4 • 1-800-265-8352 • frigidaire.ca

Note: For planning purposes only. Always consult local and national electric, gas and plumbing codes. Refer to Product Installation Guide for detailed installation instructions on the web at frigidaire.com / frigidaire.ca.
Specifications subject to change. Accessories information available on the web at frigidaire.com / frigidaire.ca

FGET2766U 11/19
©2019 Electrolux Home Products, Inc.