

FRIGIDAIRE

FFTH142WA2

Built-In Air Conditioner

Available Colors : White

Version : 05/19

14,000 BTU Built-In Room Air Conditioner with Supplemental Heat- 230V/60Hz



Product Specifications

AC

Filter Access	Slide-Out
Fan Speed - Fan - General	3
Cabinet Louvers	No
Window Mounting Kit	No
Clean Air Ionizer	No
Remote Control	Full Function with Heat
Noise Level dB (High)	62
Low Voltage Start-up	Yes
Noise Level dB (Med)	59
Fan Auto	Yes
Fan Speeds - Cool	3
Air CFM (High)	310
Air CFM (Med)	282
Motor RPM (High)	1570
Motor RPM (Low)	1320
Air CFM (Low)	253
Exhaust Vent	No
Vents Closed	Yes
Slide-Out Chassis	No
Energy Saver	Yes
Noise Level dB (Low)	57
24-Hour On/Off Timer	Yes
Filter Type	Anti-Bacterial Mesh
Air Direction Control	6-Way
Fan Speeds - Heat	3
Fresh Air	No
Filter Check	Yes
Motor RPM (Med)	1450

Certifications & Approvals

ENERGY STAR® Certified	No
Safety Certification	UL/CUL
NSF® Certified	No
ADA Compliant - All Brands	No
ETL Listed	No

Controls

Control Location	Center panel
Sleep Mode	Yes
Control Type	Electronic

Dimensions: Cut-Out

Height	15-5/8"
Width	25-15/16"
Width (Sleeve)	25-15/16"
Height (Sleeve)	15-5/8"

Electrical Specifications

Plug Type	LCDI 6-20P
Amps	15.8/ 14.5
Watts (Heat)	3450 / 2820
Power Cord Length	5-1/2'(6')
Watts (Cool)	1490/1490
Voltage Rating	230V / 208V 60Hz

Dimensions: Exterior

Depth	20-5/8"
Height	14-1/2"
Width	24"

General Specifications

Warranty	1 Year Full/5 Year Sealed System
Shipping Weight (lbs)	99
Max Wall Thickness	18"
Refrigerant	R410a
PROP 65 Label	Yes

Performance

Cool Area (Sq. Ft.)	700
BTU (Heat)	10600 / 8600
Energy Efficiency Ratio	9.4
Dehumidification - Pints/Hr	4.12
Performance Certification	AHAM
BTU (Cool)	14000 / 14000

Accessories

Included Accessory	Universal Trim Kit
Unique Accessory Available	Sleeve Kit 5304514430 or 5304514429 / Outside Grille EA109T

Note: For planning purposes only. Always consult local and national electric, gas and plumbing codes. Refer to Product Installation Guide for detailed installation instructions on the web at [frigidaire.com / frigidaire.ca](http://frigidaire.com/frigidaire.ca). Specifications subject to change. Accessories information available on the web at frigidaire.com / frigidaire.ca

FRIGIDAIRE

USA • 10200 David Taylor Drive • Charlotte, NC 28262 • 1-800-FRIGIDAIRE • frigidaire.com
CANADA • 5855 Terry Fox Way • Mississauga, ON L5V 3E4 • 1-800-265-8352 • frigidaire.ca

© 2018 Electrolux Home Products, Inc.

FFTH142WA2

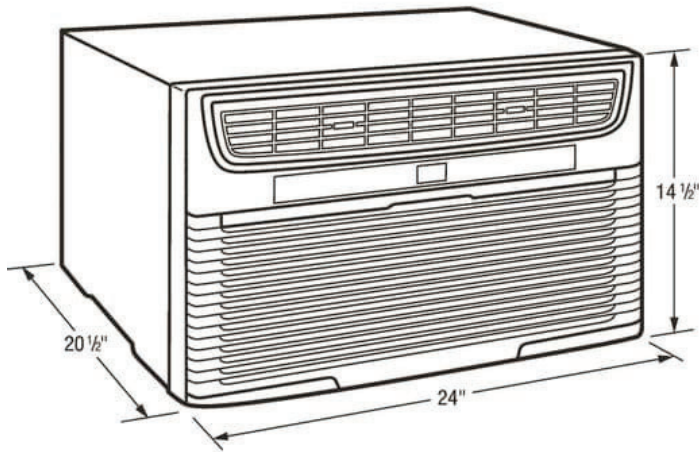
Built-In Air Conditioner

Available Colors : White

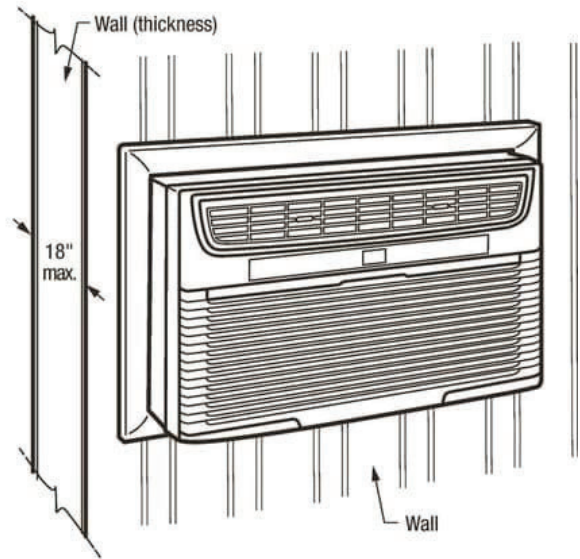
Version : 05/19

14,000 BTU Built-In Room Air Conditioner with Supplemental Heat- 230V/60Hz

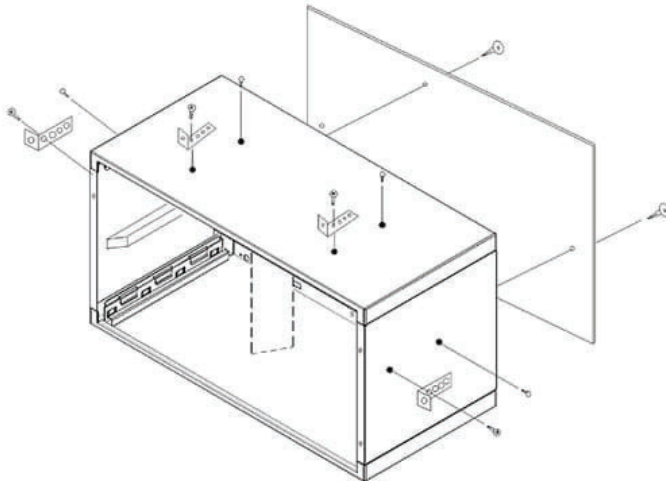
Installation Drawing



Through-The-Wall Installation



Through-The-Wall 18" Sleeve Kit



Note: For planning purposes only. Always consult local and national electric, gas and plumbing codes. Refer to Product Installation Guide for detailed installation instructions on the web at [frigidaire.com / frigidaire.ca](http://frigidaire.com/frigidaire.ca). Specifications subject to change. Accessories information available on the web at frigidaire.com / frigidaire.ca