

FFRH1122U1



SIGNATURE FEATURES

Quick Cool & Quick Warm

When you need to cool down quickly or warm up faster, use the quick cool/warm mode to speed up the fan.

Sleep Mode

Maximum comfort throughout the evening hours with the added benefit of energy savings. With Sleep Mode, the temperature gradually increases a few degrees over the evening.

Multi-Speed Fan

Features three different fan speeds, for more cooling flexibility.

Programmable 24-Hour On/Off Timer

Customize times to fit your schedule for immediate comfort when you get home. The built-in timer allows you to preset the unit to turn on and off in half-hour increments.

HOME COMFORT COMPACT SLIDE-OUT CHASSIS AIR CONDITIONER/HEATER

PRODUCT DIMENSIONS

Height	15-3/8"
Width	22-5/8"
Depth	23-5/16"

MORE EASY-TO-USE FEATURES

Remote Control

Allows you to precisely control the temperature and fan speed from across the room.

Supplemental Heating Option

With our supplemental heating capability, you can be comfortable regardless of the temperature outside — you have both heating and cooling solutions!

Effortless™ Temperature Control

Our air conditioners maintain the preset room temperature, so you will remain comfortable at all times.

2-in-1 Cooling and Heating System

It's not only an air conditioner, it has a heating function giving you the option to use your 2-in-1 Air Conditioner and Heater year round — and in all temperatures.¹

Easier Installation

With the slide-out chassis, you have an easier solution to installing your air conditioner. First install the outer cabinet of the AC in the window, then slide the interior of the air conditioner into place.

Effortless™ Clean Filter

Our antibacterial filter reduces bacteria, room odors and other airborne particles for a healthier, more comfortable environment.

SpaceWise® Adjustable Side Panels

The Adjustable Side Panels will extend to best fit your window.

Power Cord

Comes with an extra long three-prong cord — makes extension cords unnecessary.

Effortless™ Restart

Automatically resumes operating at its previous settings when power is restored to your unit.

¹Frigidaire® mini splits will heat and cool in temperatures ranging from 5°F-110°F for cooling and -5°F-75°F heating.

PERFORMANCE	BTUs
Cool	11,000
Heat	3,500
Heat Pump	9,900

COMPACT SLIDE-OUT CHASSIS AIR CONDITIONER/HEATER

PERFORMANCE

BTU (Cool)	11,000
BTU (Heat)	3,500
BTU (Heat Pump)	9,900
Dehumidification (Pints/Hour)	3.4
Cool Area (Up To Sq. Ft.)	550
Combined Energy Efficiency Ratio	9.8
Energy Efficiency Ratio	9.8

ELECTRICAL

Volts	230/208
Amps (Cool)	9.0
Amps (Heat)	9.0
Amps (Heat Pump)	11.3
Watts (Cool)	1,120
Watts (Heat)	1,290
Watts (Heat Pump)	1,035
Length of Power Cord (Min./Max.)	5.5'/6'
Plug Type (NEMA)	LCDI (6-20P)

FEATURES

Electronic Controls	Ready-Select® Controls
Fan Speeds (Cool/Fan/Heat)	3/3/3
Low Voltage Start-Up	Yes
Auto Cool Function	Yes
Energy Saver Mode	Yes
Sleep Mode	Yes
Filter Check	Yes
24-Hour On/Off Timer	Yes
Clean Air Ionizer	
Remote Control	Full-Function with Heat
Air CFM (High/Med/Low)	294/267/232
Air Direction Control	8-Way
Fresh Air/Exhaust Vent/Closed	No/No/Yes
Filter Type	Antibacterial Mesh
Filter Access	Tilt-Out
Slide-Out Chassis	Yes
Window Mounting Kit (Included)	Pleated Quick Mount
Warranty ¹	Yes

CERTIFICATIONS

Performance	AHAM
-------------	------

SPECIFICATIONS

Refrigerant	R410a
Shipping Weight (Approx.)	102 Lbs.

¹Warranty 5 year sealed system/1 year full parts and labor.

PRODUCT DIMENSIONS

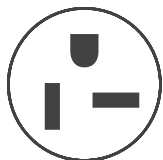
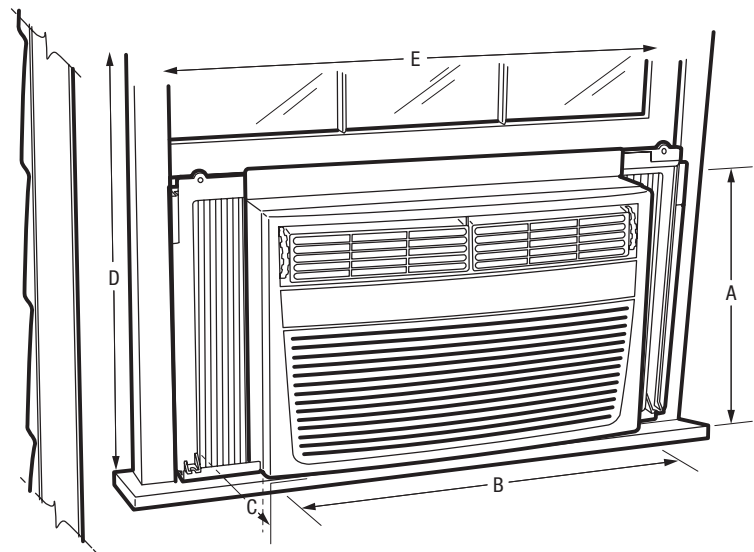
A - Height	15-3/8"
B - Width	22-5/8"
C - Depth	23-5/16"

WINDOW DIMENSIONS

D - Height (Min.)	16-1/2"
E - Width (Min./Max.)	26-7/8"/36"

WALL CUTOUT DIMENSIONS

Height	16-5/32"
Width	23-1/4"
Max. Wall Thickness	6-1/8"



Plug Type (NEMA)
6-20P



Note: For planning purposes only. Always consult local and national electric, gas and plumbing codes. Refer to Product Installation Guide for detailed installation instructions on the web at frigidair.com.

Specifications subject to change. Accessories information available on the web at frigidair.com