

# FRIGIDAIRE

## FFPA4422U M/U

COMPACT  
ALL REFRIGERATOR  
4.4 CU. FT.

### AVAILABLE COLORS

M

Silver  
Mist

U

Black  
Brushed  
Steel



## PRODUCT SPECIFICATIONS

### PRODUCT DIMENSIONS

|                              |       |
|------------------------------|-------|
| A - Height                   | 33"   |
| B - Width                    | 19.3" |
| C - Depth (Including Door)   | 21.9" |
| D - Depth with Door Open 90° | 39.0" |

### FEATURES - EXTERIOR

|                 |                                 |
|-----------------|---------------------------------|
| Door Color      | Silver Mist/Brushed Black Steel |
| Cabinet Color   | Black                           |
| Door Stops      | Yes                             |
| Reversible Door | Yes                             |
| Leveling Legs   | Yes                             |

### FEATURES - INTERIOR

|                      |                                      |
|----------------------|--------------------------------------|
| Defrost              | Manual                               |
| Lighting             | Bright                               |
| Refrigerator Shelves | 2 Adjustable / 1 Fixed               |
| Door Bins            | 1 Full-Width Gallon/<br>2 Half-Width |
| Can Rack             | 6 Capacity                           |
| Cabinet Liner        | White                                |

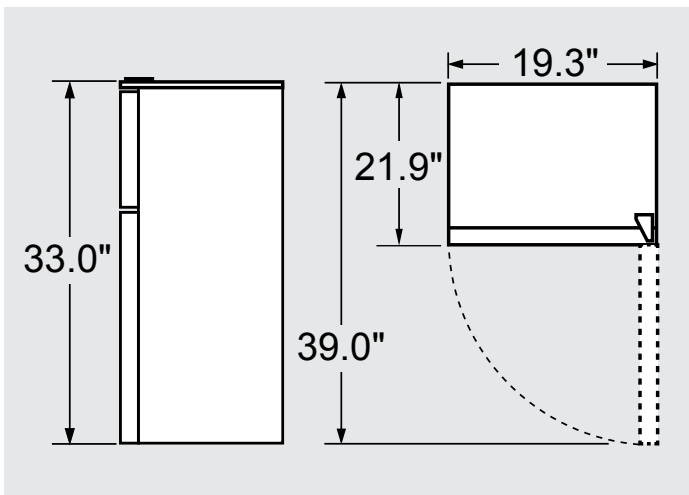
### CERTIFICATIONS

|              |     |
|--------------|-----|
| ENERGY STAR® | Yes |
|--------------|-----|

### SPECIFICATIONS

|                                  |                   |
|----------------------------------|-------------------|
| Total Capacity (Cu. Ft.)         | 4.4               |
| Installation Type                | Freestanding      |
| Power Supply Connection Location | Right Bottom Rear |
| Voltage Rating                   | 115V/60Hz / 15A   |
| Minimum Circuit Required (Amps)  | 15                |
| Shipping Weight (Approx.)        | 57 Lbs.           |

*¹An electrical supply with grounded three-prong receptacle is required. The power supply circuit must be installed in accordance with current edition of National Electrical Code (NFPA 70) and local codes & ordinances.*



*Note: For planning purposes only. Always consult local and national electric, gas and plumbing codes. Refer to Product Installation Guide for detailed installation instructions on the web at [frigidaire.com](http://frigidaire.com) / [frigidaire.ca](http://frigidaire.ca).*

*Specifications subject to change. Accessories information available on the web at [frigidaire.com](http://frigidaire.com) / [frigidaire.ca](http://frigidaire.ca)*

FRIGIDAIRE

USA • 10200 David Taylor Drive • Charlotte, NC 28262 • 1-800-FRIGIDAIRE • [frigidaire.com](http://frigidaire.com)  
CANADA • 5855 Terry Fox Way • Mississauga, ON L5V 3E4 • 1-800-265-8352 • [frigidaire.ca](http://frigidaire.ca)

FFPA4422U 05/19  
©2019 Electrolux Home Products, Inc.