

## FFID2459VS

### DISHWASHER

24" BUILT-IN



#### AVAILABLE COLORS



Stainless

#### PRODUCT DIMENSIONS

Height (Min. - Max.)	33-3/4" - 35-3/4"
Width	24"
Depth (Including Door)	24-1/4"

#### MORE EASY-TO-USE FEATURES

##### Cleans 12 Place Settings

Cleans 12 place settings in one cycle.

##### ENERGY STAR® Certified

Maximize your energy and dollar savings with ENERGY STAR® Certified Appliances.

##### Time Saving 24 - Hour Delay Start

Set your dishwasher to run on your schedule. It can be set to run up to 24 hours in advance.

##### Quiet Operation Won't Run You Out Of The Room

Run your dishwasher while you're in the same room. It runs at 49 DBAs.

##### Automatically Adjusts Cycles Taking The Guess Work Out Of Cleaning

DishSense™ Technology automatically adjusts the wash cycle based on how much cleaning your dishes need for an effective clean.

##### Filtration System

Self-cleaning filter eliminates food particles, keeping dishes clean.

#### CERTIFICATIONS

ENERGY STAR®



NSF® International Certification



### SIGNATURE FEATURES

#### BladeSpray® Arm

Gives you better water coverage for a thorough clean every time.

#### National Sanitation Foundation® Certified

Sanitize cycle removes 99.9% of common household bacteria.

#### Clean Dishes of All Sizes

Clean even your largest dishes and cookie sheets with an adjustable upper rack level to fit oversized dishes and kitchen tools of all shapes and sizes.

#### Remarkable Dry

Dishes come out remarkably dry every time with EvenDry™.

# FFID2459VS DISHWASHER

24" BUILT-IN

FRIGIDAIRE

## FEATURES

Control Design	Ready-Select®
Door Latch	Yes
Stay-Put Door Hinge Design	Yes
Low Rinse-Aid Indicator Light	Yes
Interior Color	Stainless Steel
Interior Design	Tall Tub
Wash System	Direct Feed
Wash Levels	5
Wash Speeds	5
Sound Package	UltraQuiet™ I
Filter	Stainless Steel
Filter Trap	Removable
Food Disposer	Hard
dB Level	49
Drying System	Static Vent

## CYCLES

Number of Cycles	5
PowerPlus™ (Heavy)	Yes
Normal	Yes
China / Crystal	Yes
Energy Saver	Yes
Rinse Only	Yes
Cycle Indicator Light	Yes
Control Lock	Yes

## OPTIONS

Heat	Yes
No Heat Dry	Yes
Hi-Temp Wash	Yes
Delay Start	1-24 Hours

## RACK SYSTEM

Rack Design	Standard
Rack Coating	Nylon
<b>Lower Rack -</b>	
SpaceWise® Silverware Basket	Standard
<b>Upper Rack -</b>	
Rack Type	Standard

## CERTIFICATIONS

ENERGY STAR®	Yes
--------------	-----

## SPECIFICATIONS

Water Inlet Location	Left Bottom Front
Water Usage (Gallons)	4.0 - 8.0
Water Pressure (PSI)	20 - 120
Integral Air Gap on Supply	Yes
Leveling Legs	Yes
Power Supply Connection Location	Right Bottom Front
Voltage Rating	120V / 60 Hz / 15A
Connected Load (kW Rating) @ 120 Volts <sup>1</sup>	1.44
Amps @ 120 Volts	15.0
Shipping Weight (Approx.)	83 Lbs.

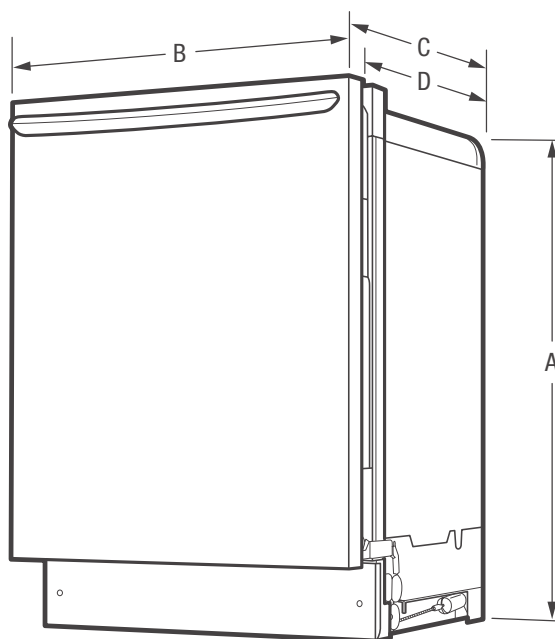
<sup>1</sup>For use on adequately wired 120V, dedicated circuit having 2-wire service with a separate ground wire. Appliance must be grounded for safe operation.

## PRODUCT DIMENSIONS

A - Height (Adjustable)	33-3/4" - 35-3/4"
B - Width	23-3/4"
C - Depth (Including Door)	24-1/4"
D - Depth (To Tub Flange)	22-1/2"
Depth with Door Open 90°	50-1/4"

## CUTOUT DIMENSIONS

Height (Min.)	34"
Height (Max.)	35-3/4"
Width (Min.)	24"
Depth (Min.)	24"

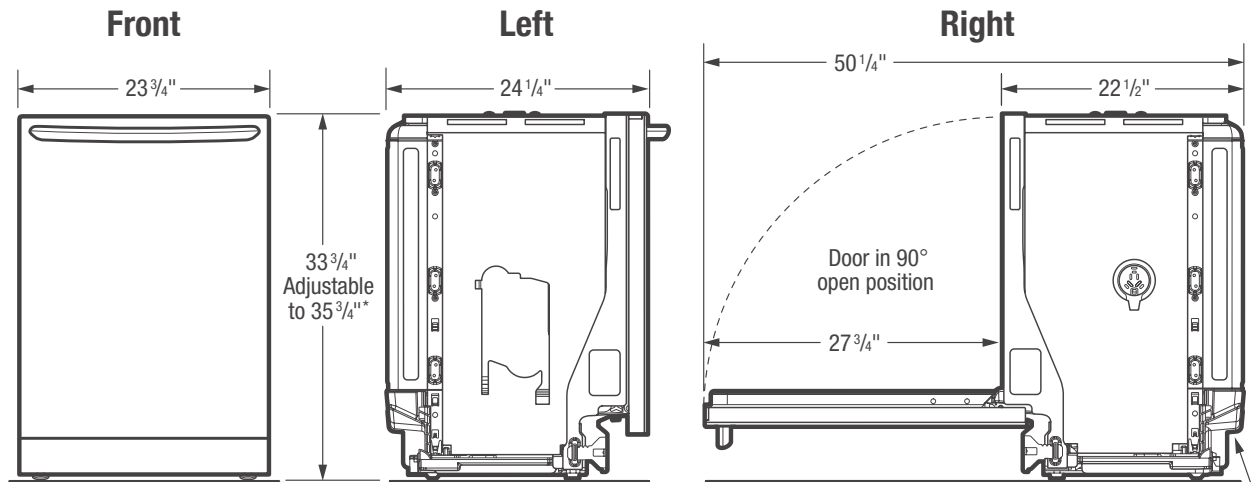


**Note:** For planning purposes only. Always consult local and national electric, gas and plumbing codes. Refer to Product Installation Guide for detailed installation instructions on the web at [frigidaire.com](http://frigidaire.com) / [frigidaire.ca](http://frigidaire.ca). Specifications subject to change. Accessories information available on the web at [frigidaire.com](http://frigidaire.com) / [frigidaire.ca](http://frigidaire.ca)

FRIGIDAIRE

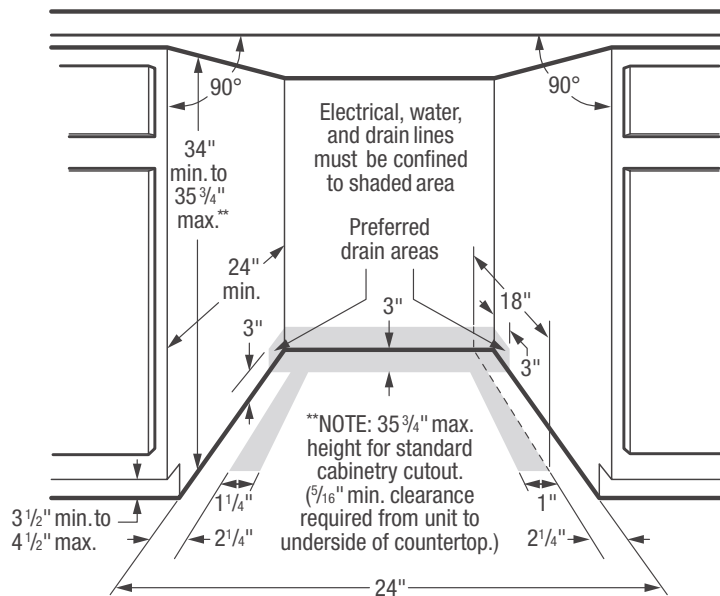
USA • 10200 David Taylor Drive • Charlotte, NC 28262 • 1-800-FRIGIDAIRE • [frigidaire.com](http://frigidaire.com)  
CANADA • 5855 Terry Fox Way • Mississauga, ON L5V 3E4 • 1-800-265-8352 • [frigidaire.ca](http://frigidaire.ca)

FFID2459V 01/19  
©2019 Electrolux Home Products, Inc.



\*Height only adjustable to 35 3/4" max. when installed in 35 3/4" max. standard cabinetry cutout. (Dimensions do NOT include insulation – insulation blanket may be compressed during installation.)

Power supply & water inlet location (bottom rear)



*Note: For planning purposes only. Always consult local and national electric, gas and plumbing codes. Refer to Product Installation Guide for detailed installation instructions on the web at [frigidaire.com/frigidaire.ca](http://frigidaire.com/frigidaire.ca). Specifications subject to change. Accessories information available on the web at [frigidaire.com/frigidaire.ca](http://frigidaire.com/frigidaire.ca)*