

FRIGIDAIRE

FCRG3005AW

Available Colors : White

Version : 08/19

Gas Ranges

30" Gas Range



Product Specifications

Electrical Specifications

Power Supply Connection Location	Rear Centerline Lower
Min Circuit Required	5A
Voltage Rating	120V 60Hz

Certifications & Approvals

ADA Compliant	No
Agency Approval	CSA Certified
Sabbath Mode (Star-K® Certified)	No

Exterior Dimensions

Depth	25-3/4"
Height	46-9/16"
Width	29-7/8"

Drawer

Drawer Functionality	Storage
Handle	Integrated

General Specifications

Leveling Legs	4 Adjustable
PROP 65 Label	Yes

Cooking Controls

Bake	Yes
Broil	Yes
Clear Button	No
Self-Clean	No
Temperature Probe	No
Timed Cook Option	No
Timer	Yes
Timed Shut-off	No

Oven Specifications

Oven 1 Bake	18000 BTU
Oven 1 Baking System	Even Baking Technology
Oven 1 Broil	1400 Watts
Oven 1 Broiling System	Vari-Broil™ High/Low
Oven 1 Cleaning System	Manual Clean
Oven 1 Interior Lighting	1 Incandescent
Oven 1 Interior Depth	19-1/8"
Oven 1 Interior Height	18-5/8"
Oven 1 Interior Width	24-3/8"
Oven 1 Rack Configuration	2 Standard
Oven 1 Rack Positions	6 positions
Capacity (Cu. Ft.)	5.0
Oven 1 Type	Main
Oven Window	Standard Visualite®

Cooktop

Cooking Surface	Open Burners
Grate Color	Black Gloss
Grate Material	Steel
Grates	4 Piece
Knob Type	Color Coordinanted
Left Front	9500 BTU
Left Rear	9500 BTU
Right Front	9500 BTU
Right Rear	9500 BTU

Finish

Control Panel Finish	Color-Coordinated Metal
Cooktop Finish	Color-Coordinated Porcelain
Door Finish	Color-Coordinated Glass
Drawer Finish	Color-Coordinated Metal
Exterior Finish	Painted
Manifold Panel	Color-Coordinated

Note: For planning purposes only. Always consult local and national electric, gas and plumbing codes. Refer to Product Installation Guide for detailed installation instructions on the web at frigidaire.com/frigidaire.ca. Specifications subject to change. Accessories information available on the web at frigidaire.com/frigidaire.ca

FCRG3005AW

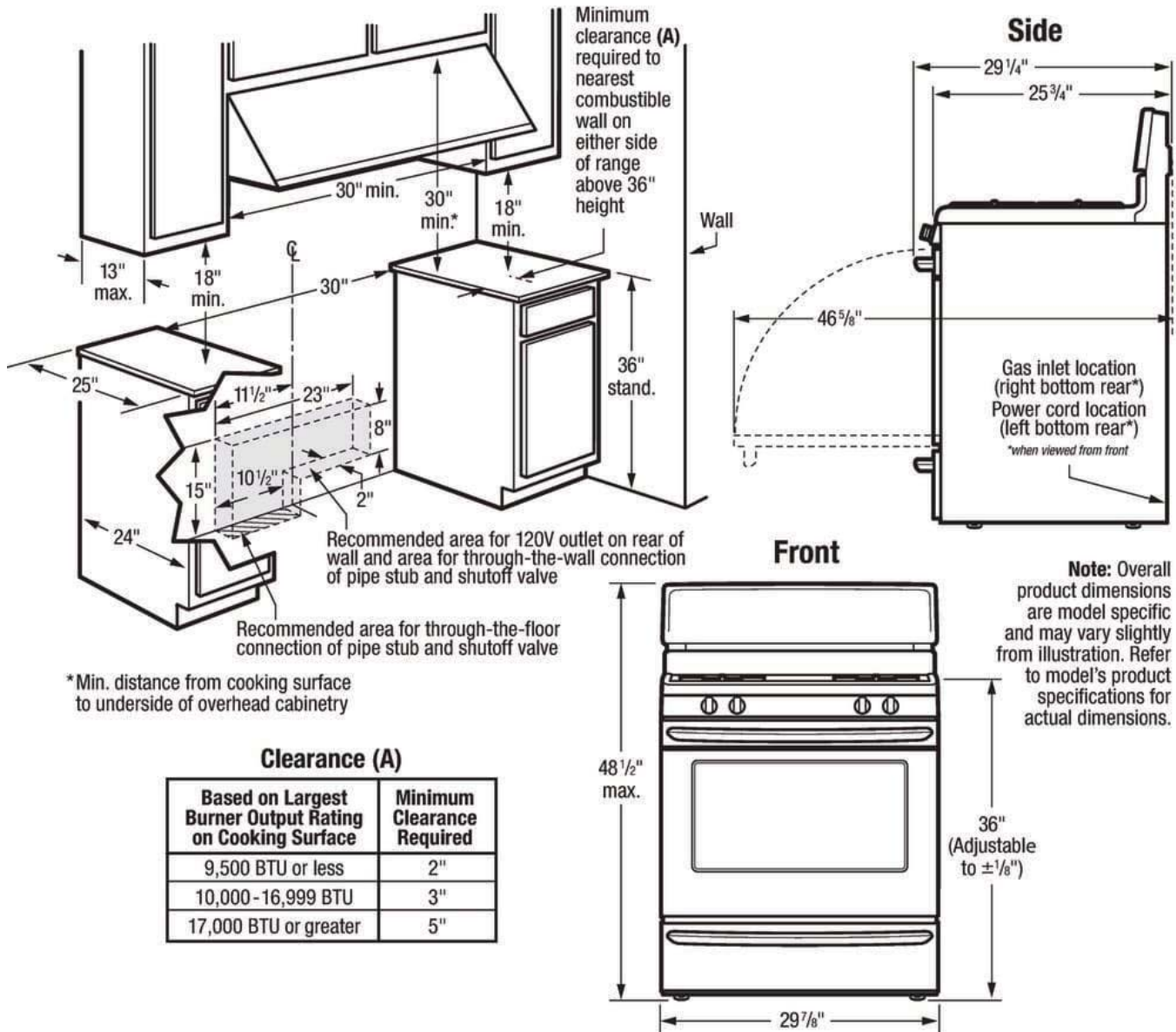
Available Colors : White

Version : 08/19

Gas Ranges

30" Gas Range

Installation Drawing



Clearance (A)

Based on Largest Burner Output Rating on Cooking Surface	Minimum Clearance Required
9,500 BTU or less	2"
10,000 - 16,999 BTU	3"
17,000 BTU or greater	5"

Note: For planning purposes only. Always consult local and national electric, gas and plumbing codes. Refer to Product Installation Guide for detailed installation instructions on the web at frigidaire.com/frigidaire.ca. Specifications subject to change. Accessories information available on the web at frigidaire.com/frigidaire.ca