

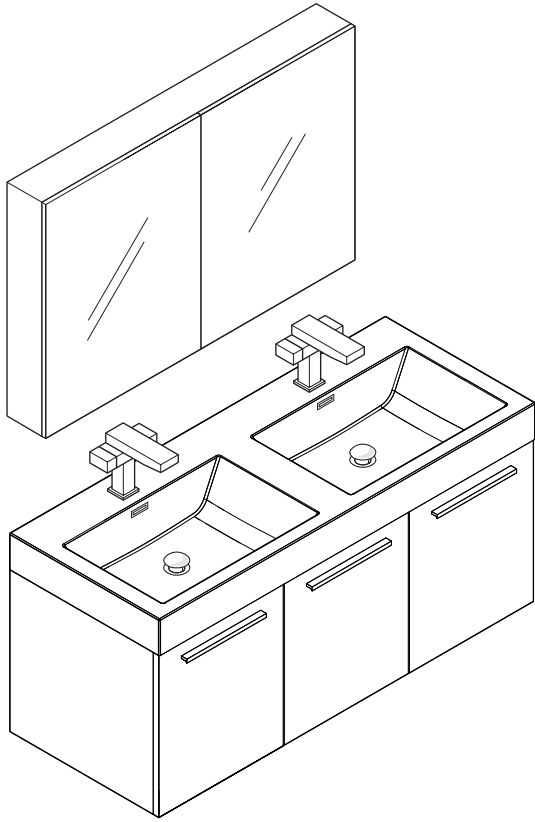
FVN8092-D

VISTA

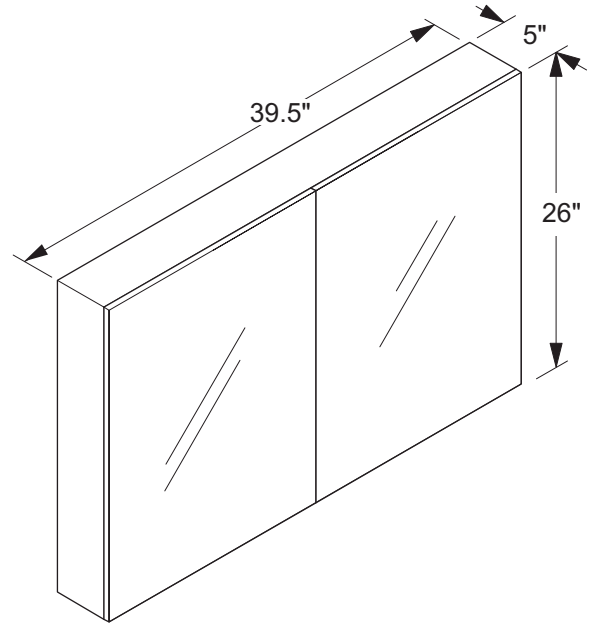
INSTALLATION GUIDE



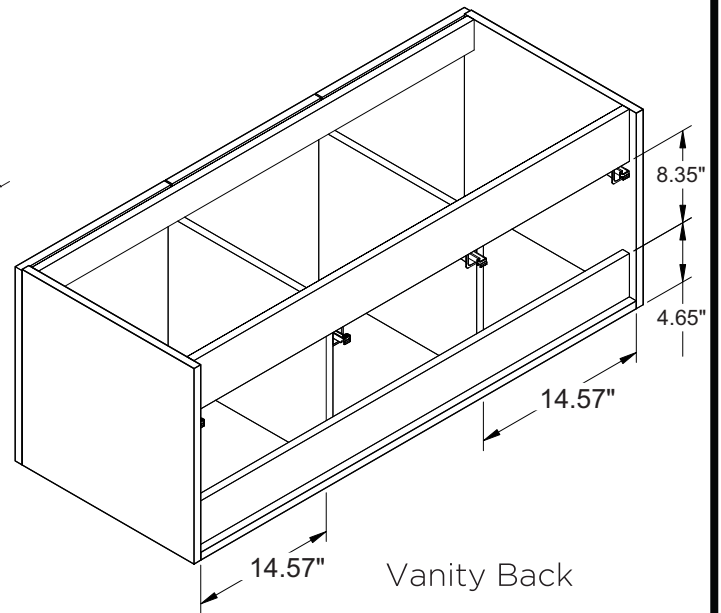
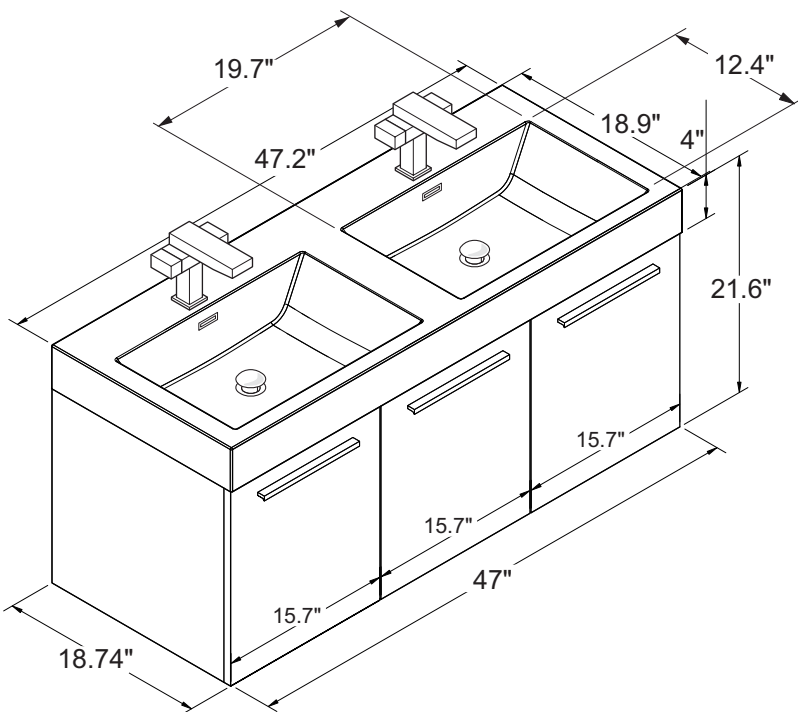
FRESCA®



Medicine Cabinet



Vanity Front



Vanity Back



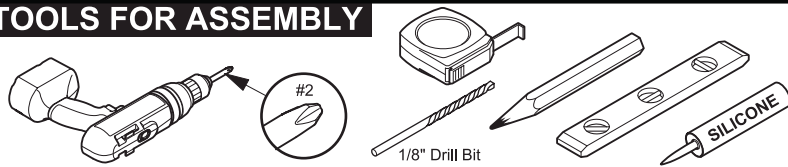
ALL DIMENSIONS & SPECIFICATIONS
ARE APPROXIMATE AND SUBJECT TO
CHANGE WITHOUT NOTICE.



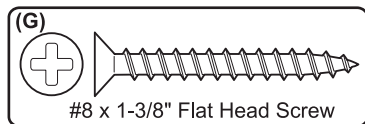
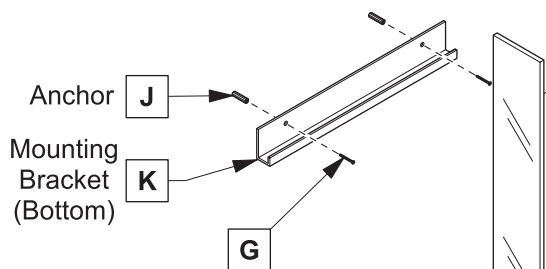
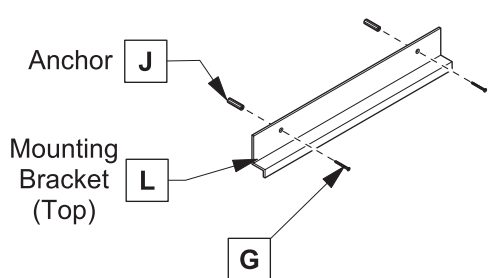
FVN8092-D | VISTA | INSTALLATION GUIDE

PAGE 1

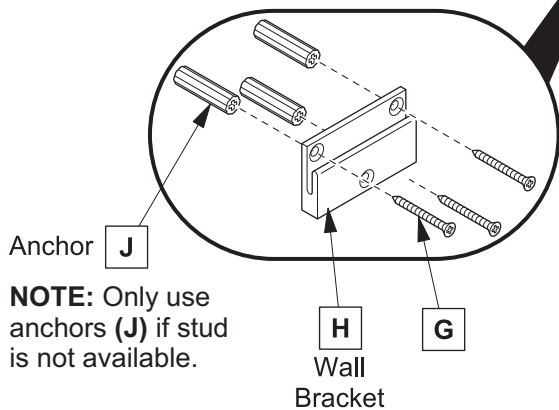
TOOLS FOR ASSEMBLY



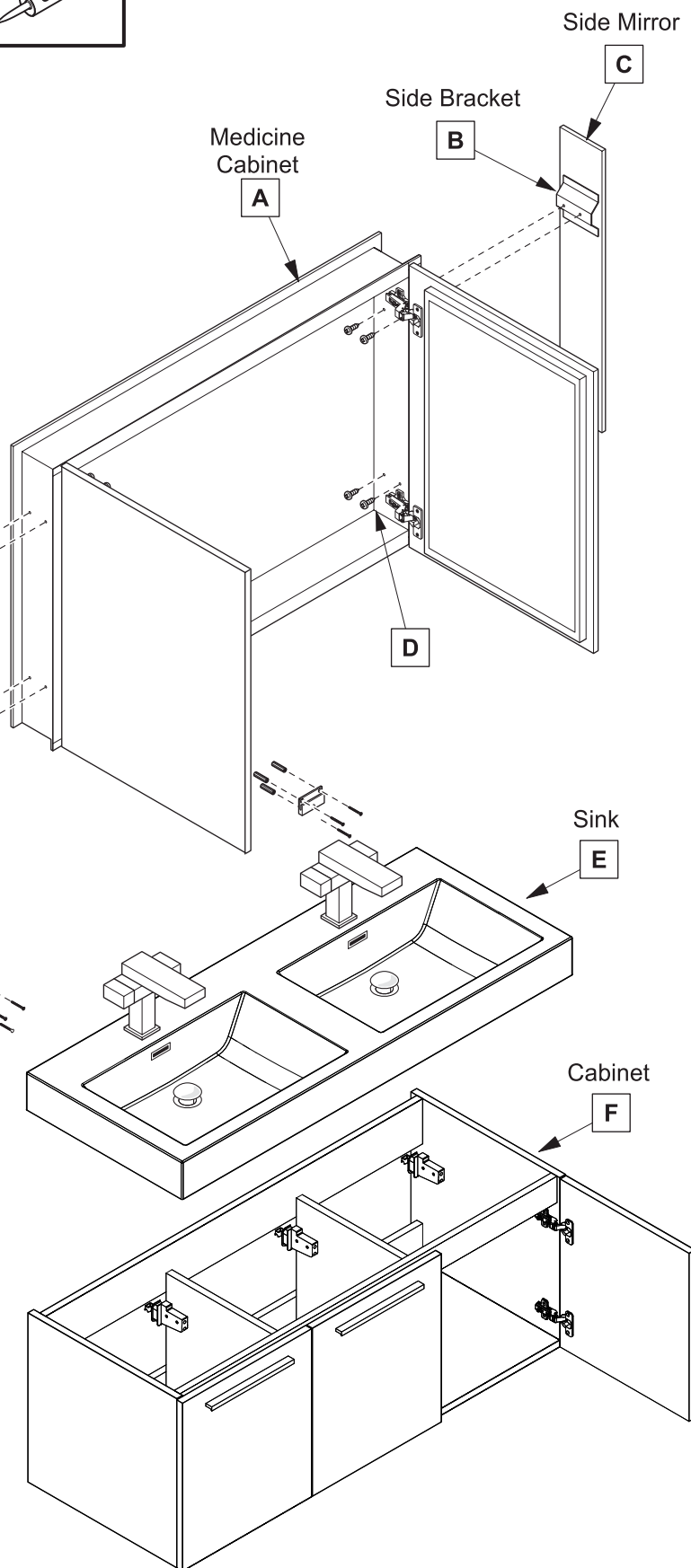
PARTS



#8 x 1-3/8" Flat Head Screw

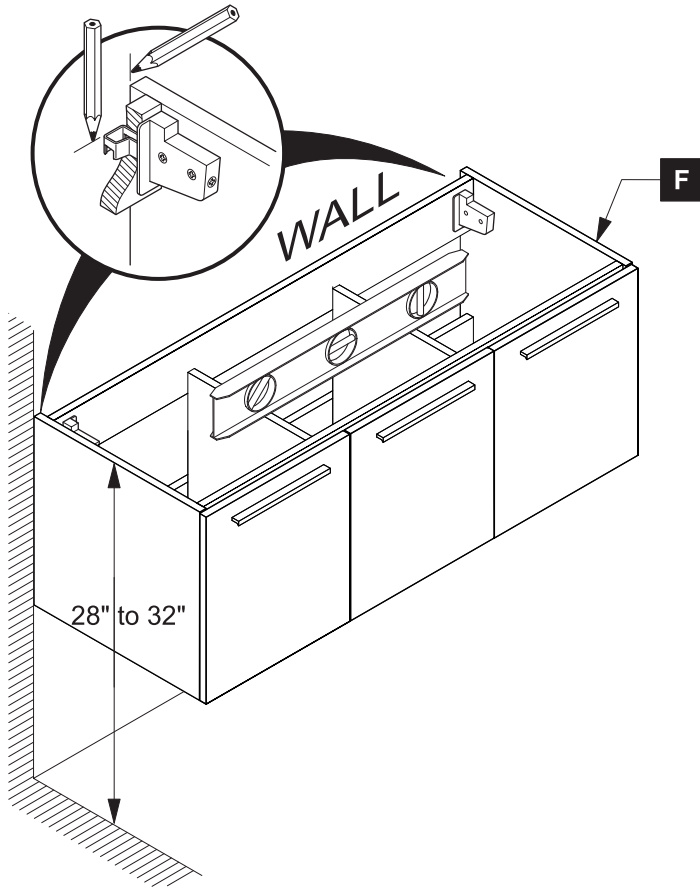


NOTE: Only use anchors (J) if stud is not available.



1

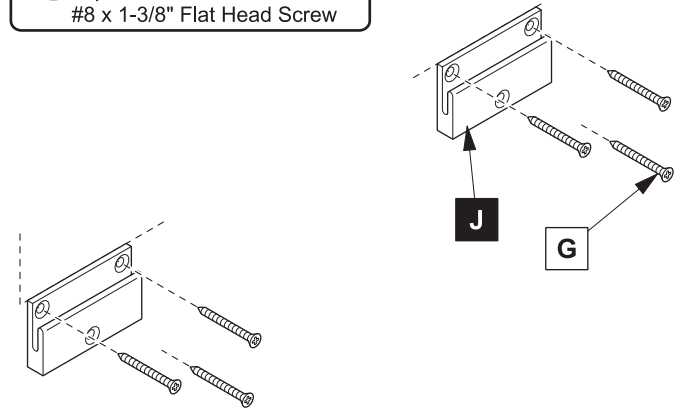
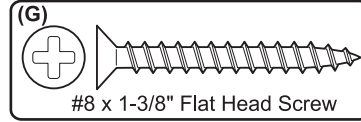
Locate cabinet (F) & mark location on the wall



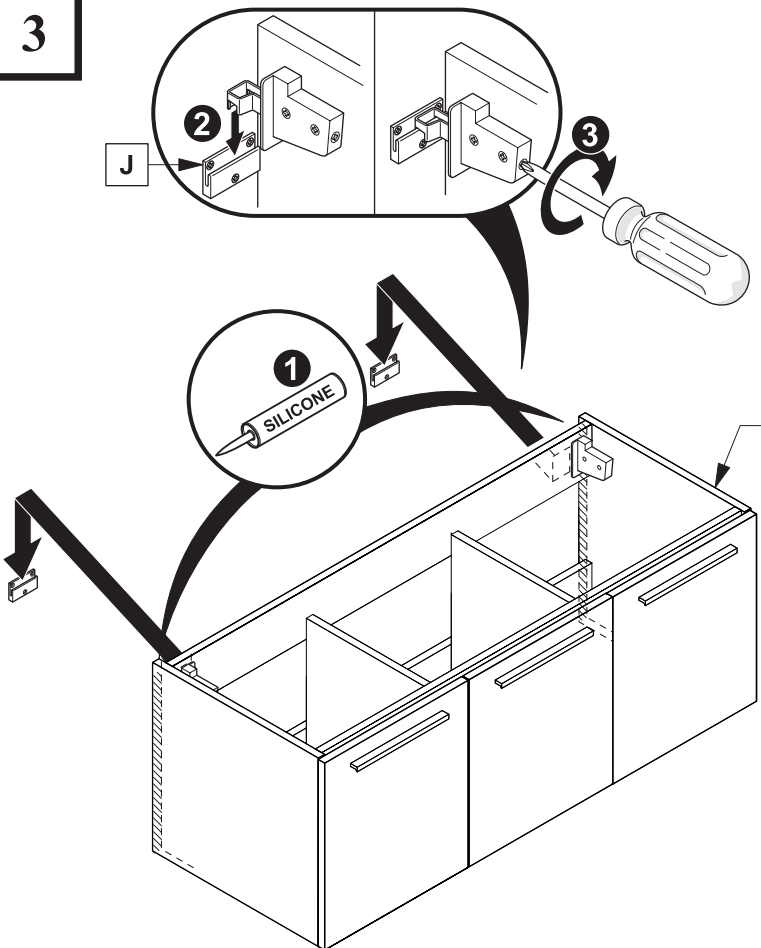
2

Install wall brackets (J)

IMPORTANT: Consult an expert for the proper screws / bolts to use when attaching to various wall constructions. Screws provided *do not* attach to all wall construction types.

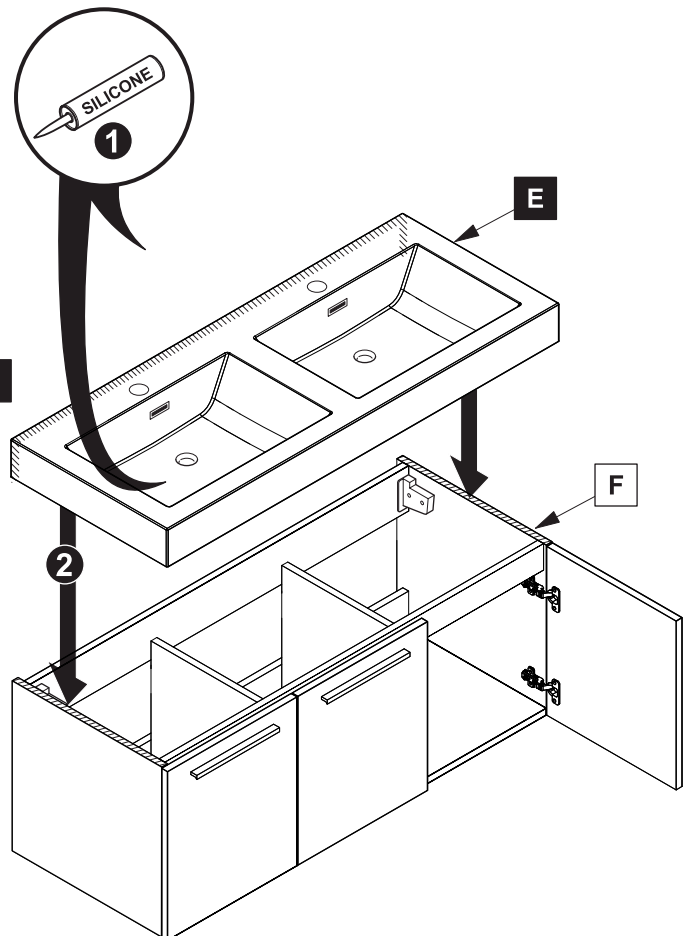


3



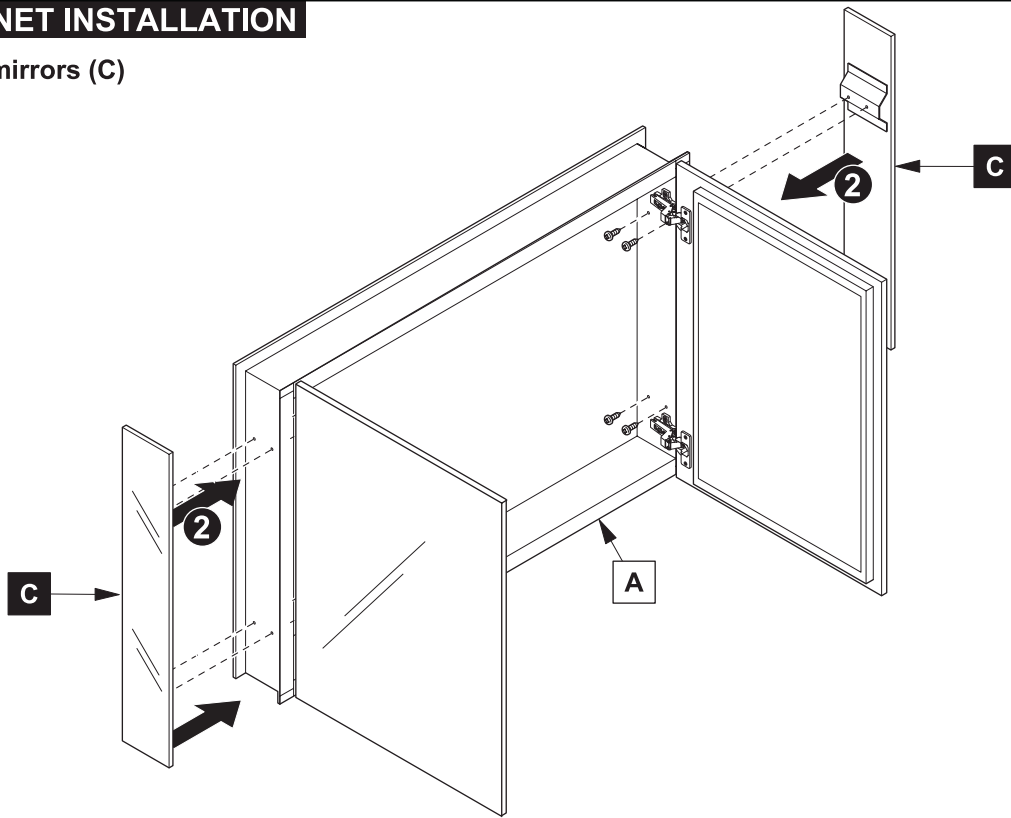
4

Apply silicone and install sink (E)

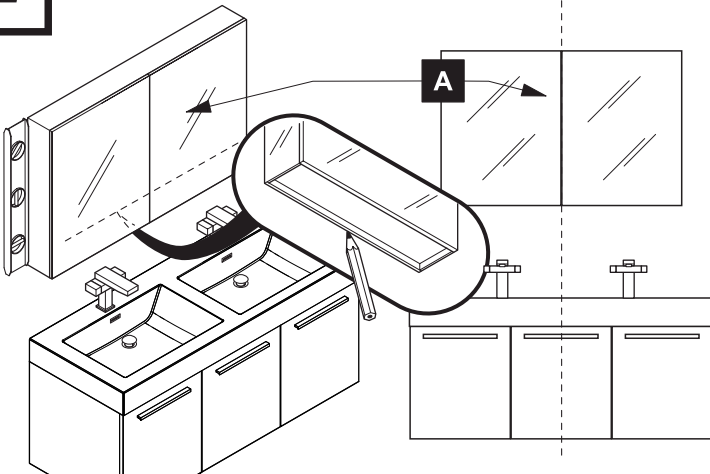


MEDICINE CABINET INSTALLATION

1 Install side mirrors (C)

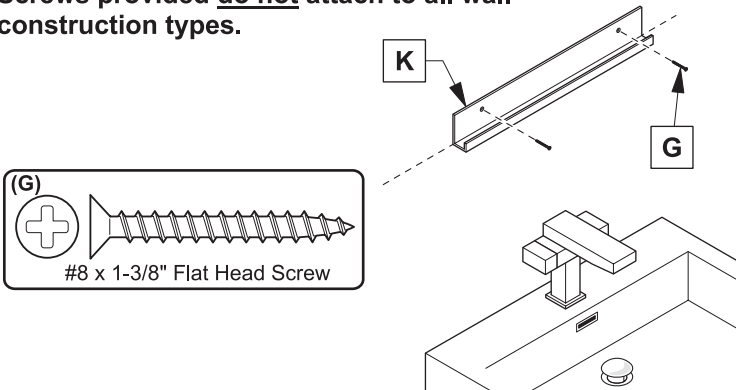


2 Mark cabinet (A) location

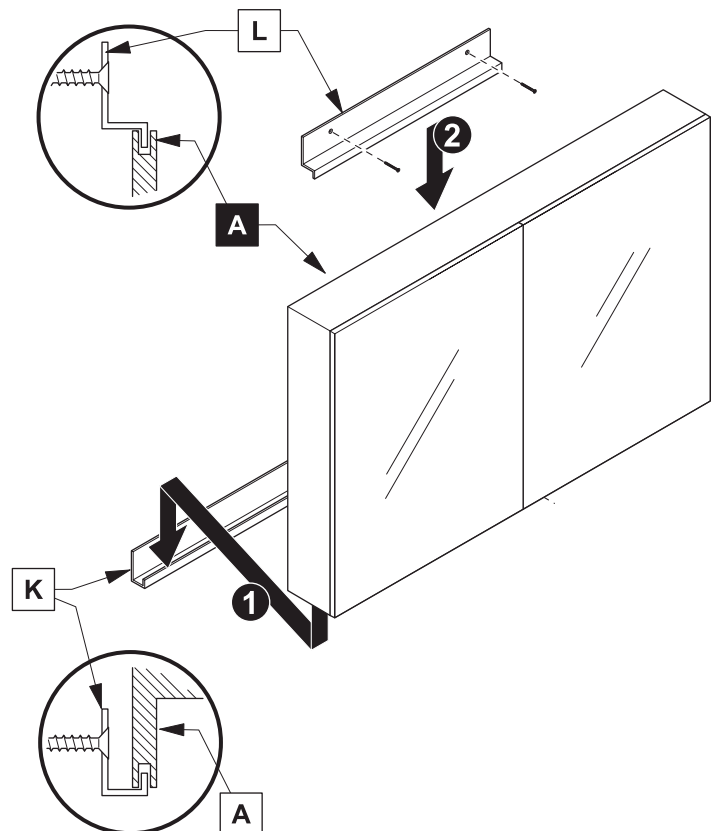
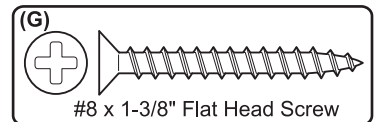


3 Install bottom bracket (K)

IMPORTANT: Consult an expert for the proper screws/bolts to use when attaching to various wall constructions. Screws provided do not attach to all wall construction types.



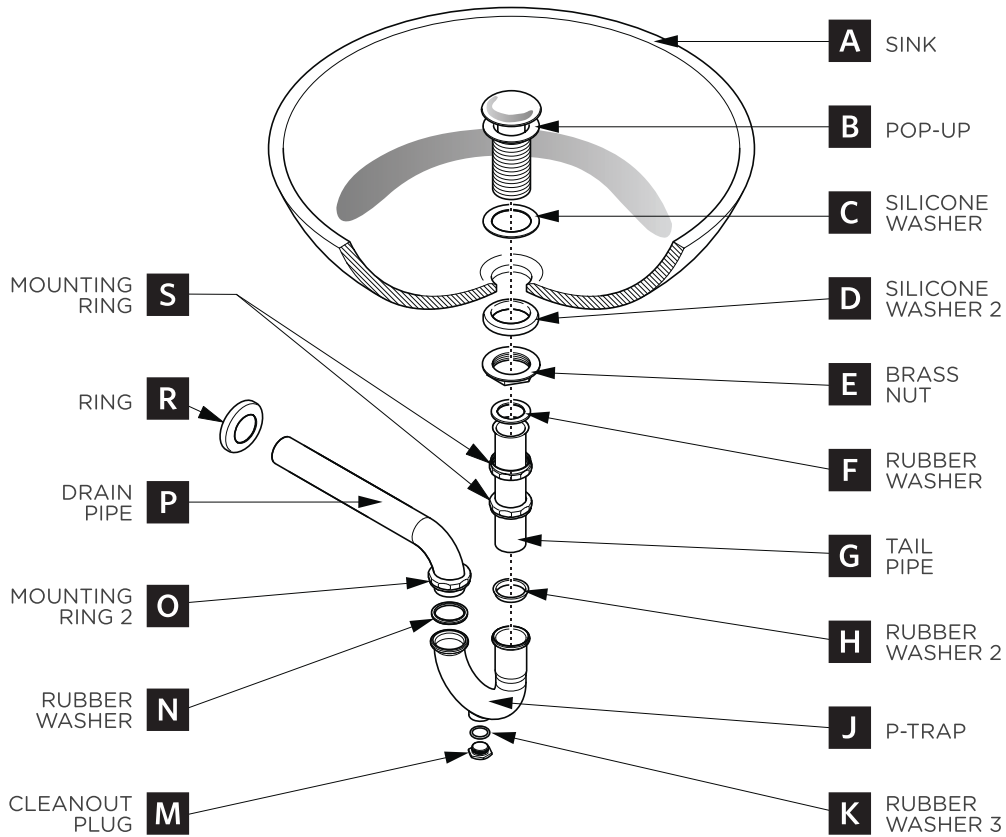
4 Install cabinet (A) and top bracket (L)



P-TRAP & POP-UP

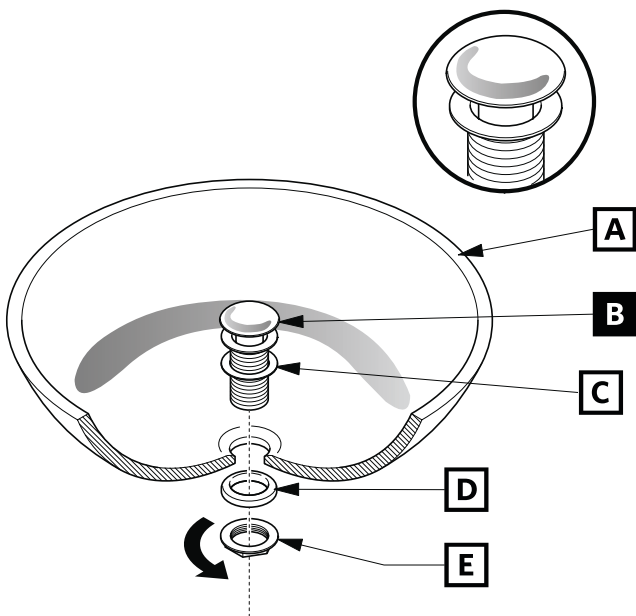
INSTALLATION INSTRUCTIONS

Your item may appear slightly different from the illustration.



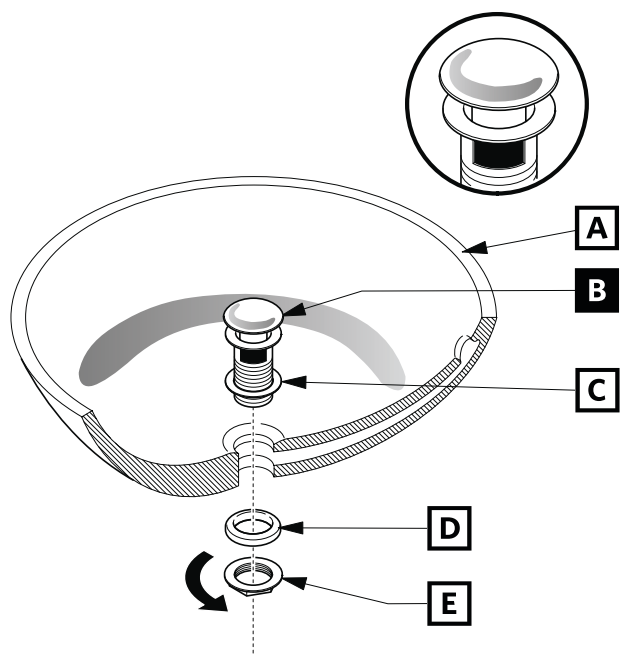
POP-UP INSTALLATION

FOR SINKS WITHOUT OVERFLOW



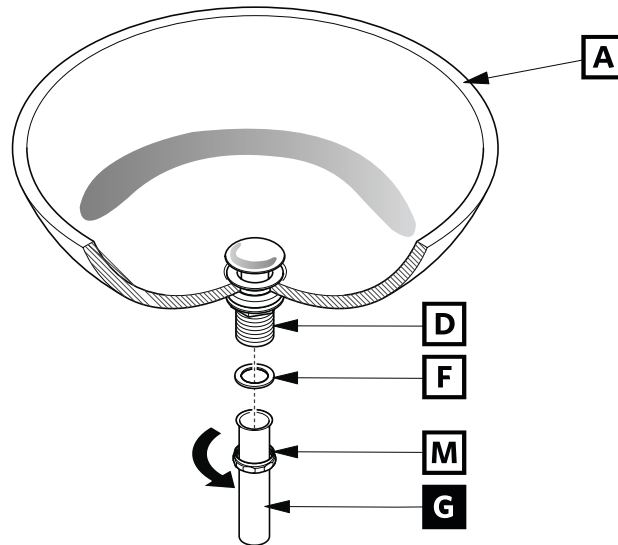
OR

FOR SINKS WITH OVERFLOW



P-TRAP INSTALLATION

1 Install tail pipe (G)



2 Install P-trap (J)

