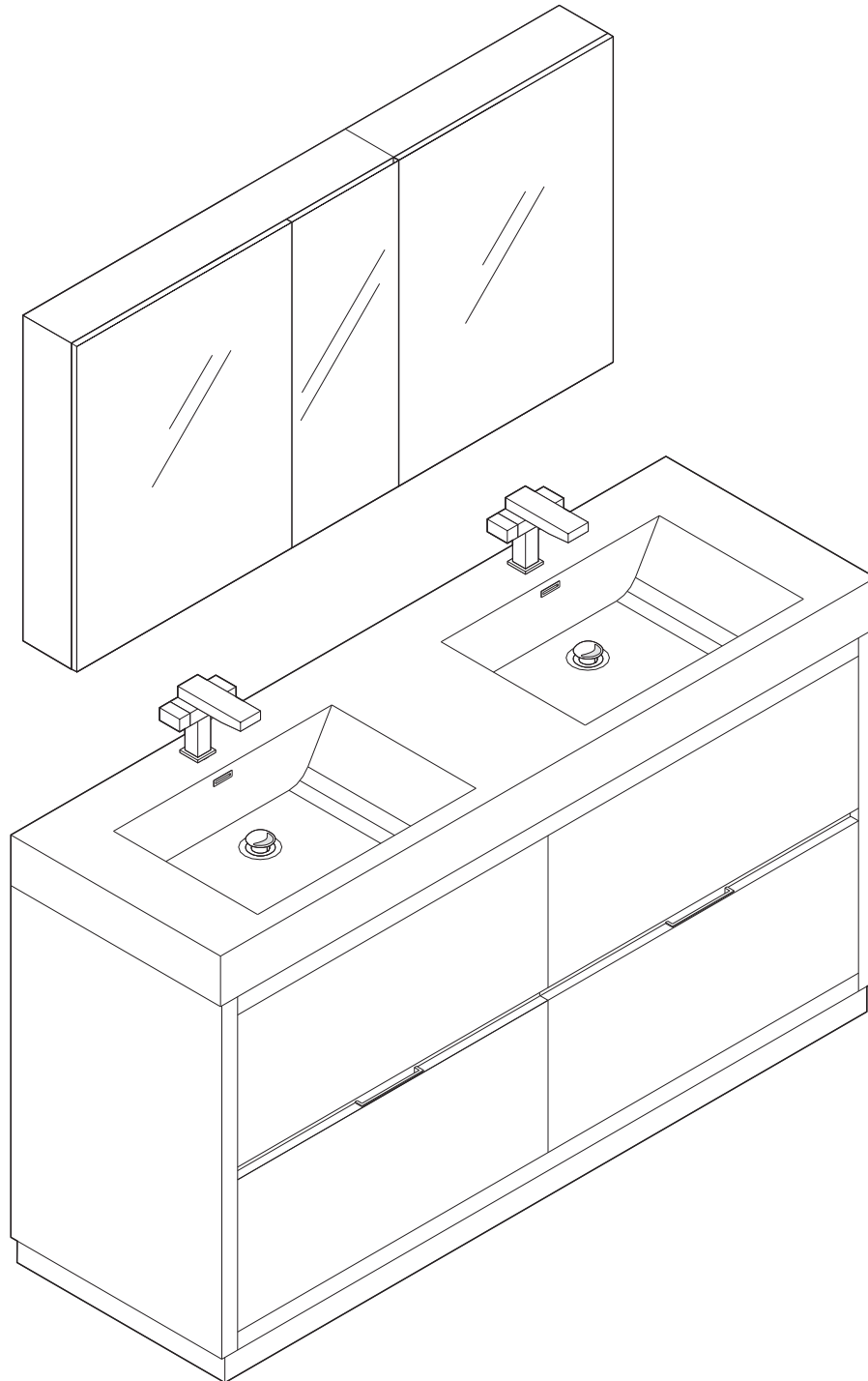
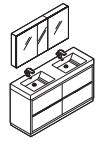
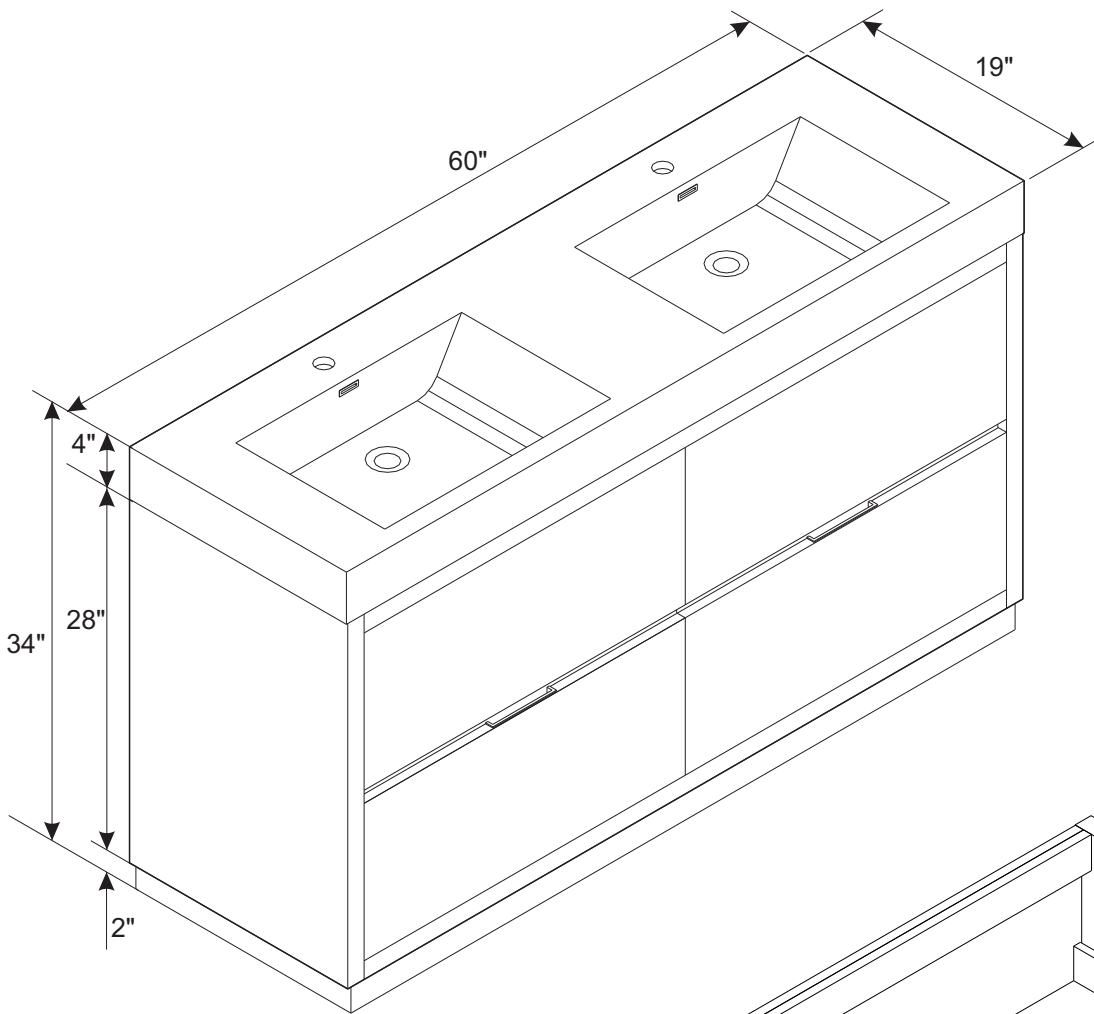


FVN8460-D
VALENCIA
INSTALLATION GUIDE

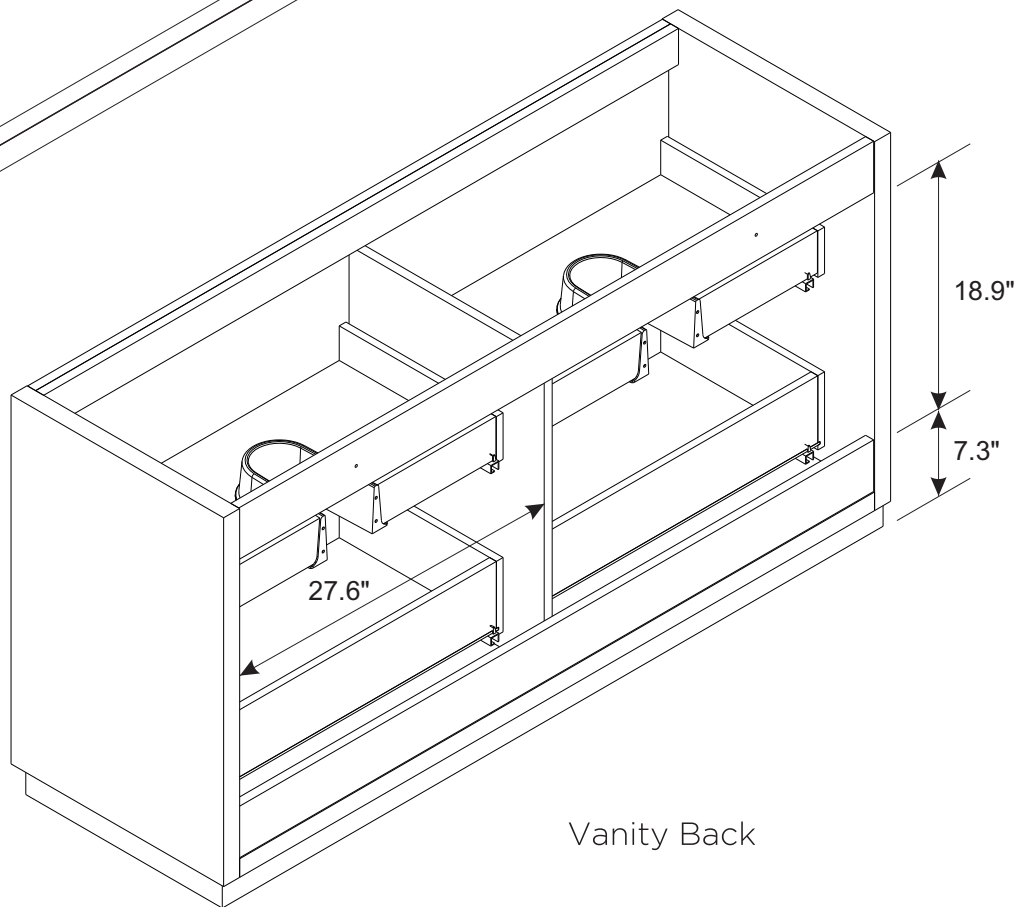




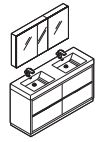
FVN8460-D
VALENCIA
INSTALLATION GUIDE



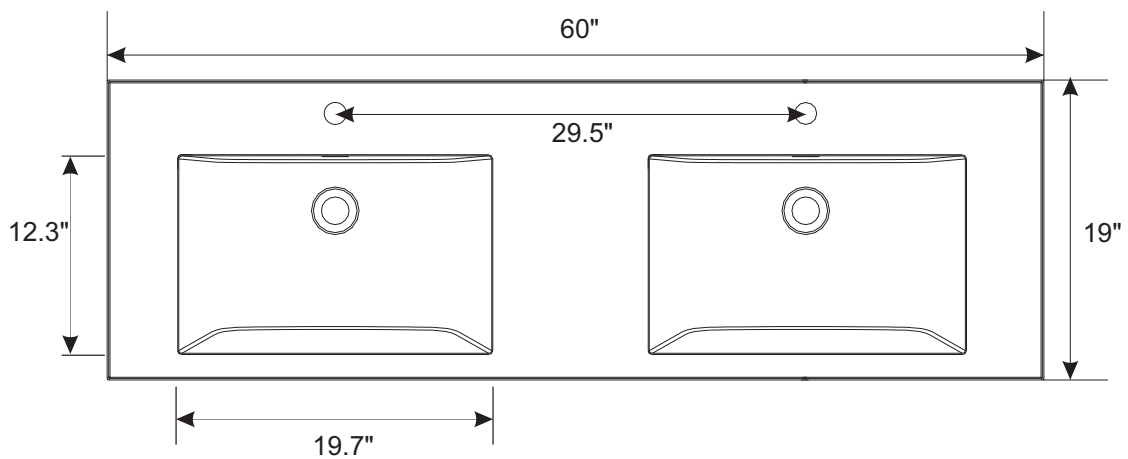
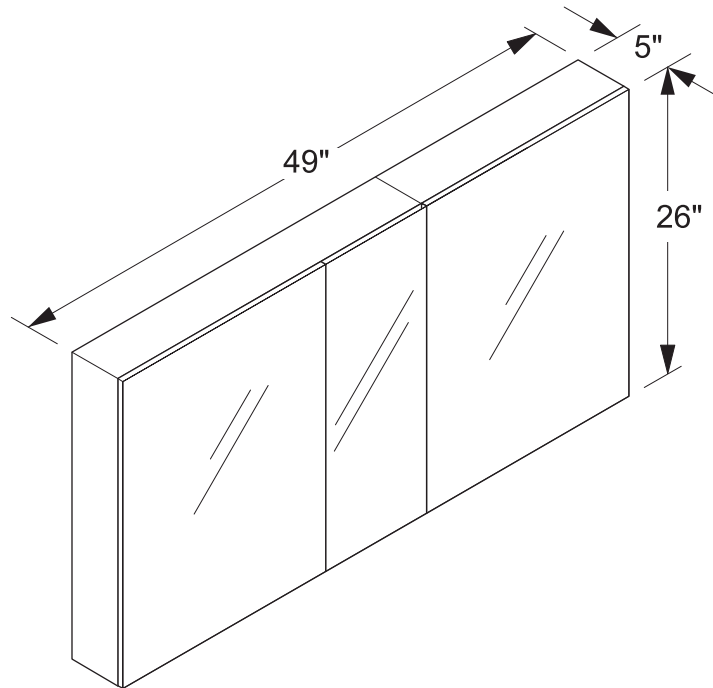
Vanity Front



Vanity Back



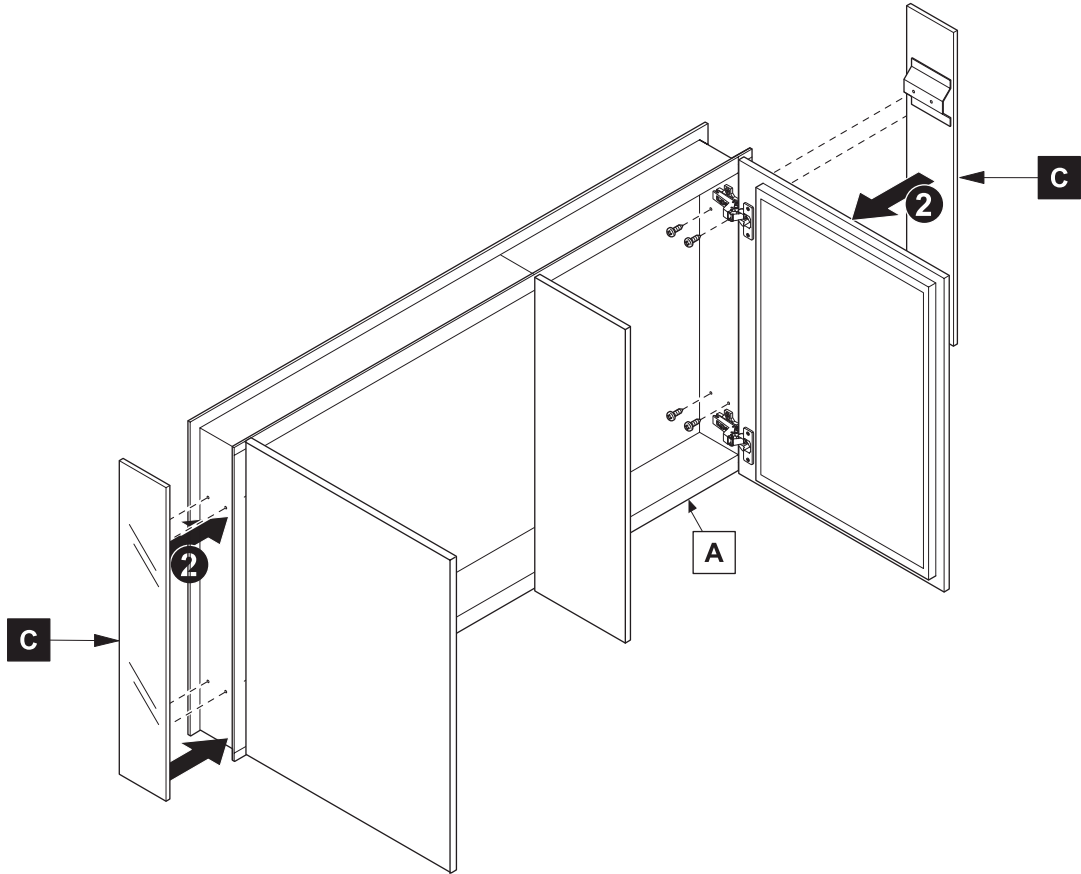
Medicine Cabinet



MEDICINE CABINET INSTALLATION

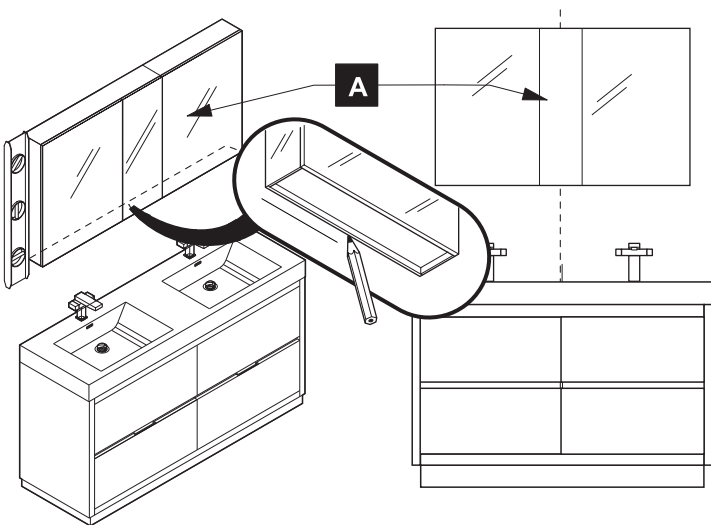
1

Install side mirrors (C)



2

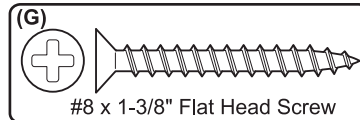
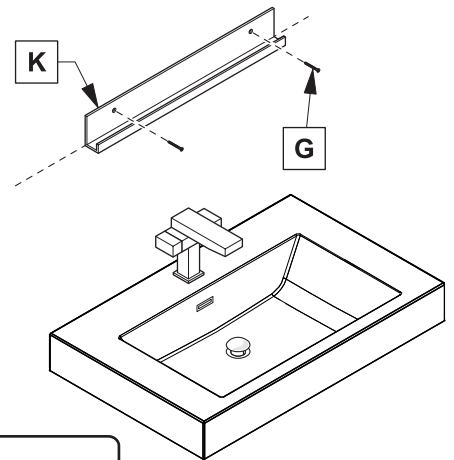
Mark cabinet (A) location



3

Install bottom bracket (K)

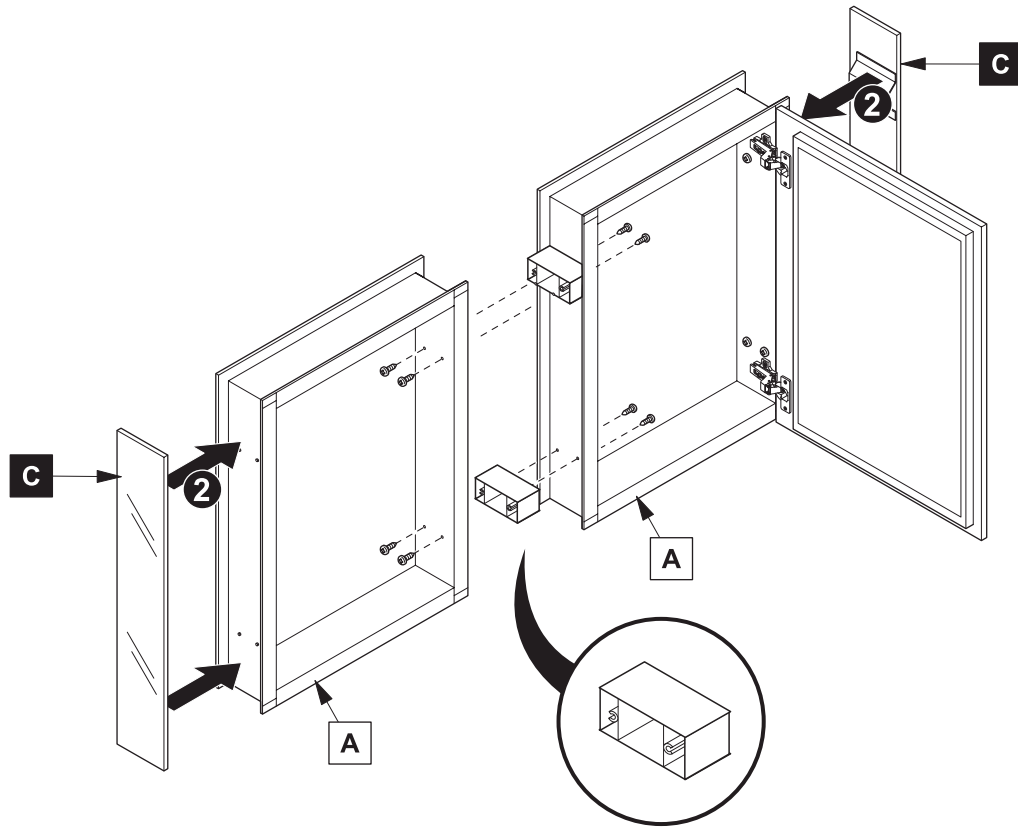
IMPORTANT: Consult an expert for the proper screws/bolts to use when attaching to various wall constructions. Screws provided do not attach to all wall construction types.



MEDICINE CABINET INSTALLATION

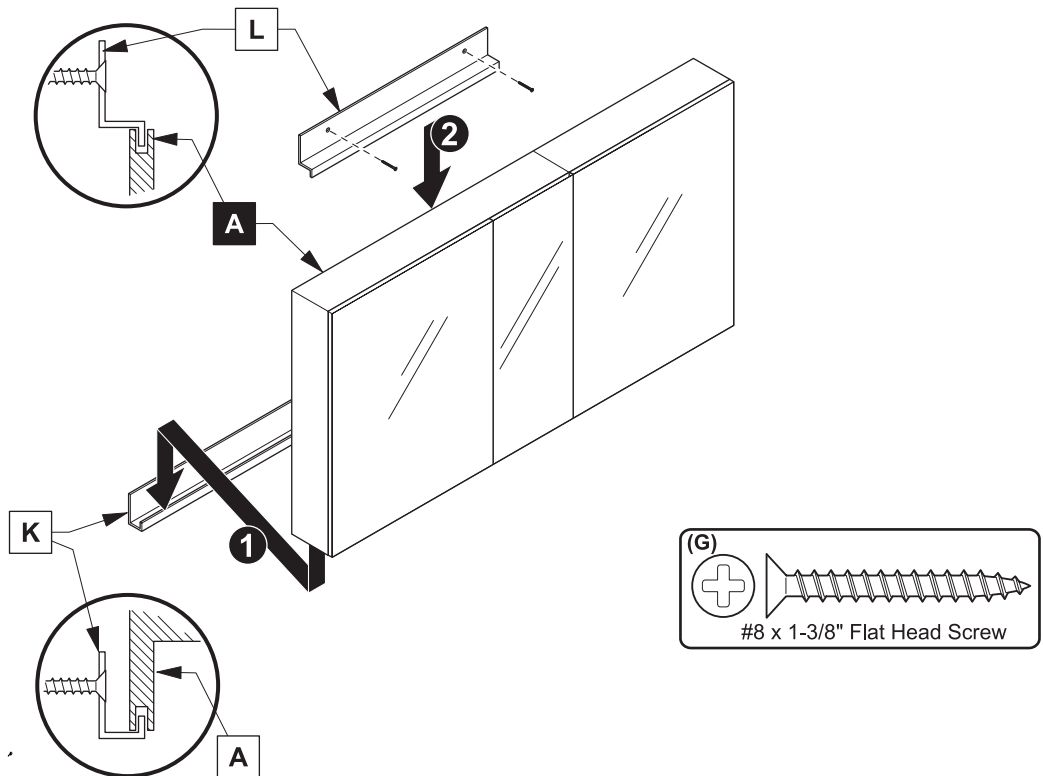
4

Joining of medicine cabinets.



5

Install cabinet (A) and top bracket (L)

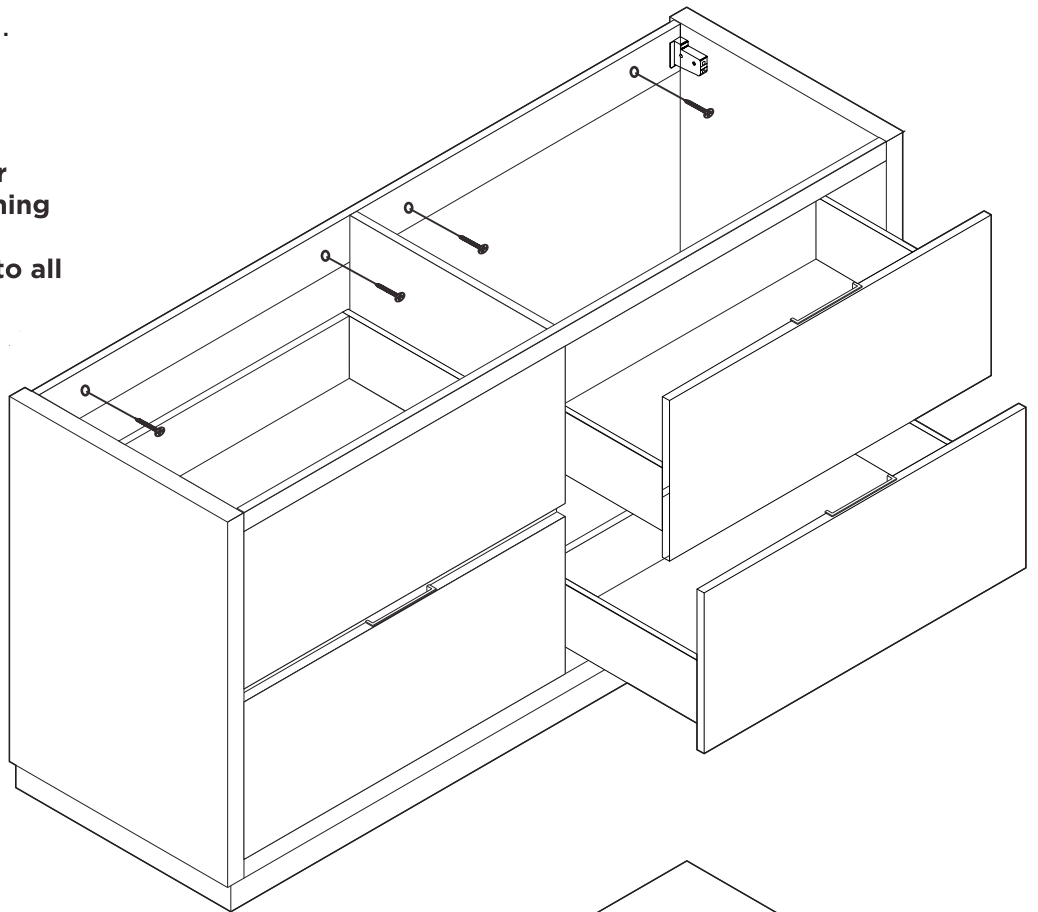


INSTALLATION GUIDE

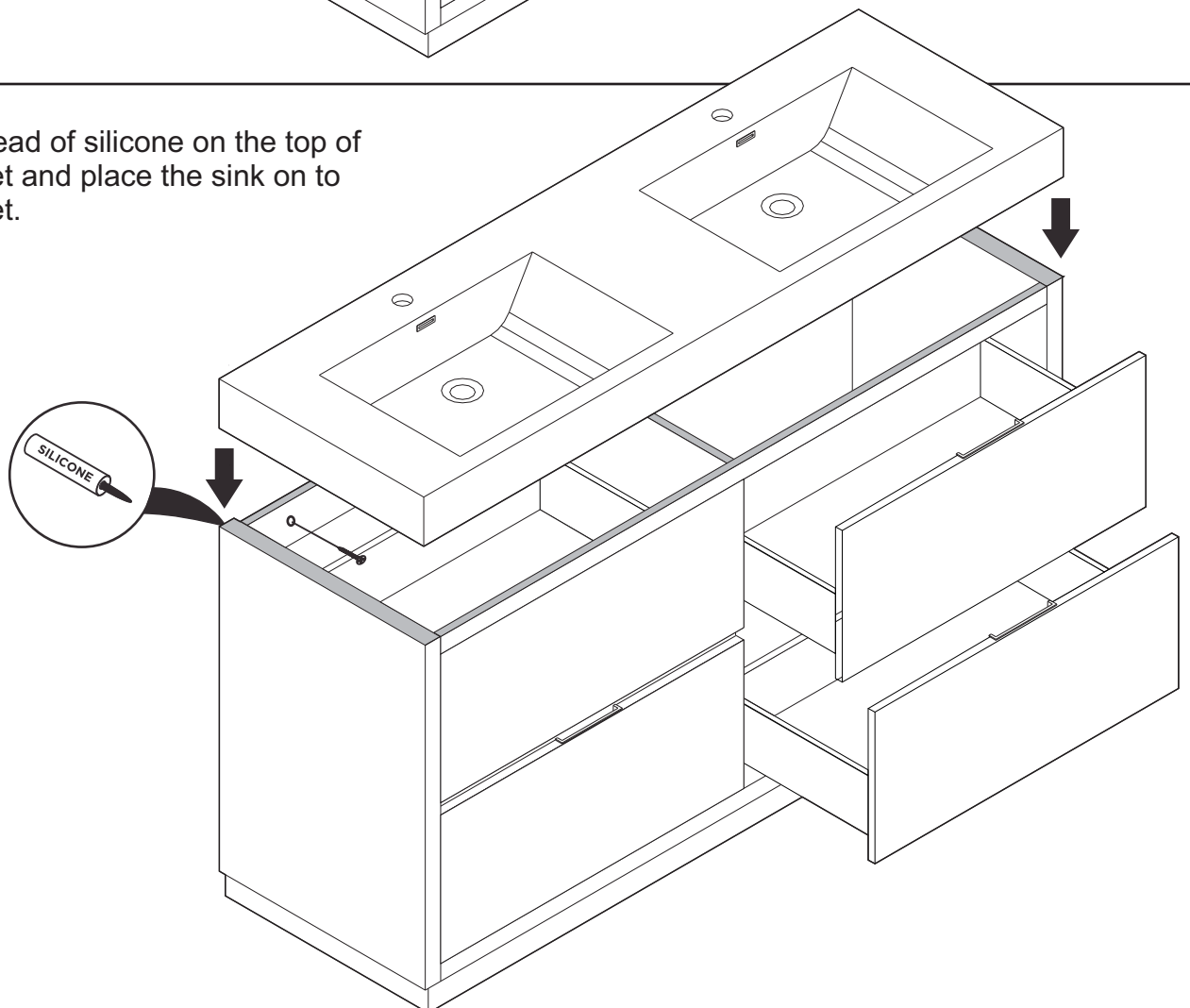
- 1 Secure cabinet to the wall.

IMPORTANT:

Consult an expert for the proper screws/bolts to use when attaching to various wall constructions. Screws provided **do not** attach to all wall construction types.

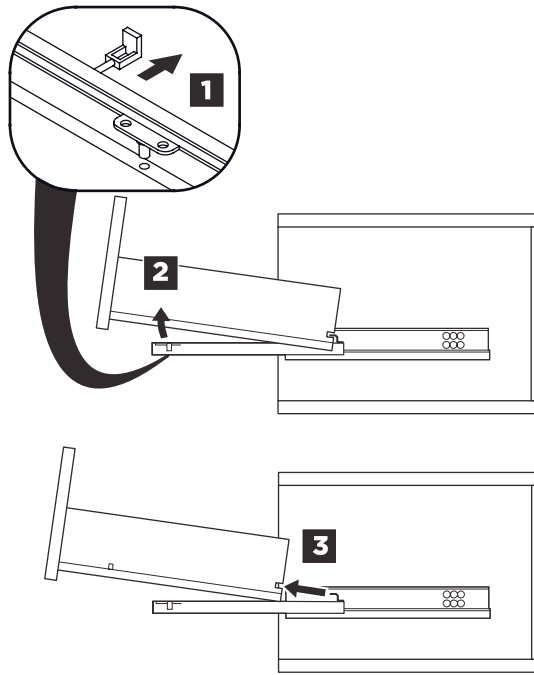


- 2 Apply a bead of silicone on the top of the cabinet and place the sink on to the cabinet.

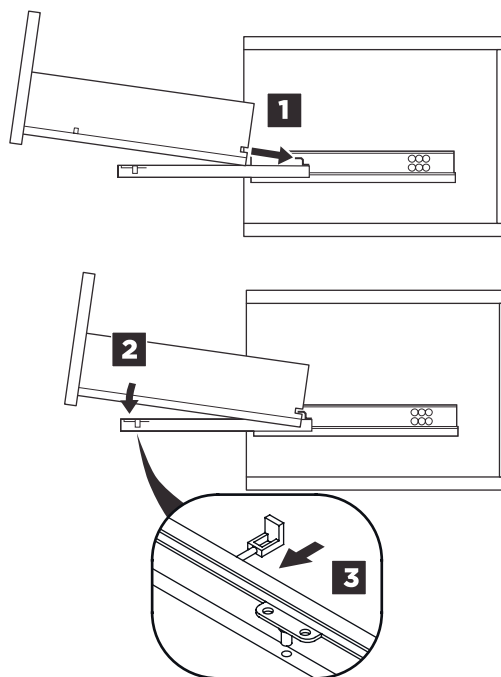


DRAWER REMOVAL & INSTALLATION

REMOVAL



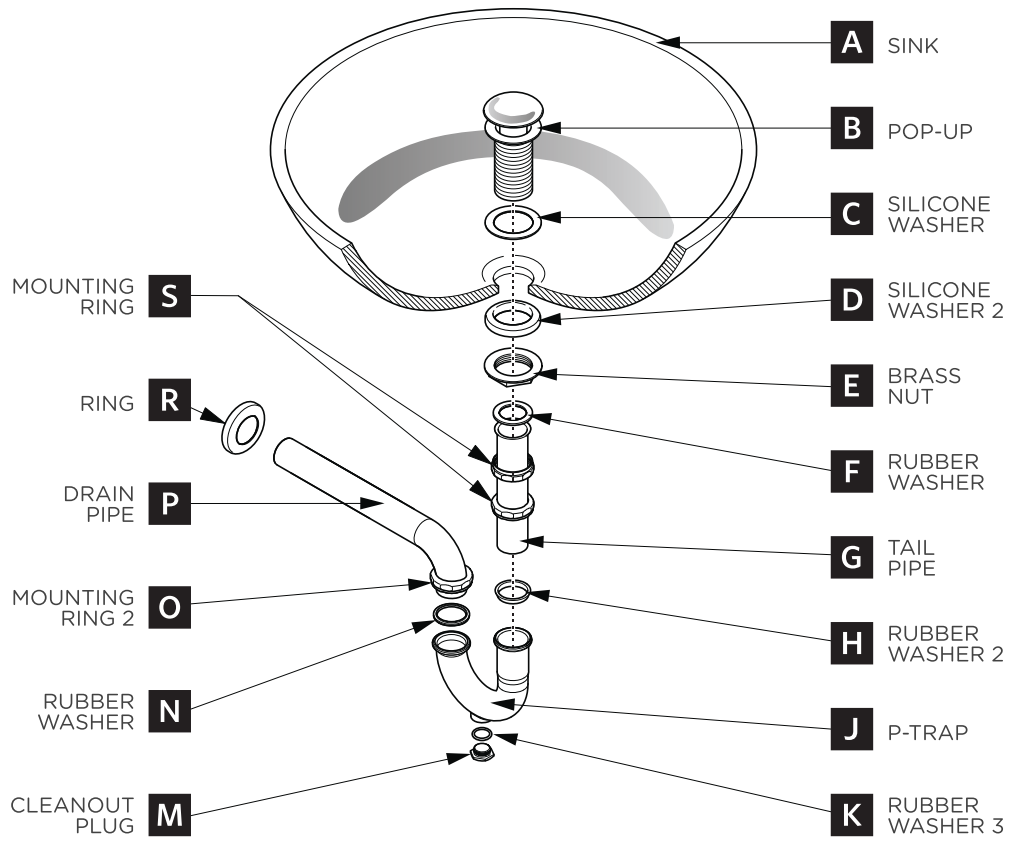
INSTALLATION



P-TRAP & POP-UP

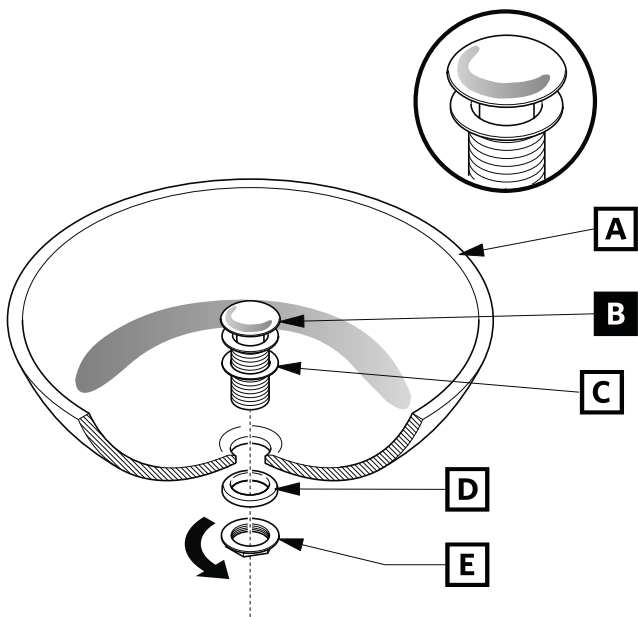
INSTALLATION INSTRUCTIONS

Your item may appear slightly different from the illustration.



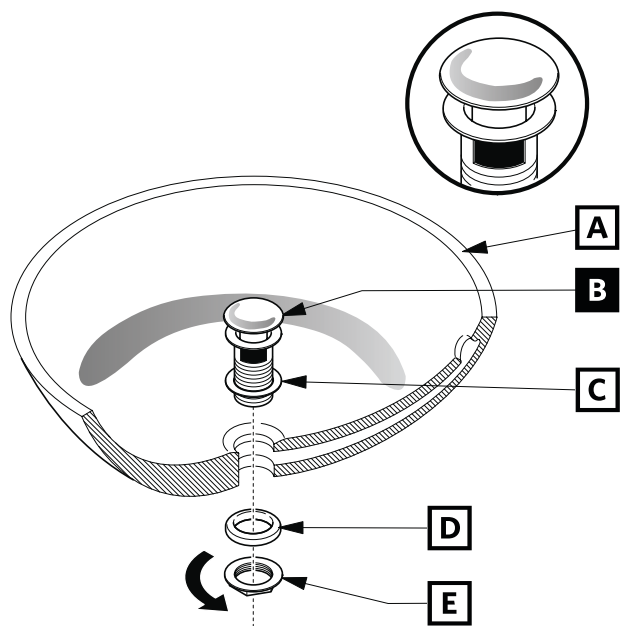
POP-UP INSTALLATION

FOR SINKS WITHOUT OVERFLOW



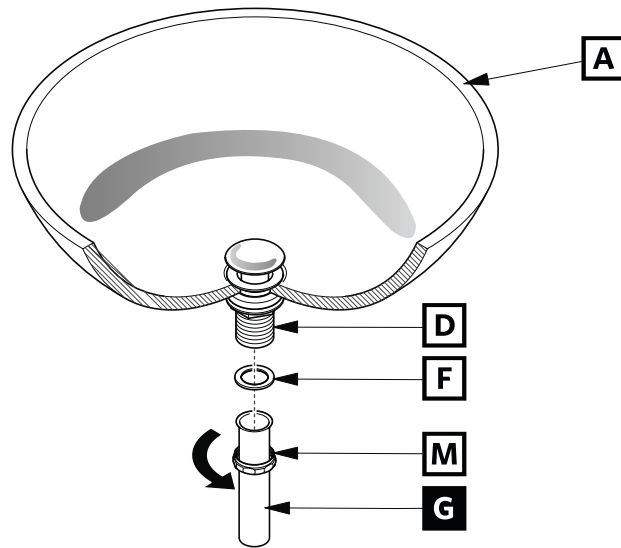
OR

FOR SINKS WITH OVERFLOW



P-TRAP INSTALLATION

1. Install tail pipe (G)



2. Install P-trap (J)

