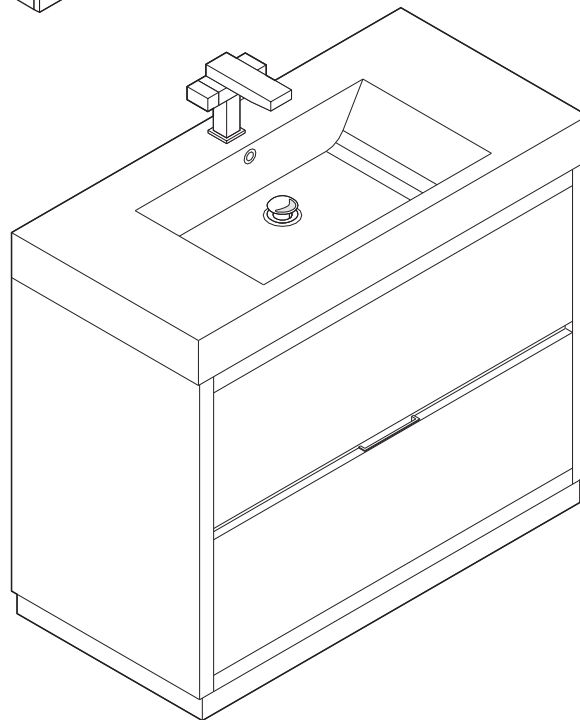
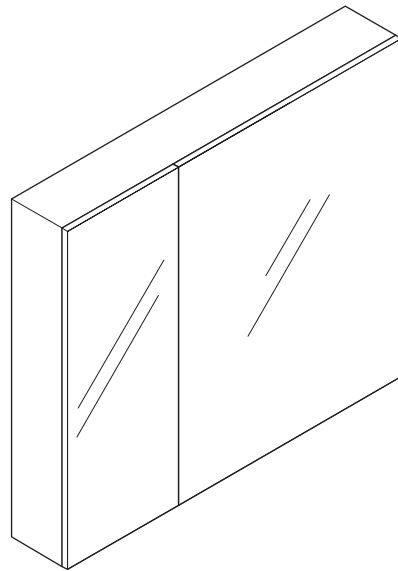
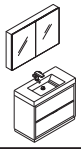
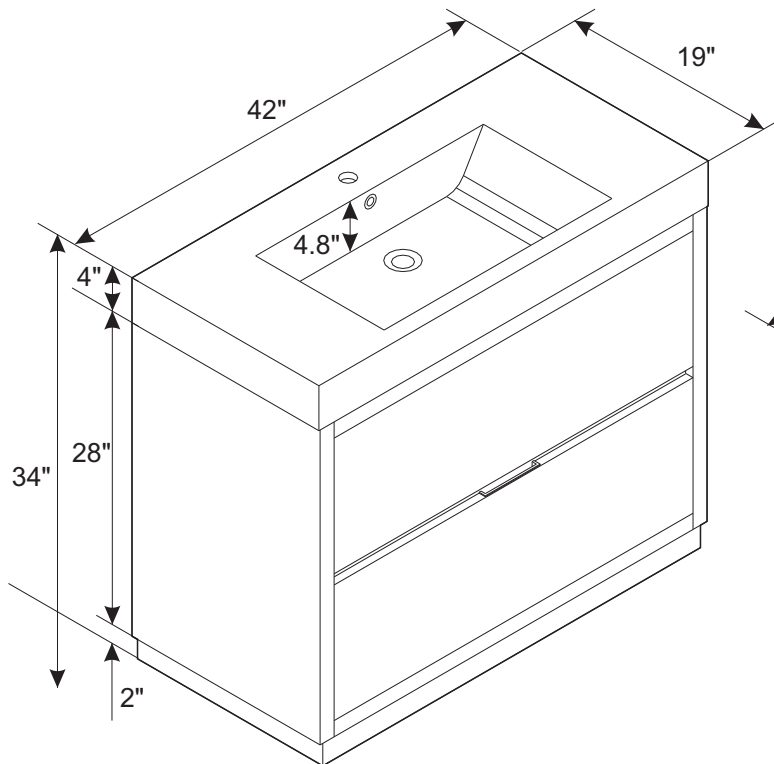
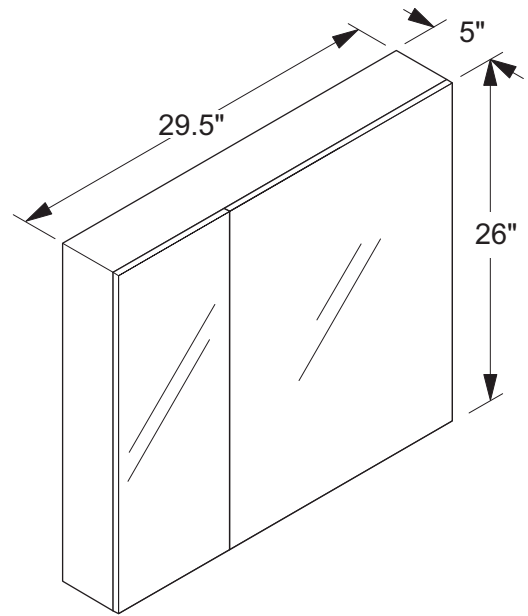
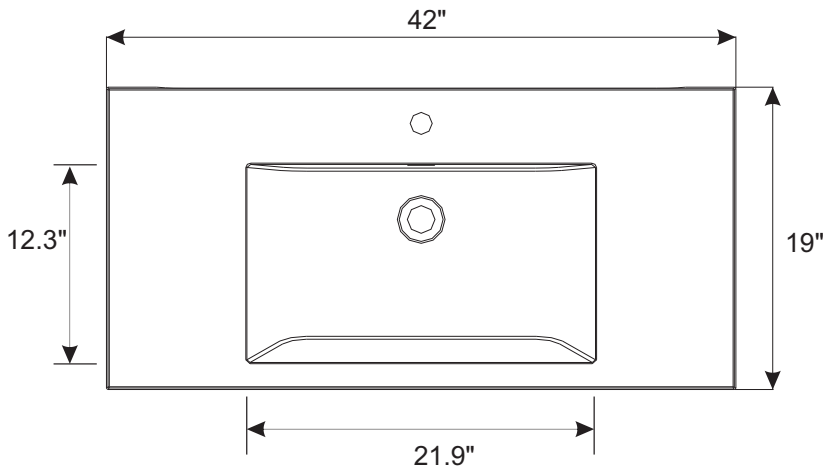


FVN8442
VALENCIA
INSTALLATION GUIDE

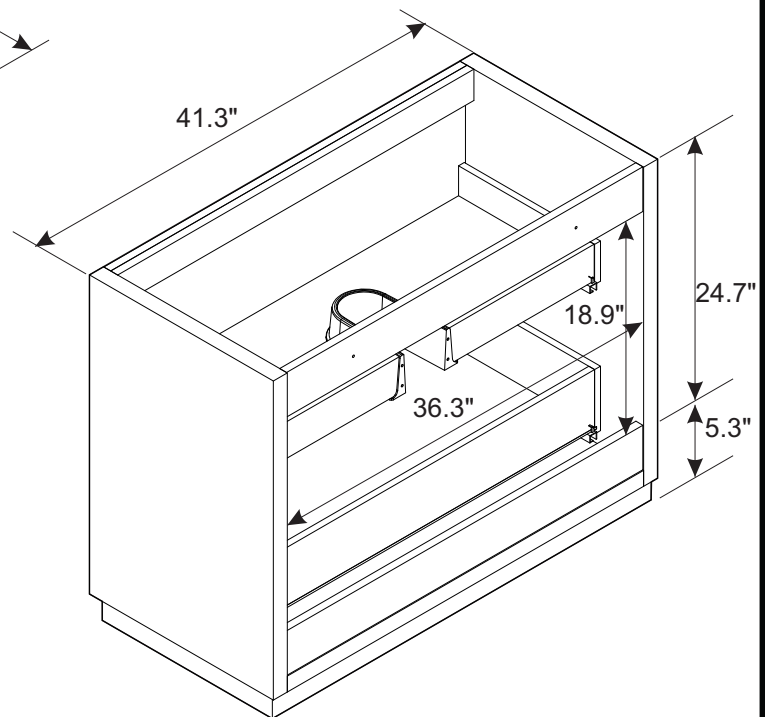




Medicine Cabinet



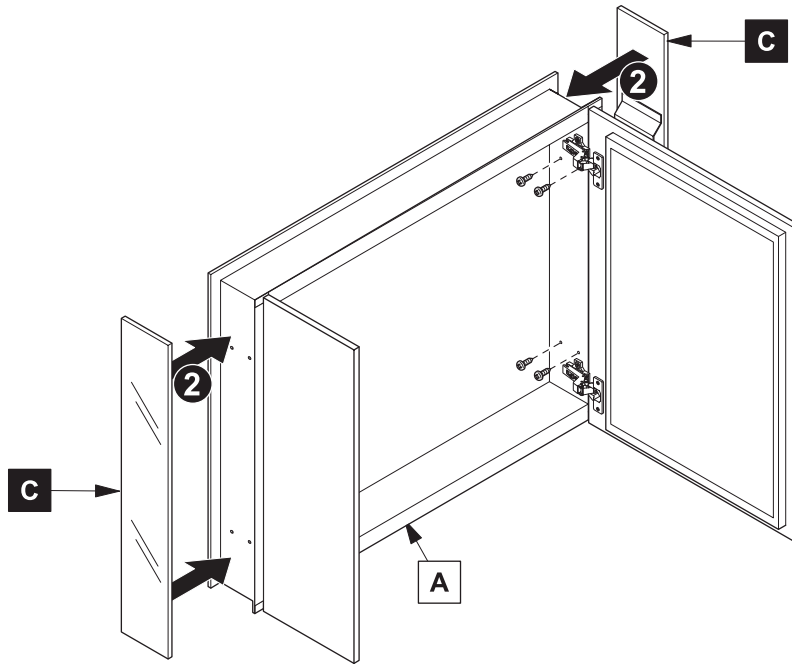
Vanity Front



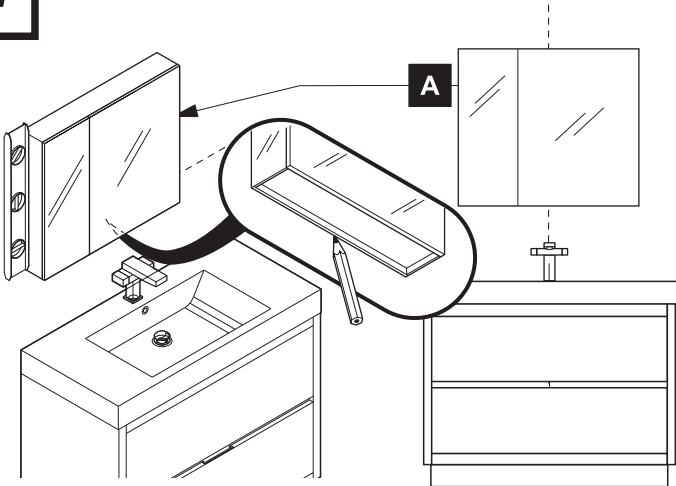
Vanity Back

MEDICINE CABINET INSTALLATION

1 Install side mirrors (C)

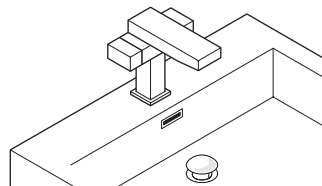
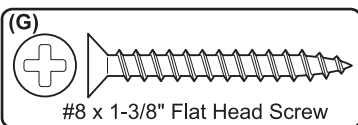
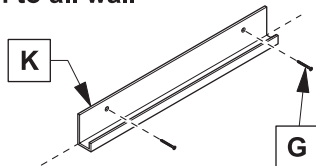


2 Mark cabinet (A) location

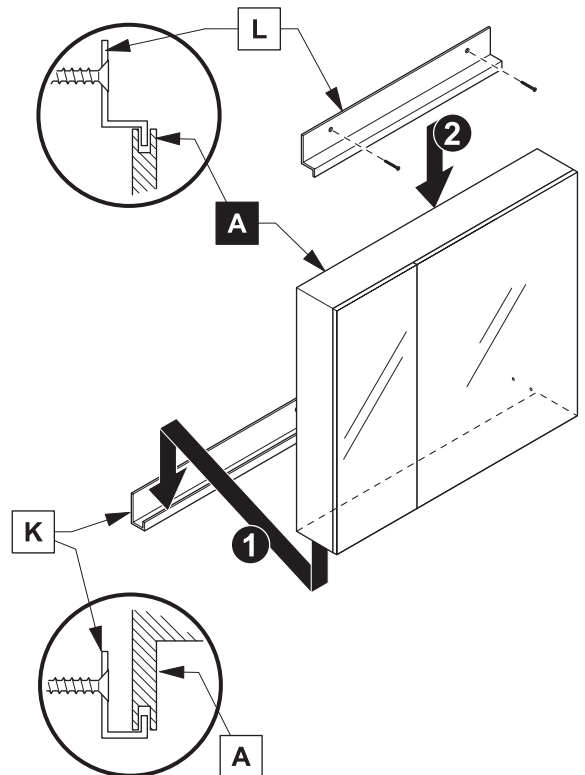
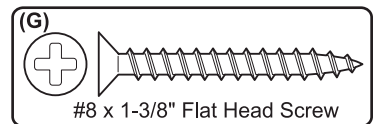


3 Install bottom bracket (K)

IMPORTANT: Consult an expert for the proper screws/bolts to use when attaching to various wall constructions. Screws provided do not attach to all wall construction types.



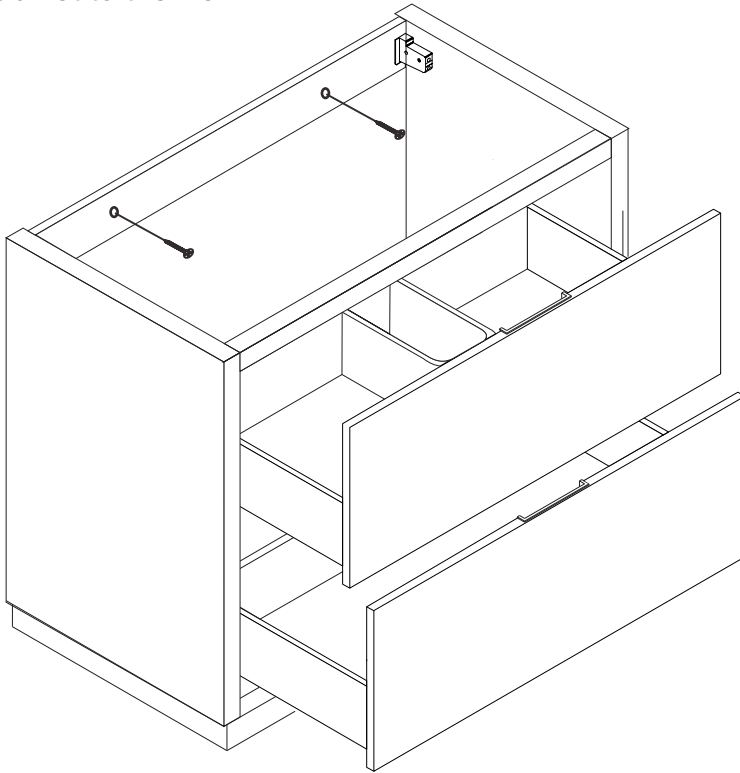
4 Install cabinet (A) and top bracket (L)



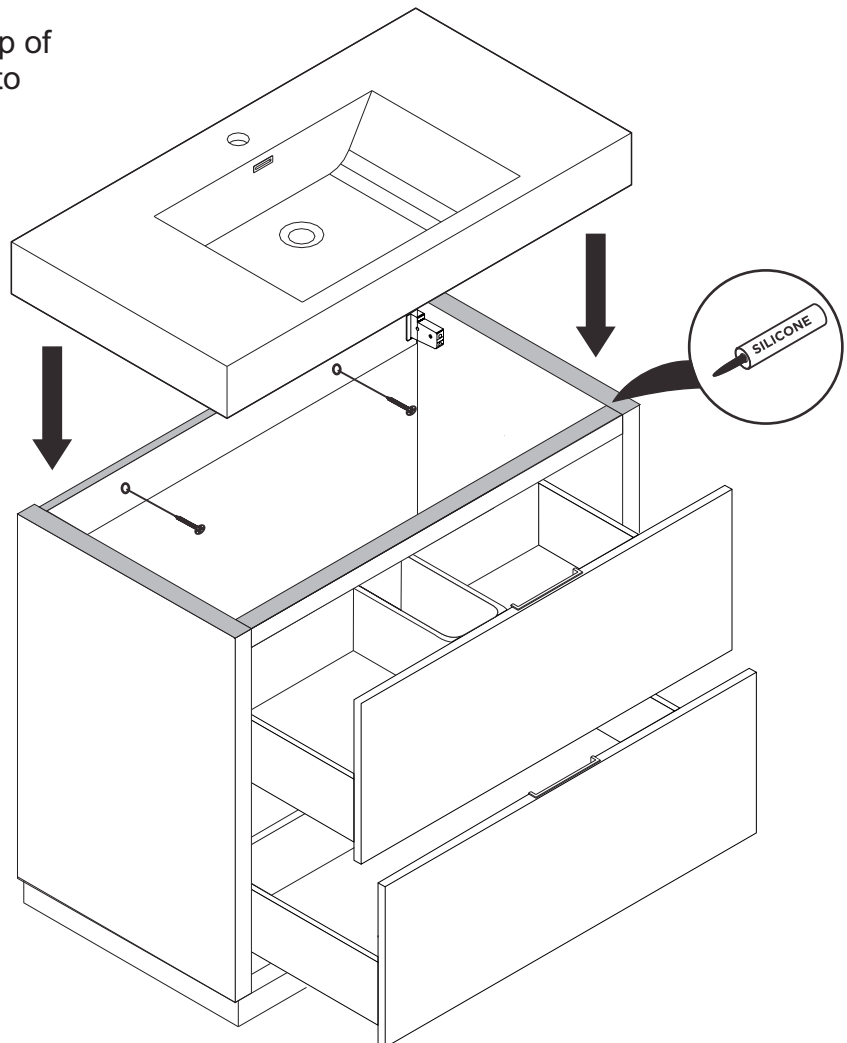
INSTALLATION GUIDE

- 1 Secure cabinet to the wall.

IMPORTANT: Consult an expert for the proper screws/bolts to use when attaching to various wall constructions. Screws provided do not attach to all wall construction types.

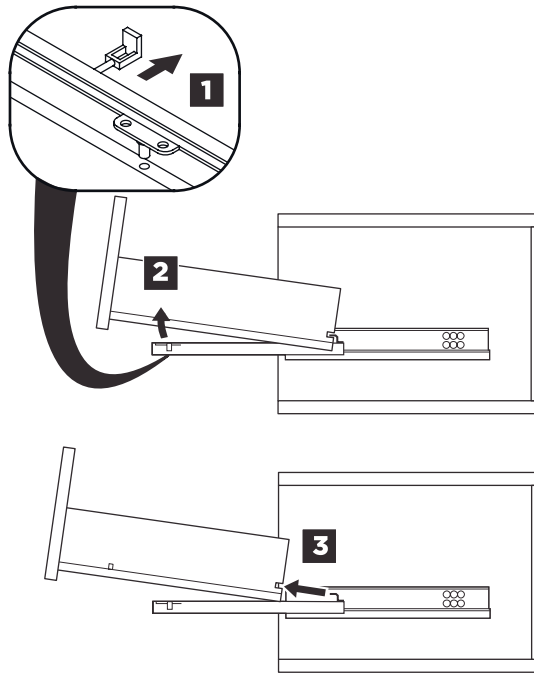


- 2 Apply a bead of silicone on the top of the cabinet and place the sink on to the cabinet.

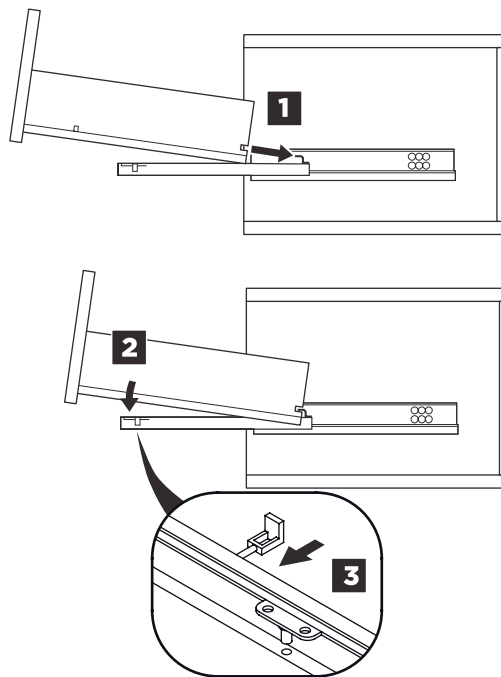


DRAWER REMOVAL & INSTALLATION

REMOVAL



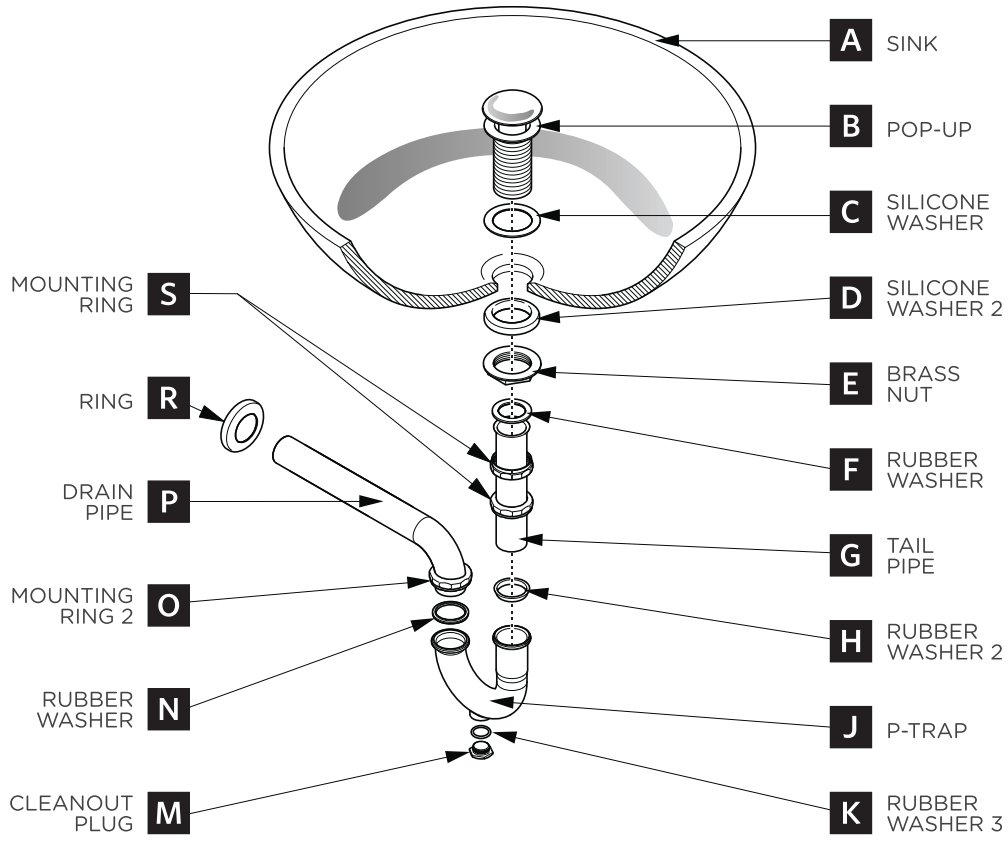
INSTALLATION



P-TRAP & POP-UP

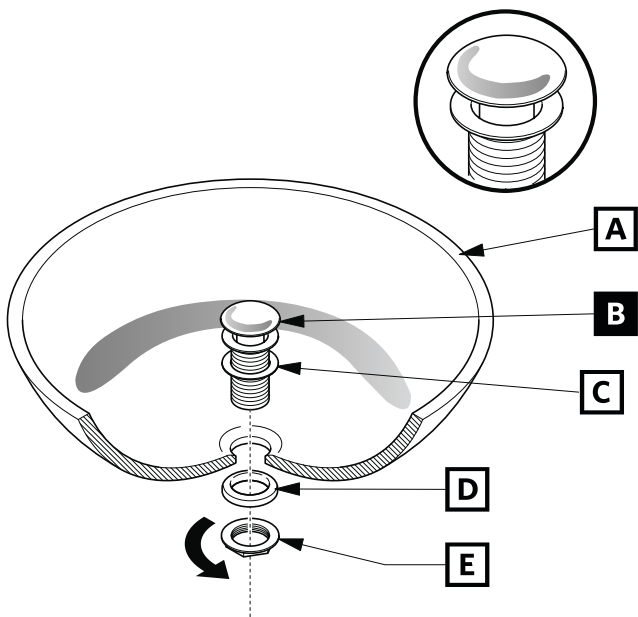
INSTALLATION INSTRUCTIONS

Your item may appear slightly different from the illustration.



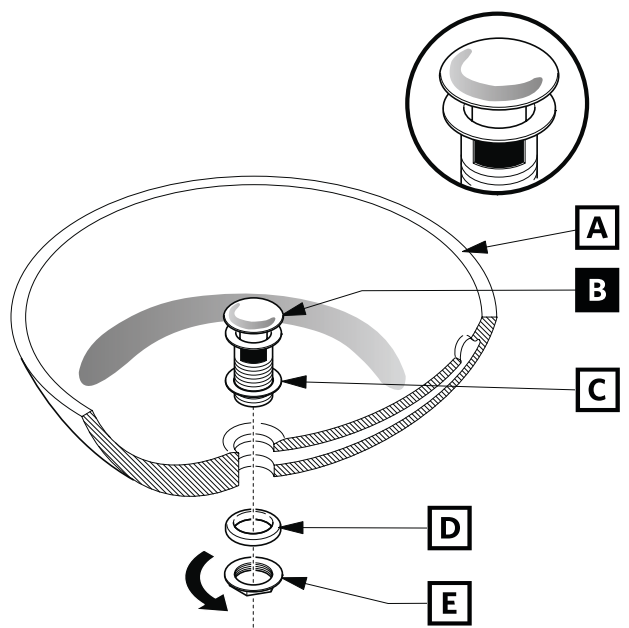
POP-UP INSTALLATION

FOR SINKS WITHOUT OVERFLOW



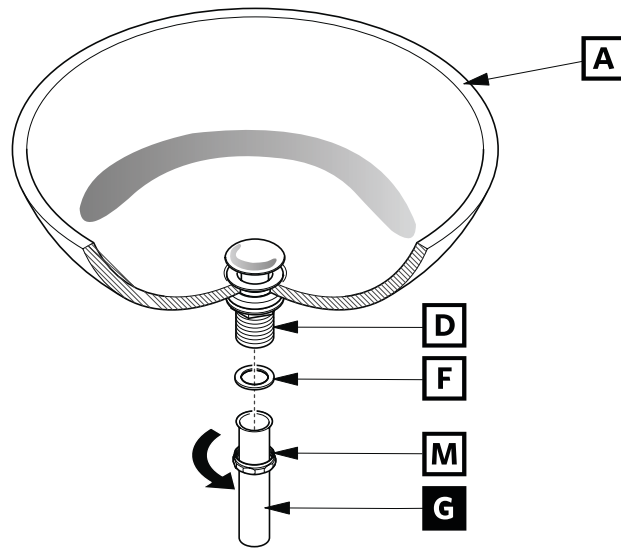
OR

FOR SINKS WITH OVERFLOW



P-TRAP INSTALLATION

1. Install tail pipe (G)



2. Install P-trap (J)

