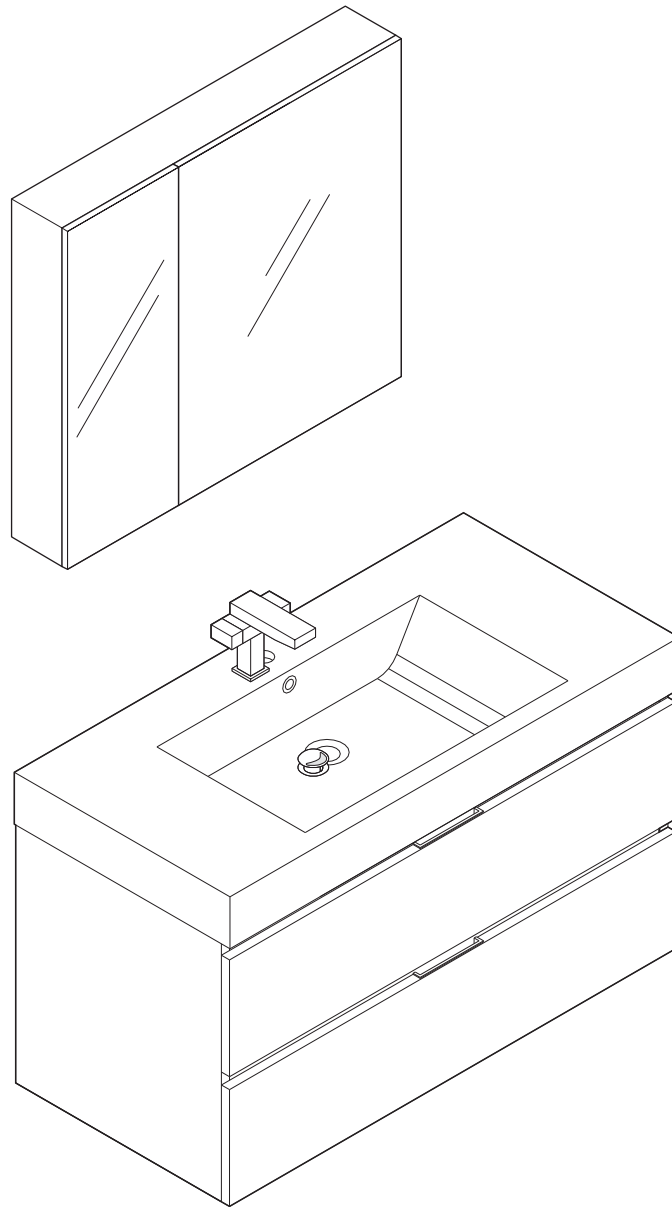
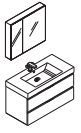
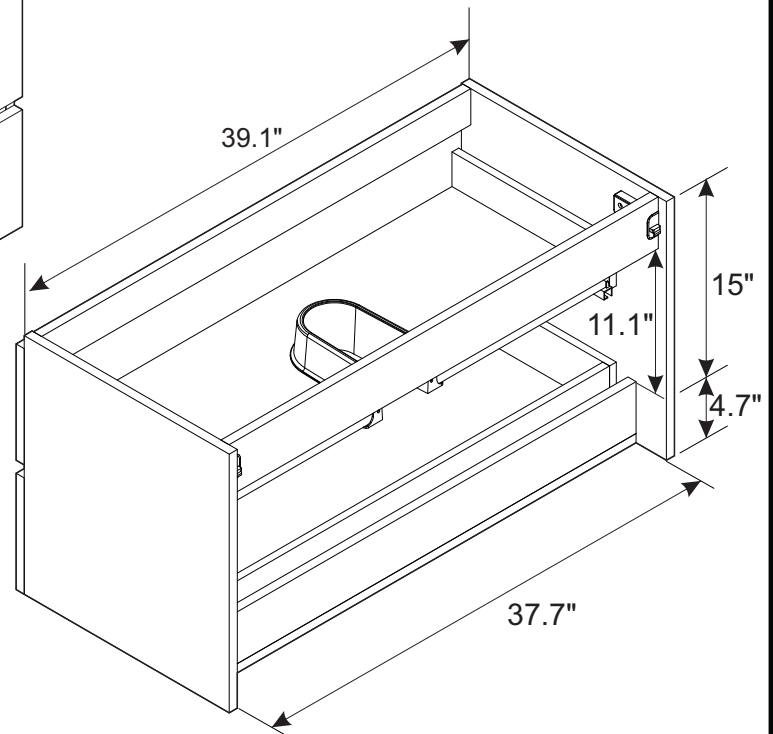
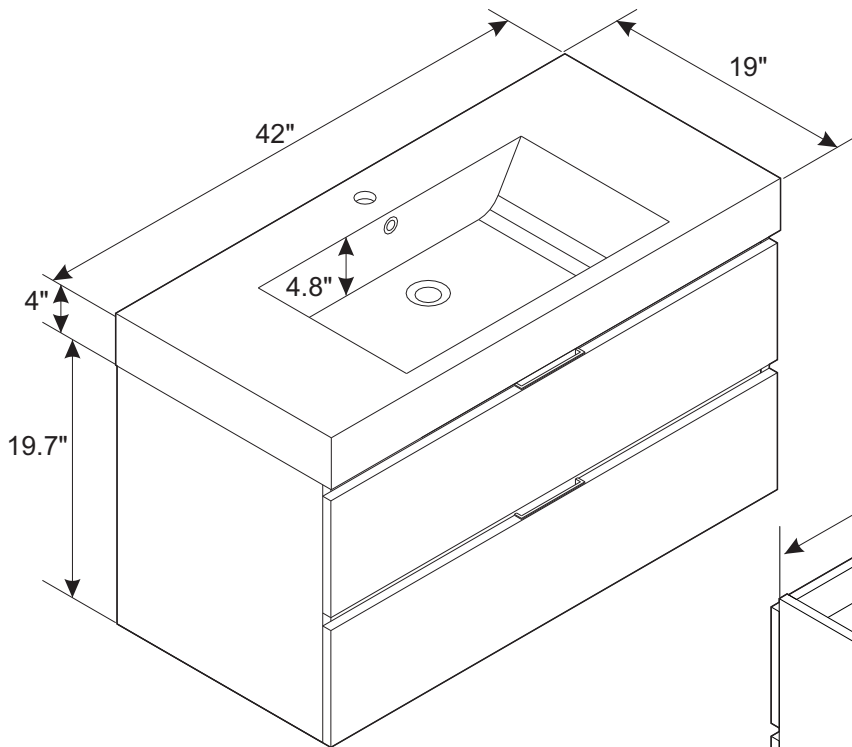
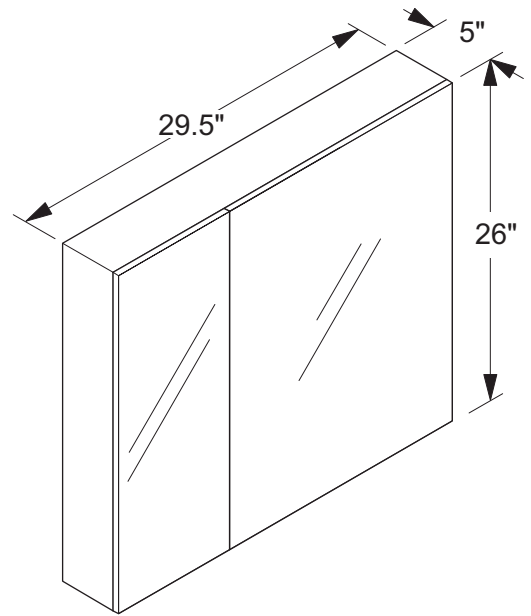
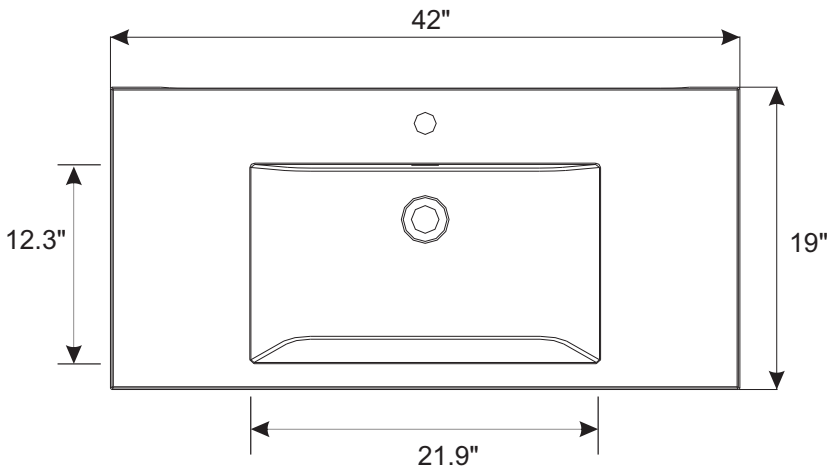


FVN8342
VALENCIA
INSTALLATION GUIDE





Medicine Cabinet



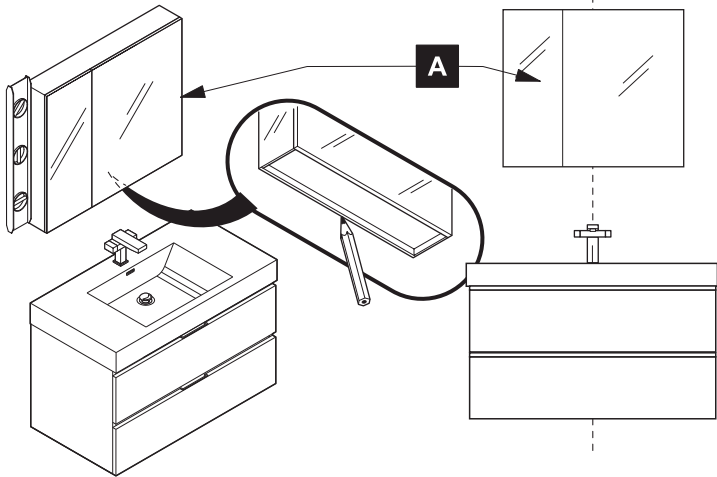
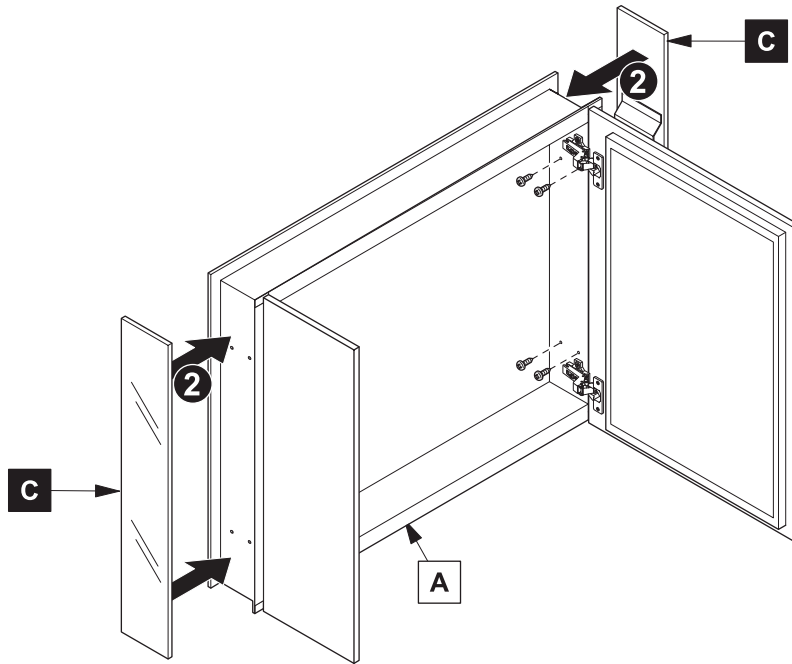
Vanity Front

Vanity Back

MEDICINE CABINET INSTALLATION

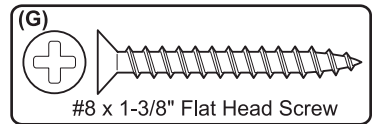
1

Install side mirrors (C)



4

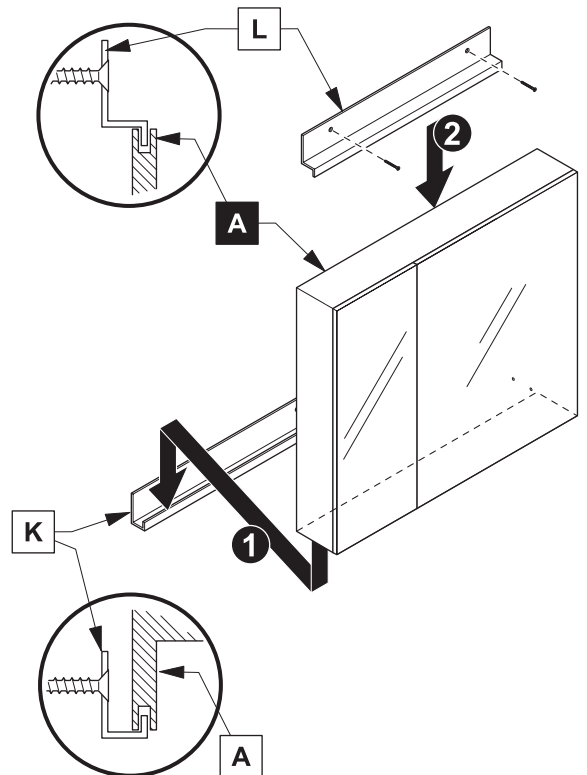
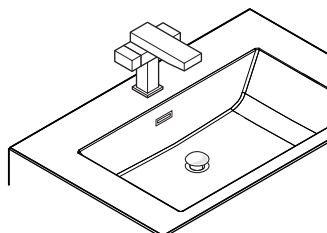
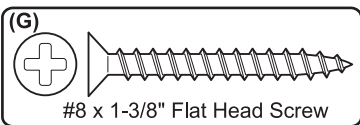
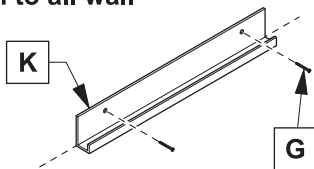
Install cabinet (A) and top bracket (L)



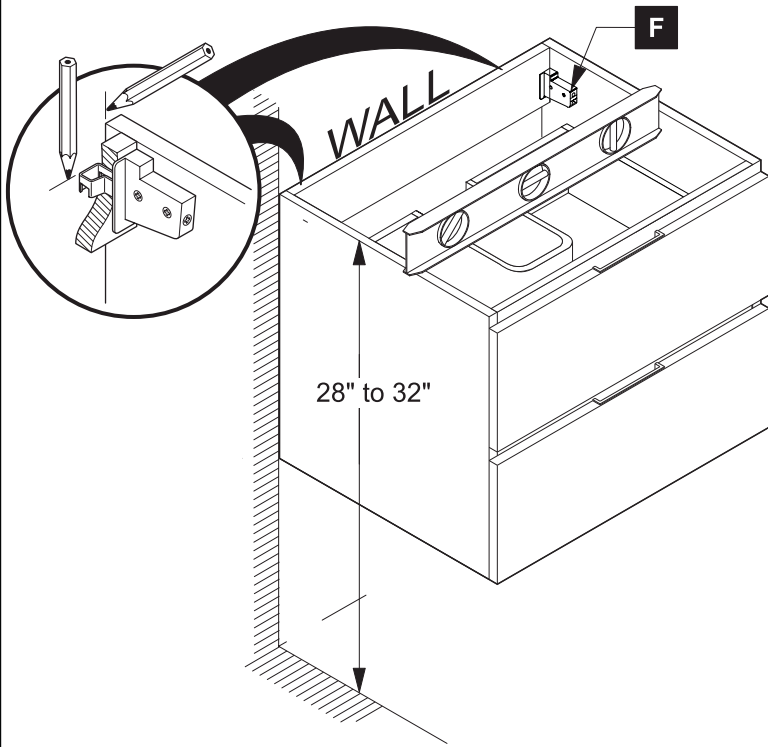
3

Install bottom bracket (K)

IMPORTANT: Consult an expert for the proper screws/bolts to use when attaching to various wall constructions. Screws provided do not attach to all wall construction types.

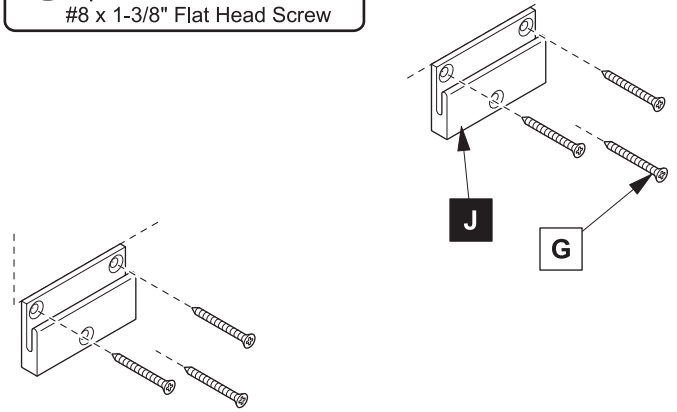
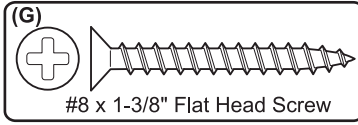


1 Mark cabinet (F) location on the wall

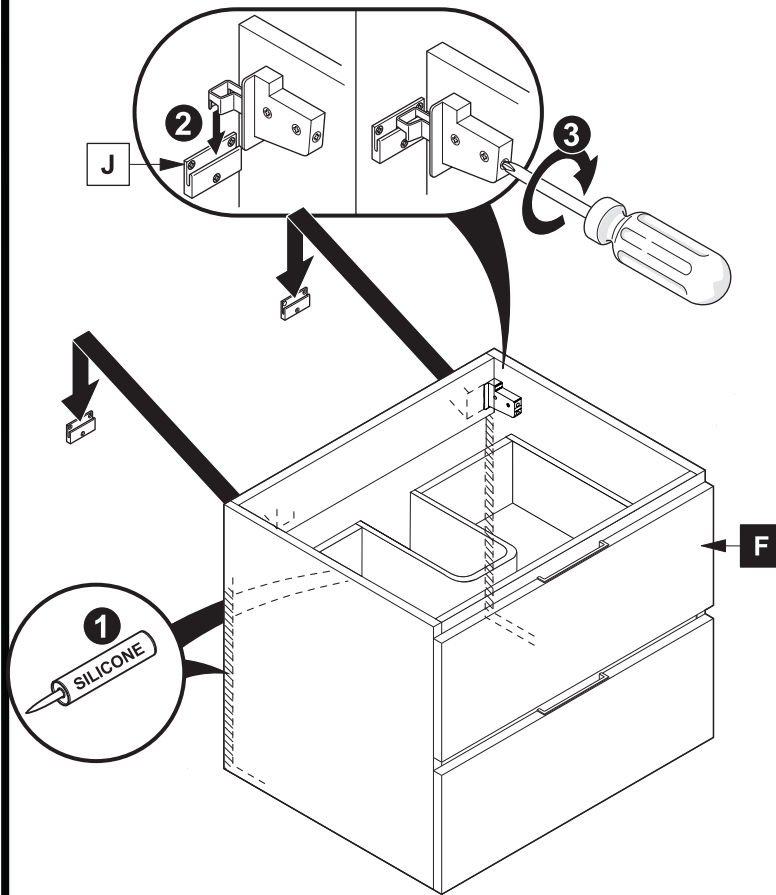


2 Install wall brackets (J)

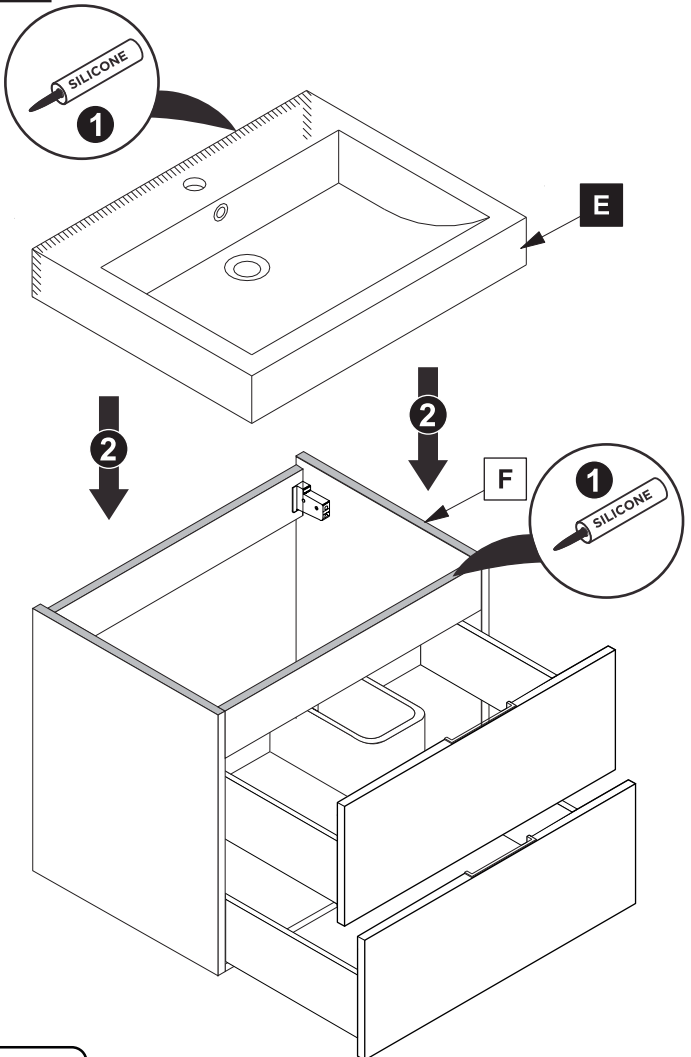
IMPORTANT: Consult an expert for the proper screws / bolts to use when attaching to various wall constructions. Screws provided *do not* attach to all wall construction types.



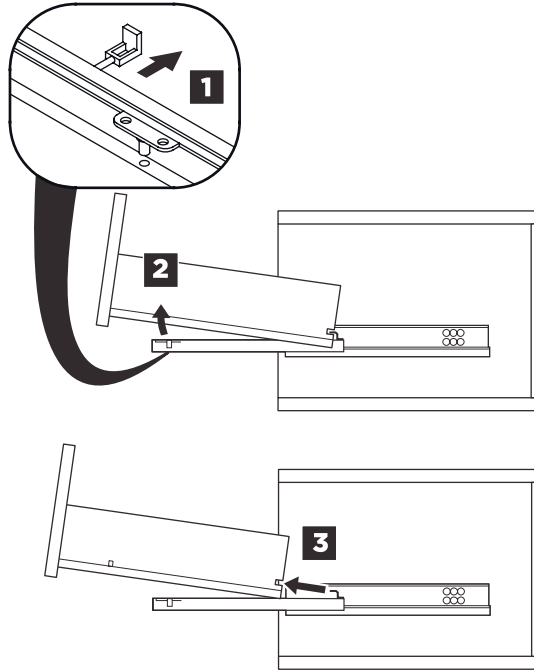
3



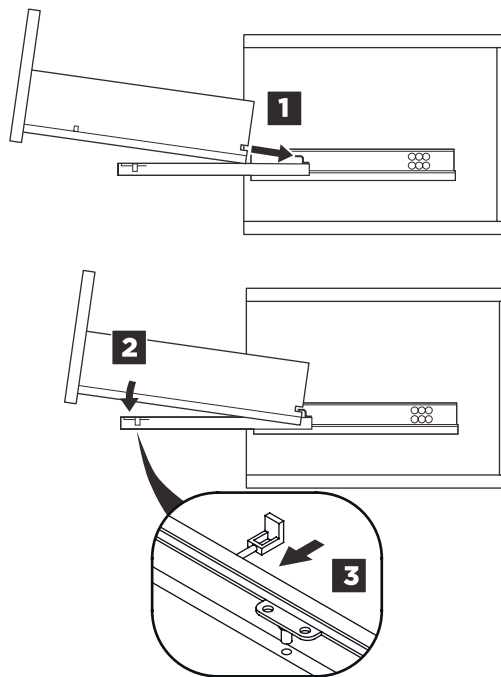
4 Apply silicone and install sink (E)



REMOVAL



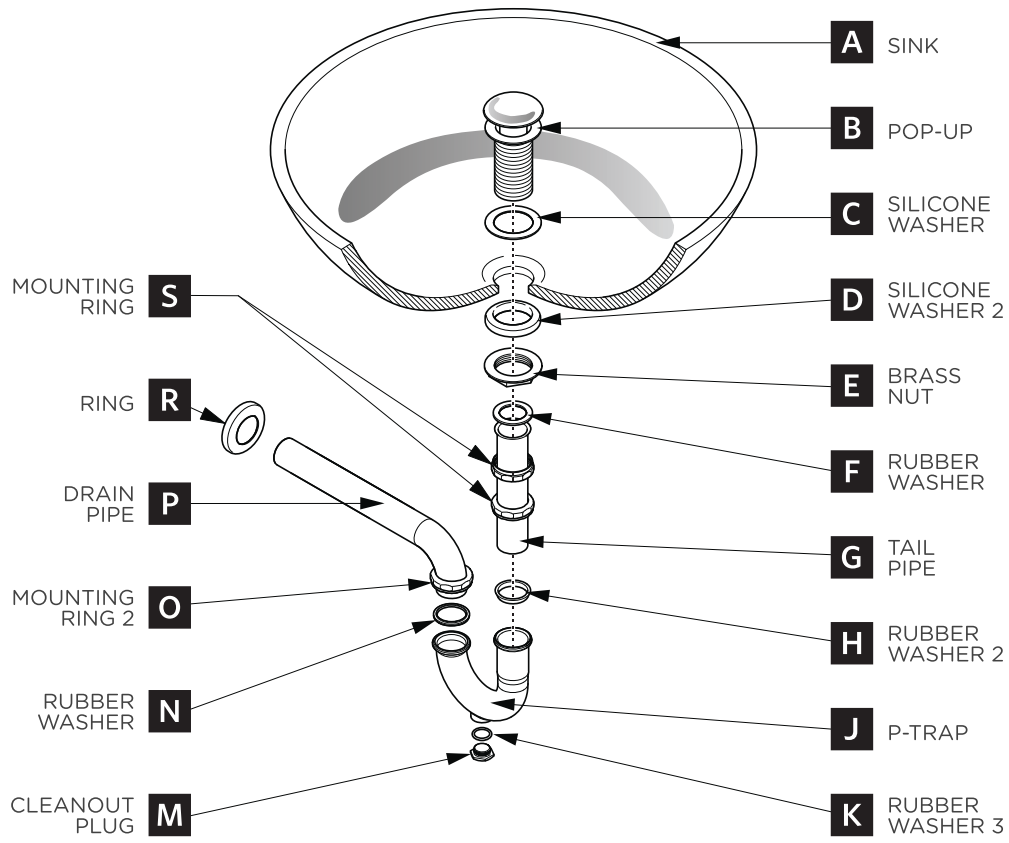
INSTALLATION



P-TRAP & POP-UP

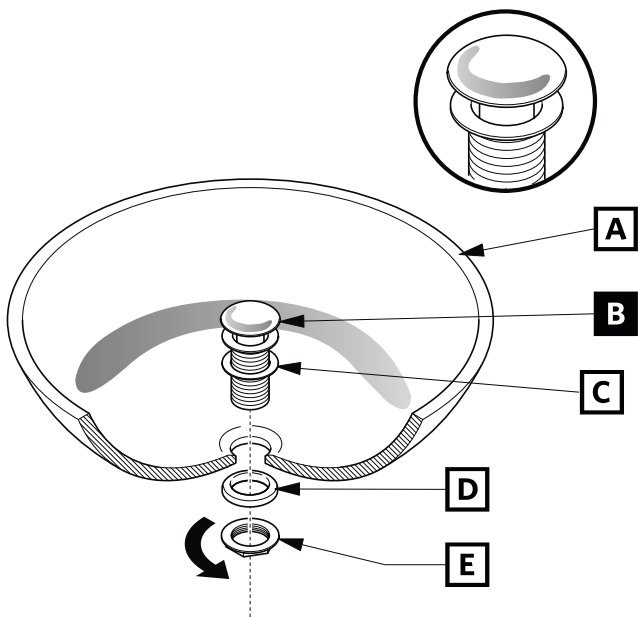
INSTALLATION INSTRUCTIONS

Your item may appear slightly different from the illustration.



POP-UP INSTALLATION

FOR SINKS WITHOUT OVERFLOW



OR

FOR SINKS WITH OVERFLOW

