



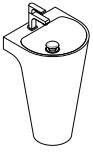
FVN5023

PARMA

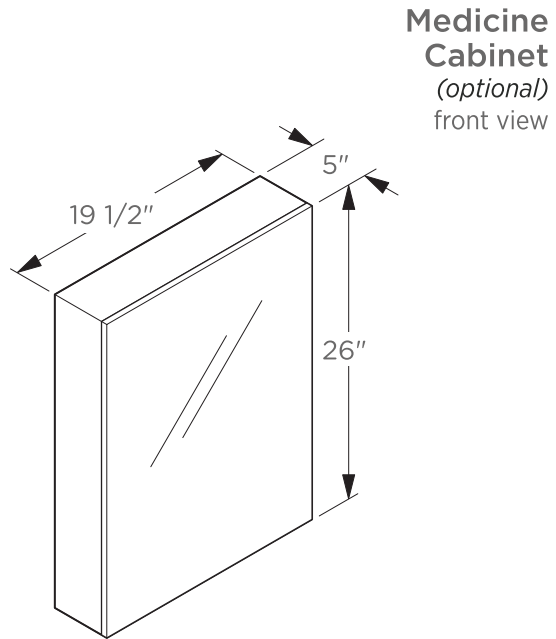
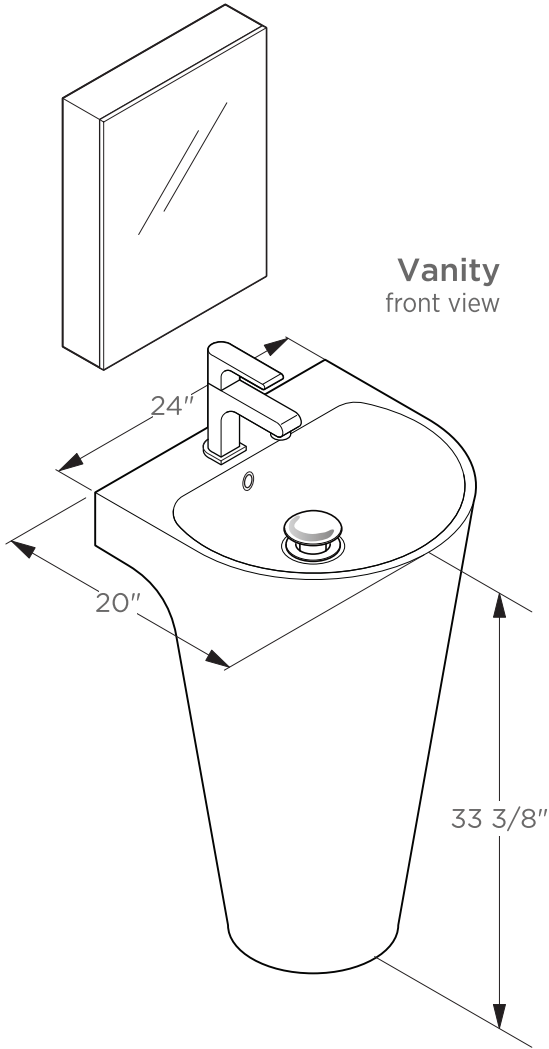
INSTALLATION GUIDE

CONTENTS:

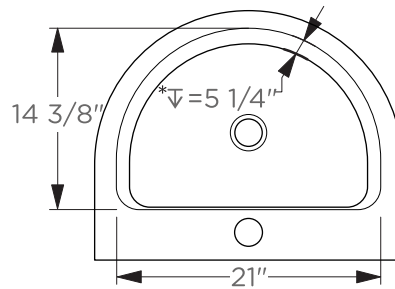
Pedestal.....(FCB5024).....	PAGE 2
Medicine Cabinet (FMC8058).....	PAGE 3



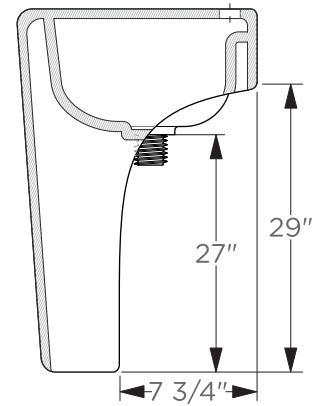
**FVN5023
PARMA
INSTALLATION GUIDE**



Pedestal
top view



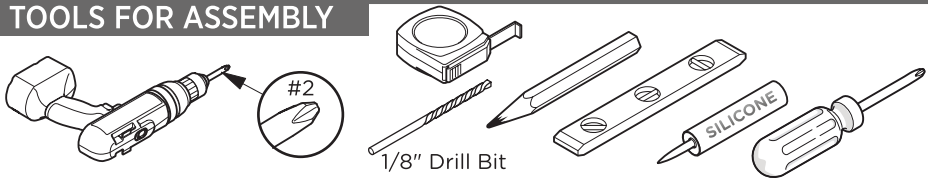
Pedestal
side view



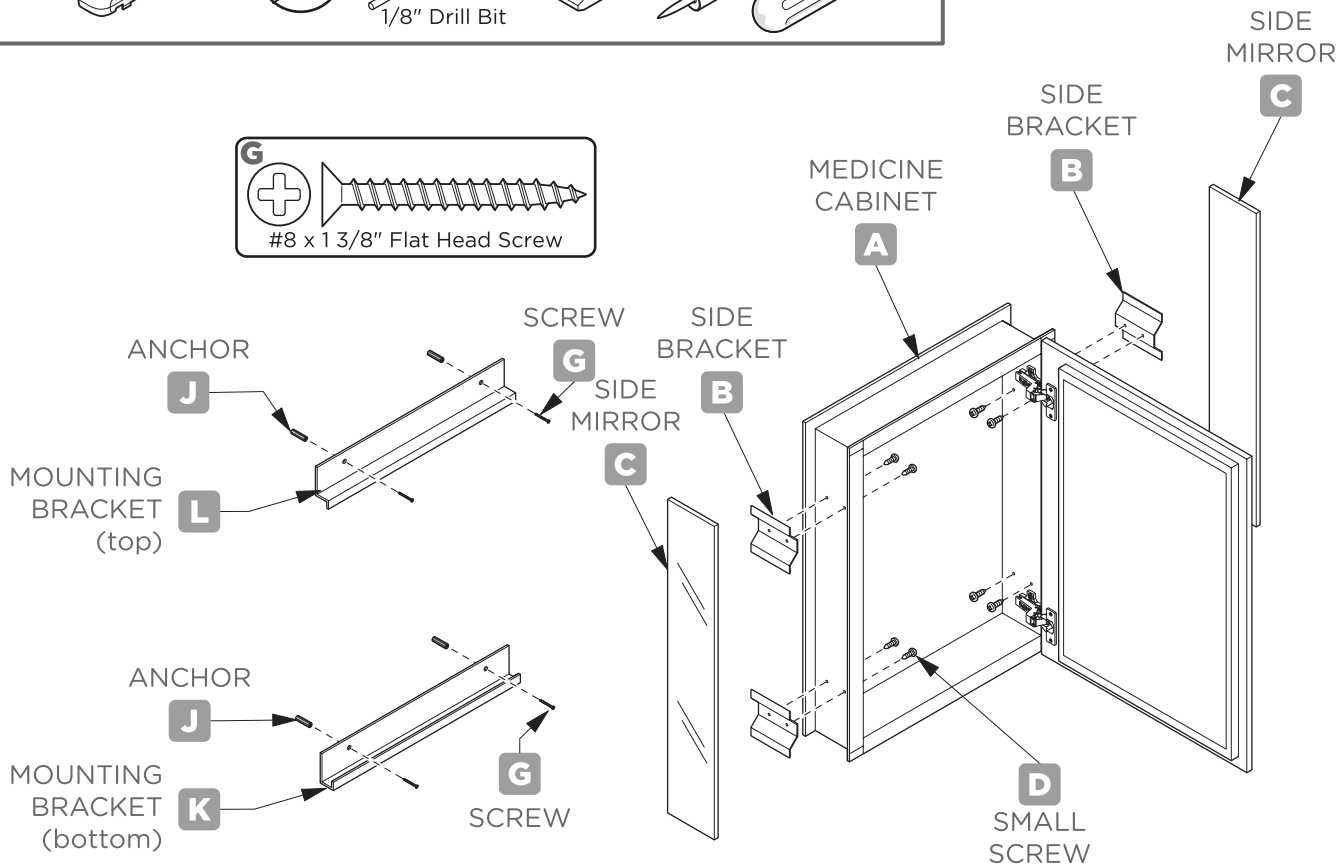
*▽ = Height

NOTE: ALL DIMENSIONS & SPECIFICATIONS ARE APPROXIMATE AND SUBJECT TO CHANGE WITHOUT NOTICE.

TOOLS FOR ASSEMBLY



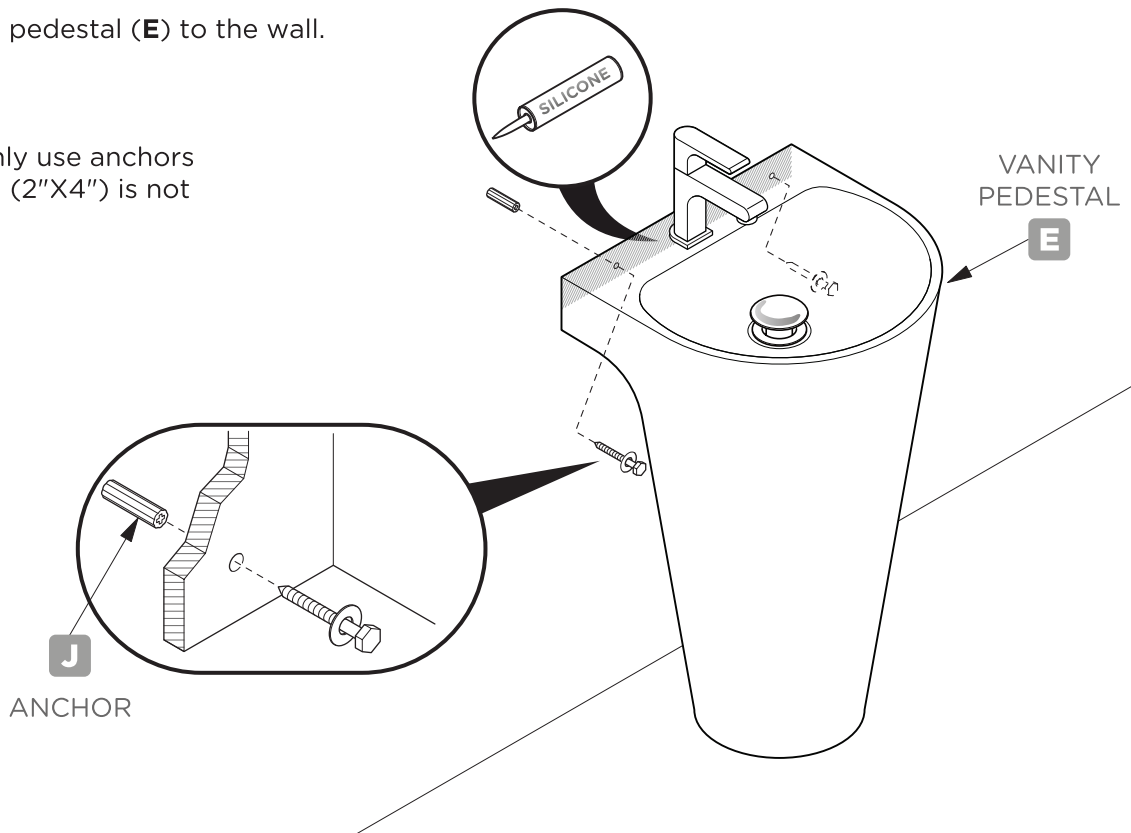
PARTS



PEDESTAL INSTALLATION

- 1 Connect pedestal (**E**) to the wall.

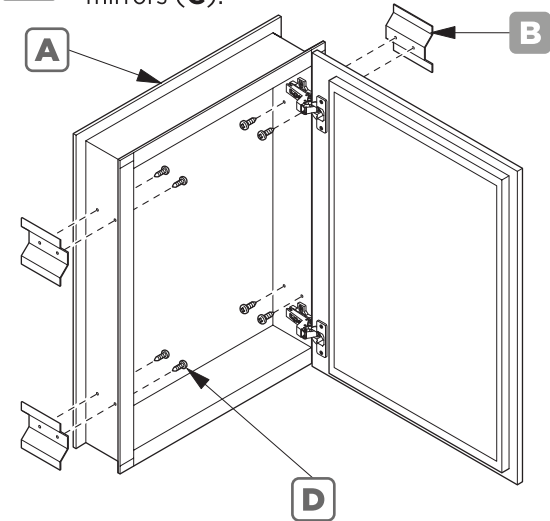
NOTE: Only use anchors (**J**) if stud (2"X4") is not available.



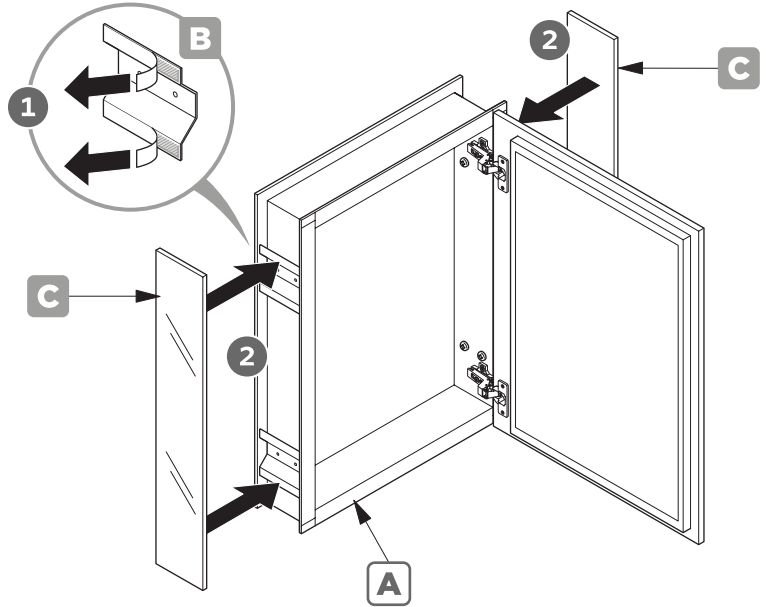
MEDICINE CABINET INSTALLATION

1 Attach the brackets (B) to the cabinet using a small screws (D).

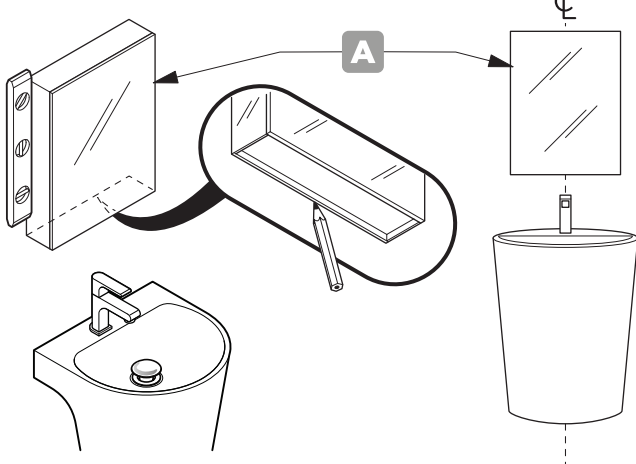
NOTE: Skip STEP 1 and STEP 2.1 if brackets (B) are already attached to the side mirrors (C).



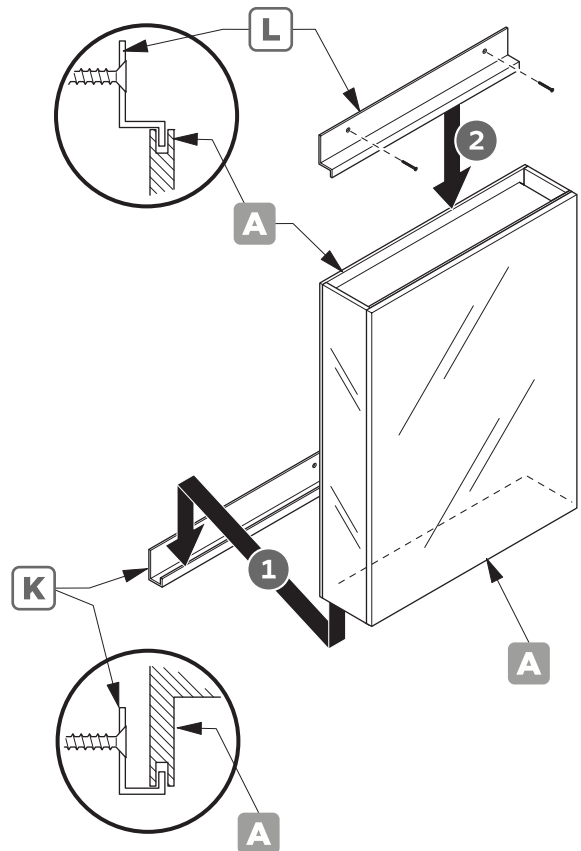
2 Peel the tape from the brackets, exposing a sticky surface, then connect side mirrors (C) to the brackets (B).



3 Place cabinet (A) to designated location, then mark it's location on the wall.

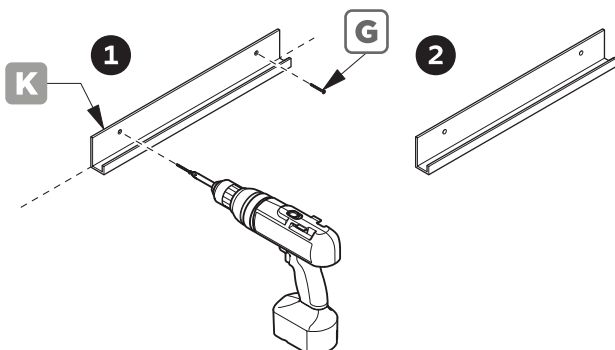


5 With assistance, rest the cabinet on the bottom mounting bracket (K) and secure it by attaching a top bracket (L) to the wall.



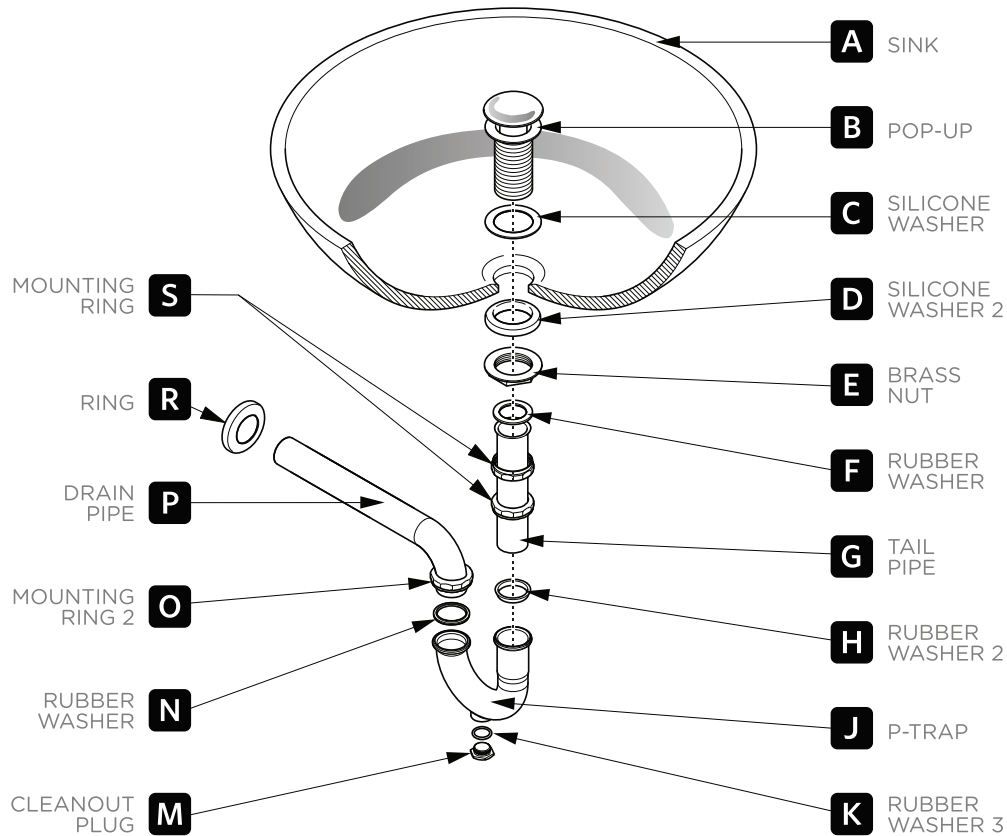
4 Attach bottom bracket (K) to the wall.

NOTE: Consult an expert for the proper screws/bolts to use when attaching to various constructions. Screws provided do not attach to all wall construction types.



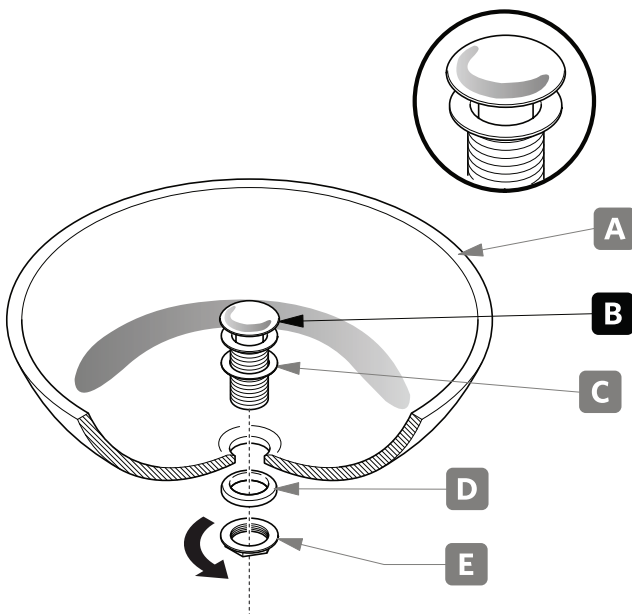
P-TRAP & POP-UP INSTALLATION INSTRUCTIONS

Your item may appear slightly different from the illustration.



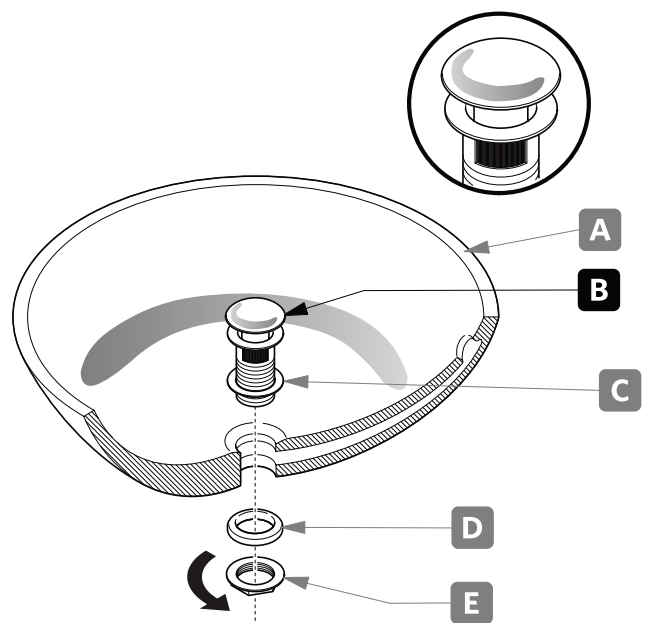
POP-UP INSTALLATION

**FOR SINKS
WITHOUT OVERFLOW**



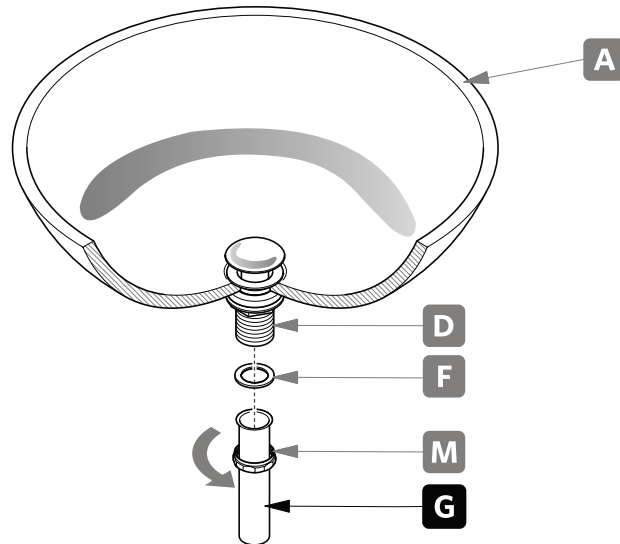
OR

**FOR SINKS
WITH OVERFLOW**



P-TRAP INSTALLATION

1 Install tail pipe (G).



2 Install P-trap (J).

