



SENZA

INSTALLATION GUIDE

FVN9430

CONTENTS:

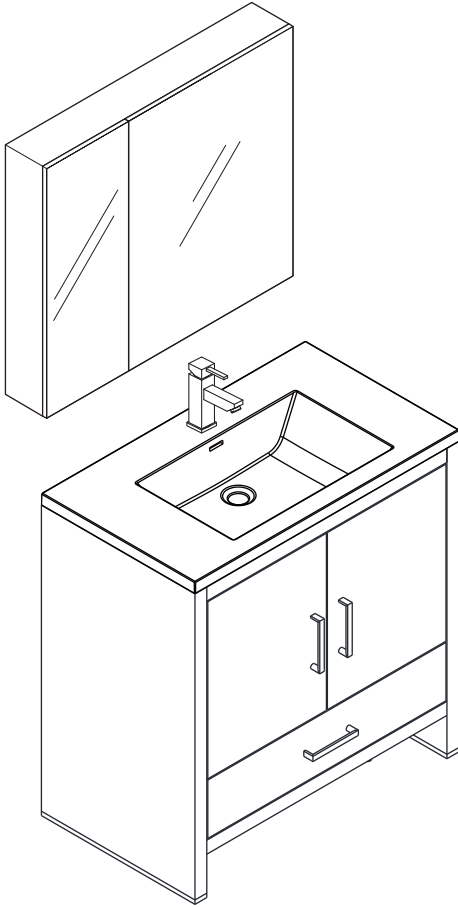
| | | |
|--------------|----------------|--------|
| Mirror..... | FMC8090..... | PAGE 3 |
| Cabinet..... | FCB9430..... | PAGE 5 |
| Sink..... | FVS9330WH..... | PAGE 5 |



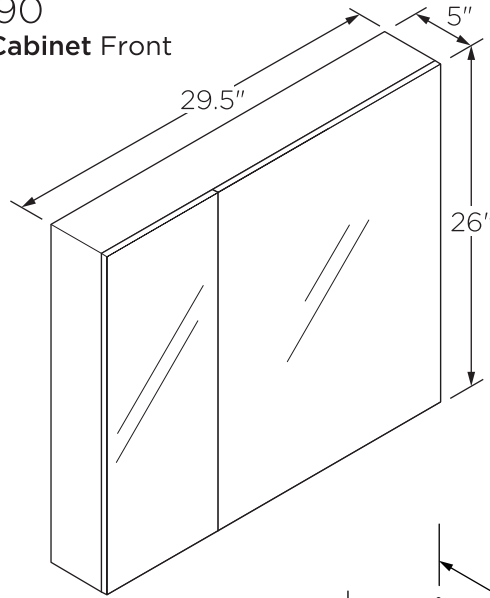
FVN9430 SENZA INSTALLATION GUIDE



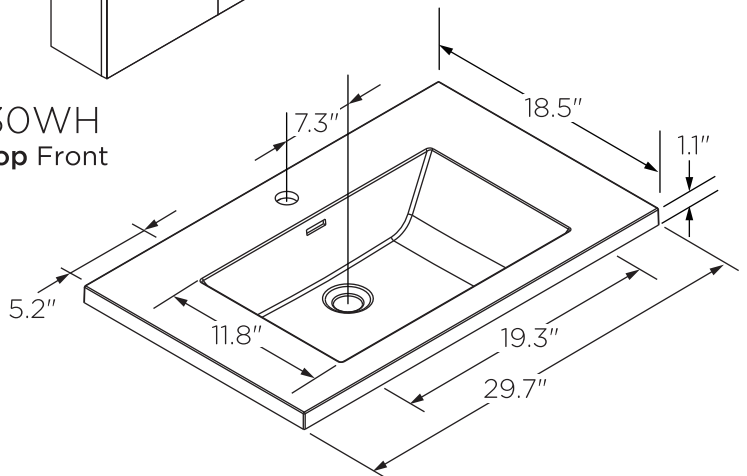
FVN9430
Vanity Front



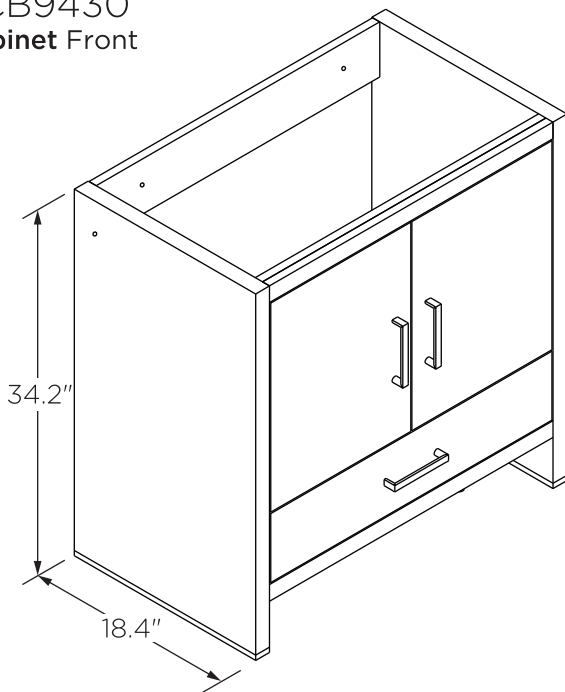
FMC8090
Medicine Cabinet Front



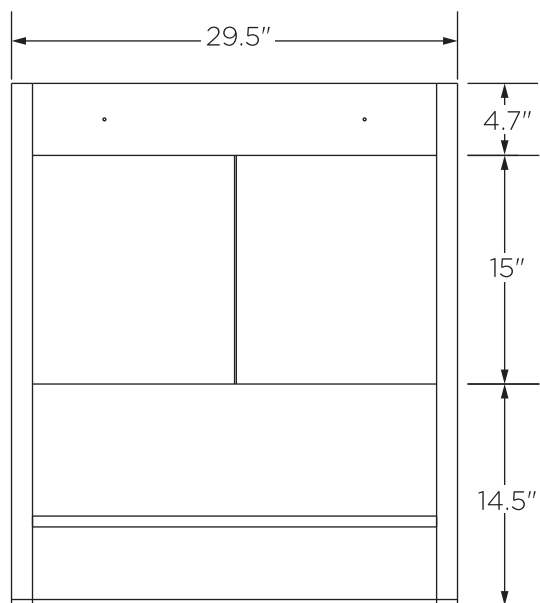
FVS9330WH
Counter Top Front



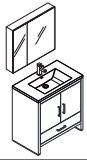
FCB9430
Cabinet Front



FCB9430
Cabinet Back



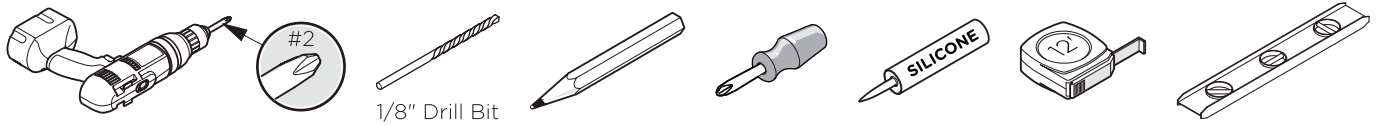
NOTE: All dimensions & specifications are approximate and subject to change without notice.



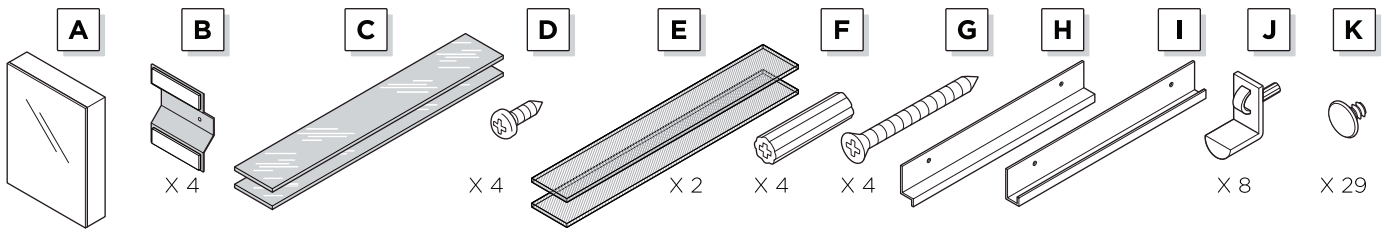
FVN9430 SENZA INSTALLATION GUIDE



TOOLS FOR ASSEMBLY



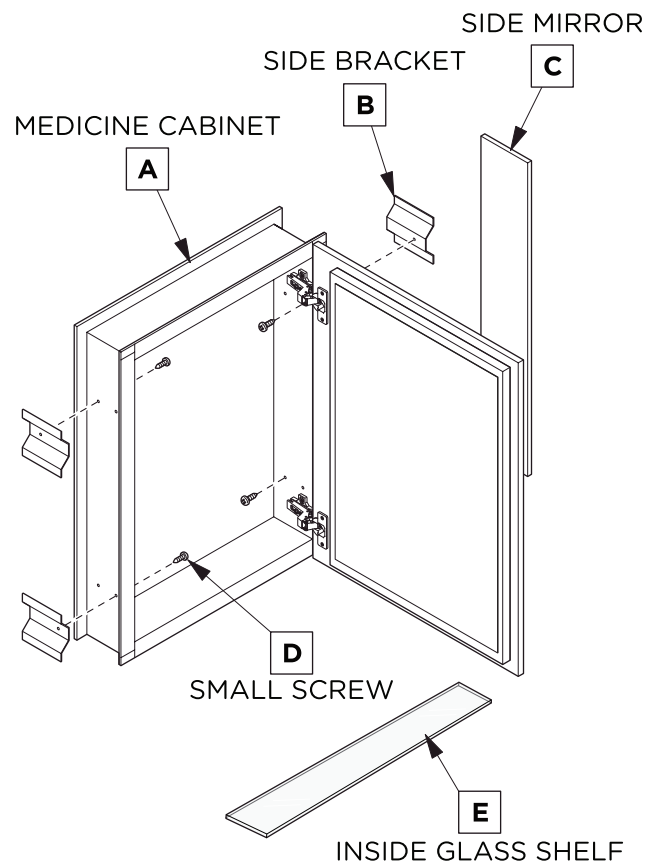
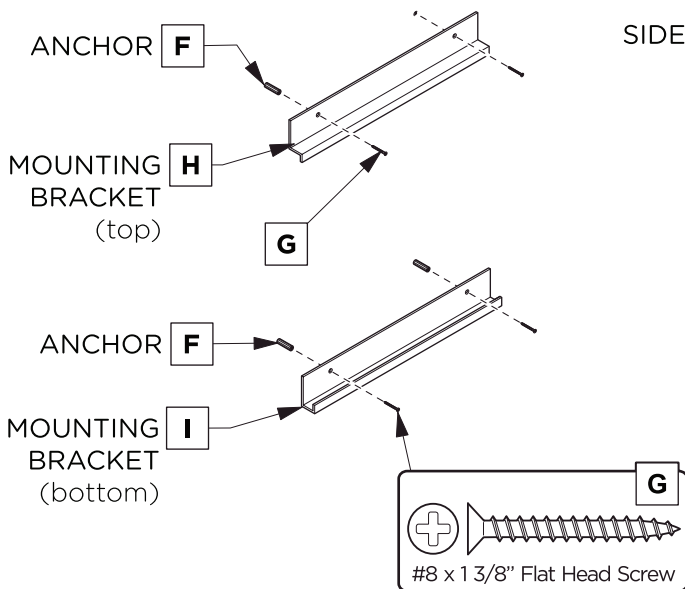
SUPPLIED PARTS



Your item may appear slightly different from the illustration

MEDICINE CABINET DIMENSIONS

| Model SKU | Width A | Height B | Depth |
|----------------|----------------|-----------------|-------|
| FMC8058 | 19.5" | 26" | 5" |
| FMC8090 | 29.5" | 26" | 5" |
| FMC8010 | 39.5" | 26" | 5" |



DANGER:

Risk of electronic shock. Avoid existing electrical wiring or plumbing when mounting this product to the wall.



WARNING:

Risk of property damage. Use anchors rated for the loaded weight of the product. Refer to the anchor manufacturer's instructions.

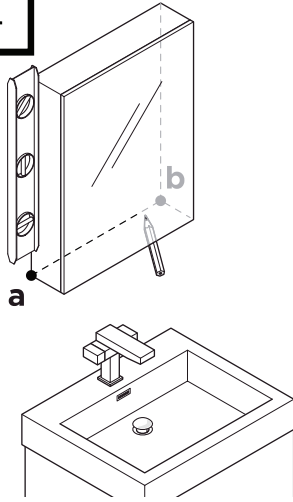


FVN9430 SENZA INSTALLATION GUIDE



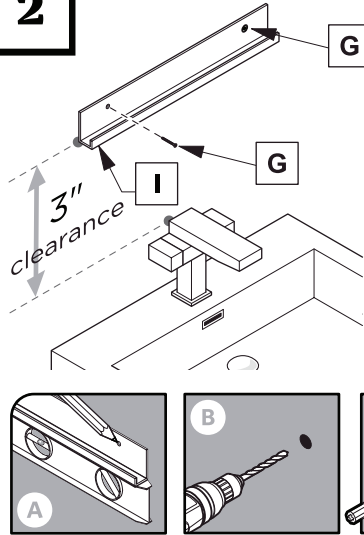
SURFACE-MOUNT INSTALLATION

1



Level and mark the medicine cabinet's location on the wall from point **a** to point **b**.

2



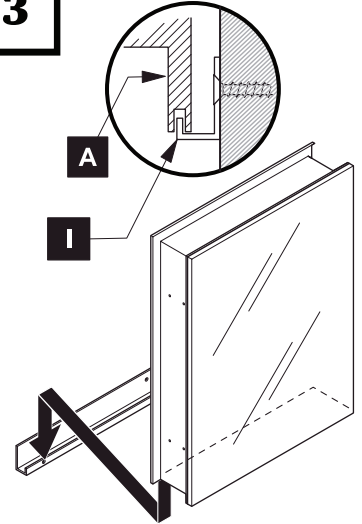
Level and mark.

Drill the holes in the wall with a 3/16" drill bit.

IMPORTANT: Consult an expert for the proper screws/bolts to use when attaching to various constructions. Screws provided **do not** attach to all wall construction types. Anchors are not required if brackets are installed in stud.

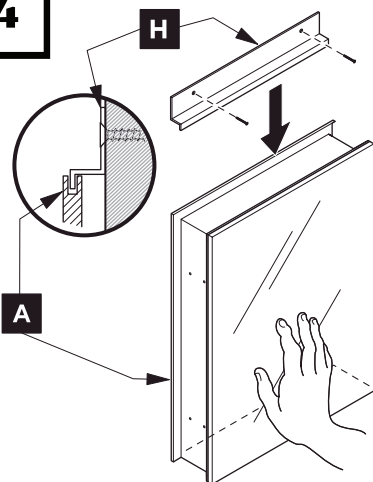
Insert the anchors in the holes.

3



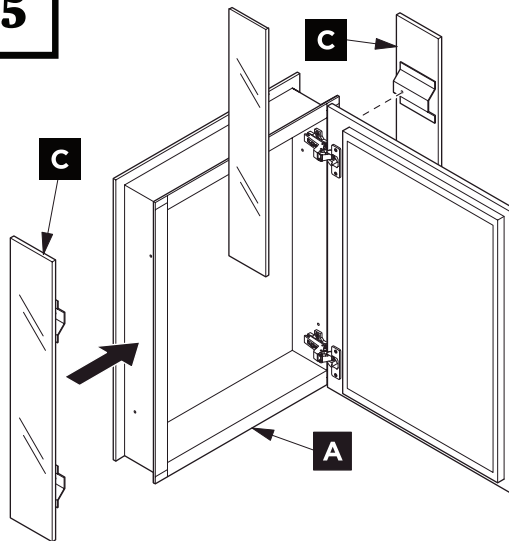
With assistance, rest the medicine cabinet on the bottom mounting bracket and hold it in place.

4



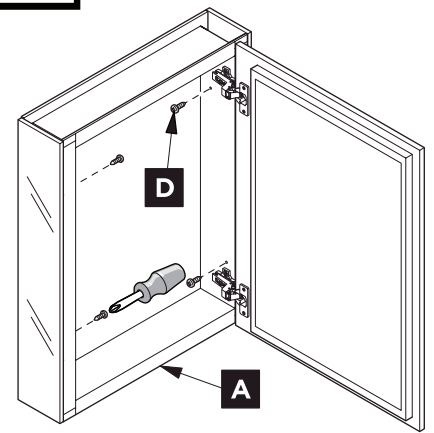
Hold the medicine cabinet (**A**) while it's placed on the bottom bracket, then secure by fitting the top bracket (**H**) on top of the medicine cabinet, and attach the top bracket (**H**) to the wall.

5



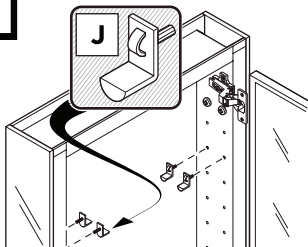
Align mirrored side panels (**C**) to each side of the medicine cabinet.

6



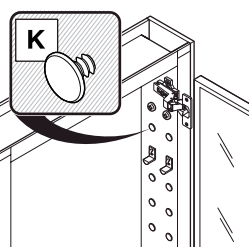
Attach mirrored side panels to the medicine cabinet using a screwdriver and provided screws (**D**).

7



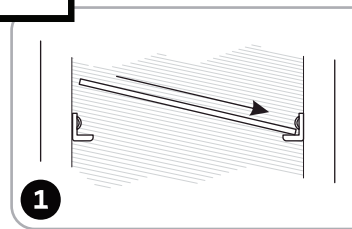
Push and twist the snap-in pins (**J**) into place.

8

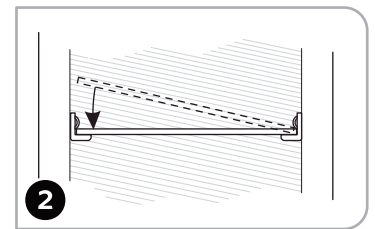


Fill remaining holes with the plugs (**K**).

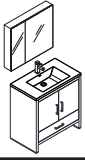
9



Push a side of the shelf (**E**) into left or right pins (**J**).



Snap the shelf (**E**) down into the opposite side.

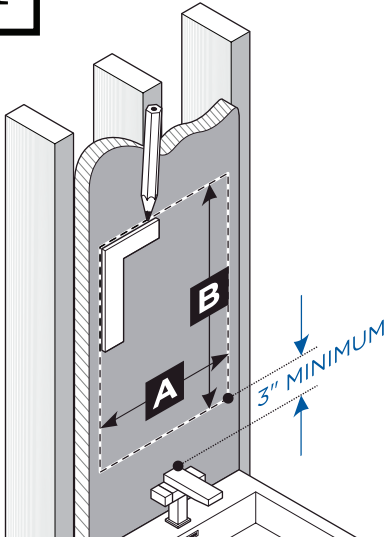


FVN9430 SENZA INSTALLATION GUIDE



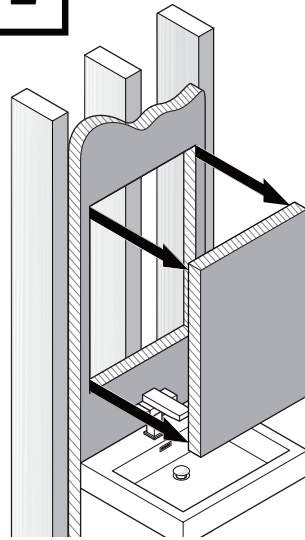
RECESS-MOUNT INSTALLATION

1



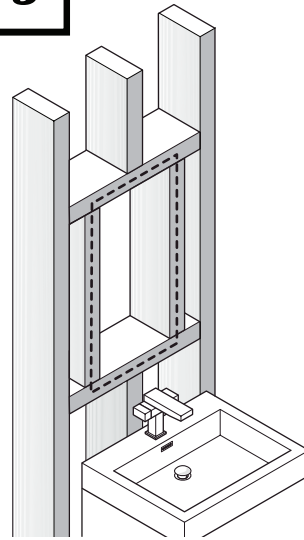
Draw the perimeter of the medicine cabinet on the wall.

2



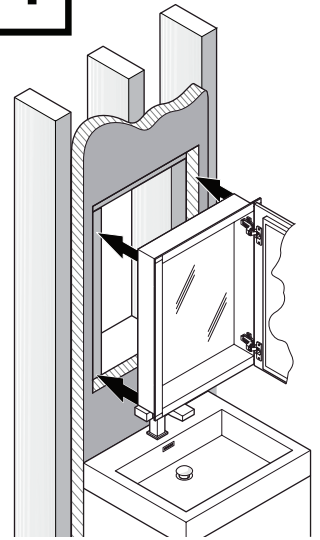
Place and hold the medicine cabinet in the cutout opening.

3



Frame the cutout opening.

4

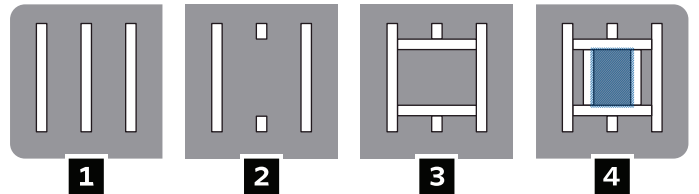


Cut the marked perimeter with appropriate tool.

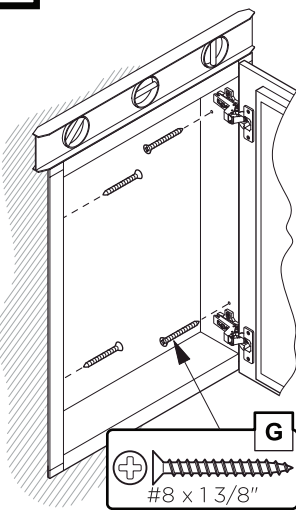
ROUGH IN DIMENSIONS

| Model SKU | Width A | Height B | Depth |
|----------------|----------------|-----------------|-------|
| FMC8058 | 19.5" | 26" | 5" |
| FMC8090 | 29.5" | 26" | 5" |
| FMC8010 | 39.5" | 26" | 5" |

4 STEPS TO FRAME THE CUTOUT OPENING

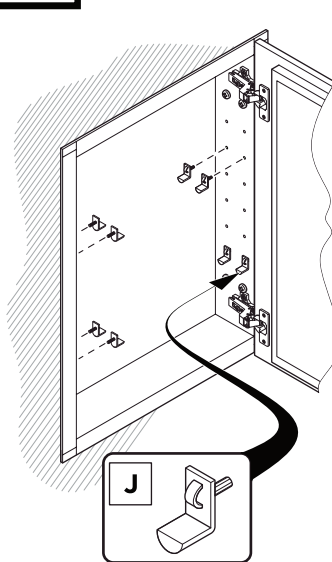


5



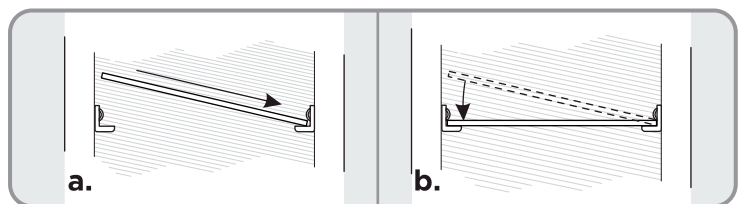
Level, then secure the medicine cabinet with the screws (**G**) through the mounting holes into the framing studs.

6



Choose the position for your shelves then push and twist the snap-in pins (**J**) into place.

7



a. Push a side of the glass shelf (**C**) into left or right pins (**J**).

b. Snap the glass shelf (**C**) into the opposite side.

c. Fill remaining holes with the plugs (**K**).

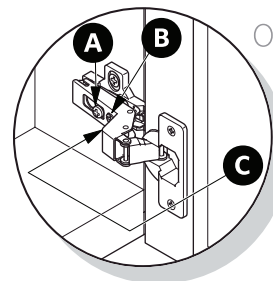


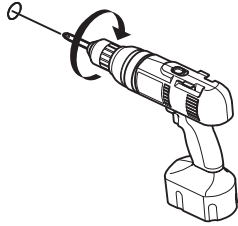
Illustration A.

OPTIONAL DOOR ADJUSTMENT:

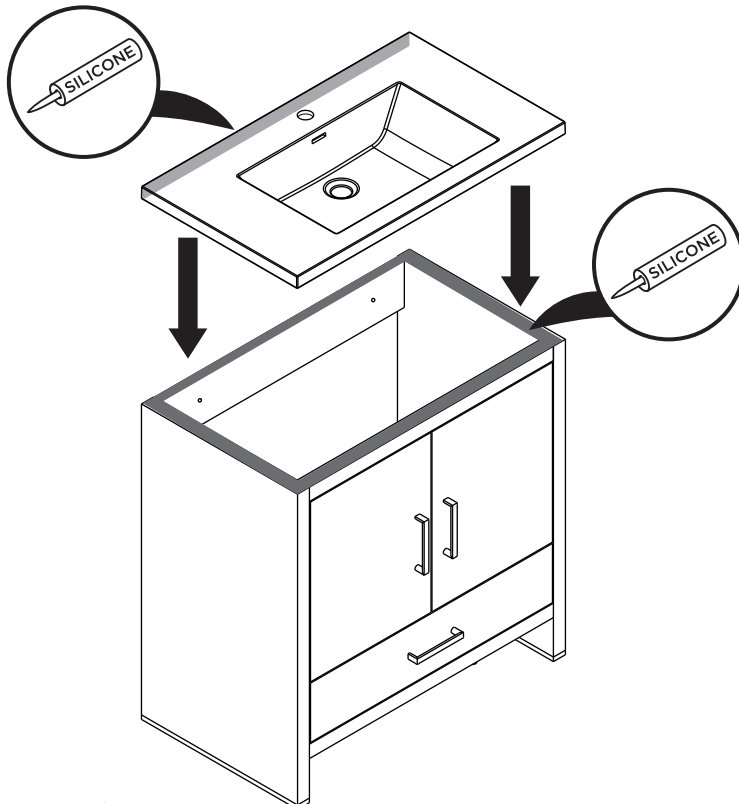
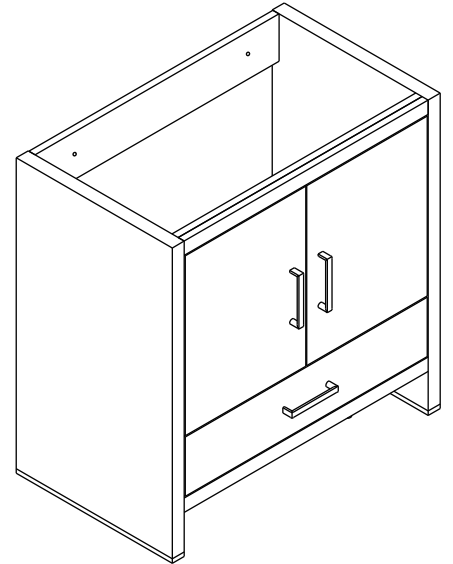
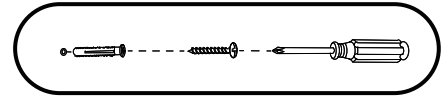
- A** This screw allow you to adjust pitch side to side.
- B** This screw releases cabinet's door and allows up and down adjustment.
- C** This screw allow you to adjust the gap between doors.

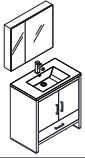


CABINET INSTALLATION



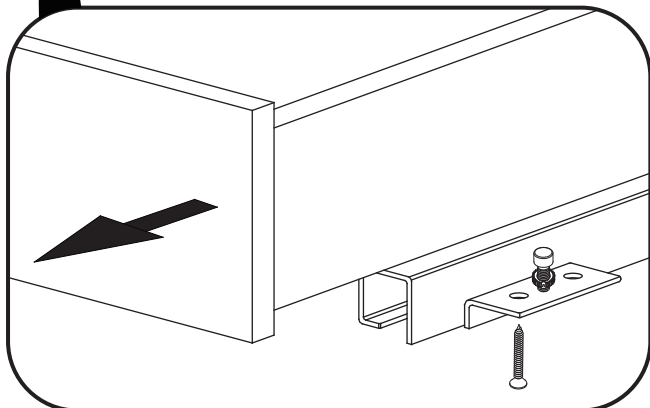
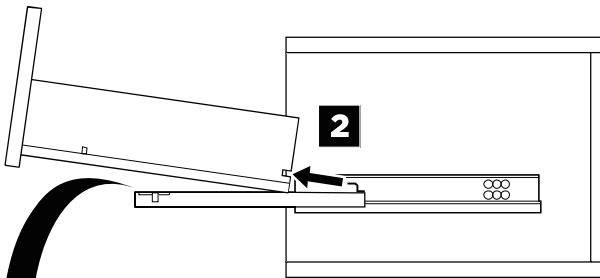
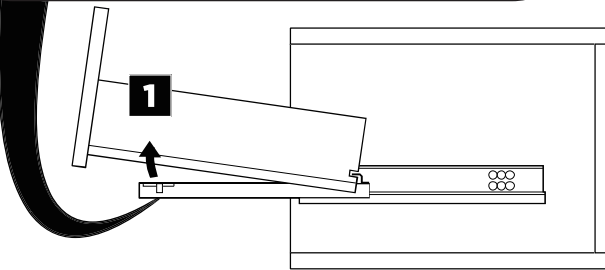
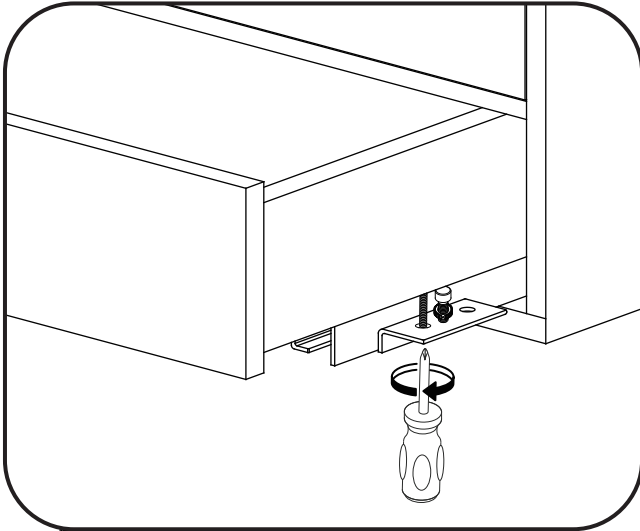
IMPORTANT: Consult an expert for the proper screws/bolts to use when attaching to various constructions. Screws provided do not attach to all wall construction types. Anchors are not required if brackets are installed in stud.



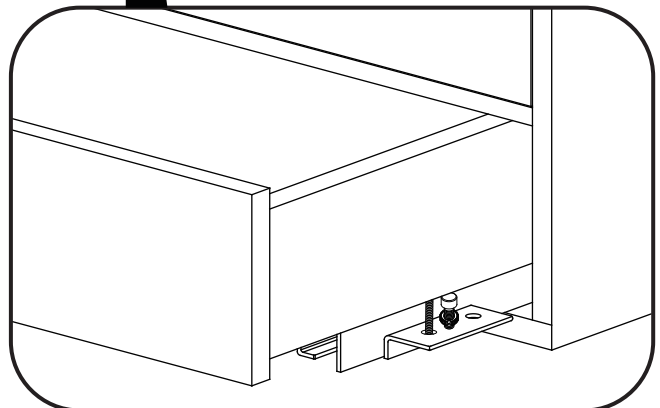
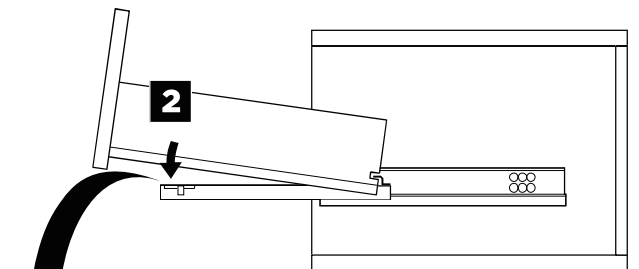
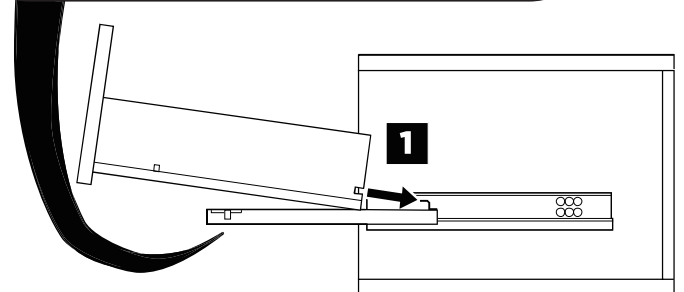
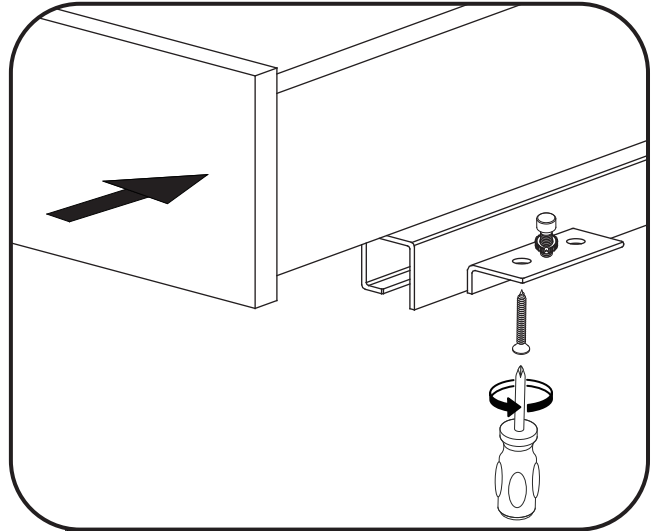


DRAWER REMOVAL & INSTALLATION

REMOVAL



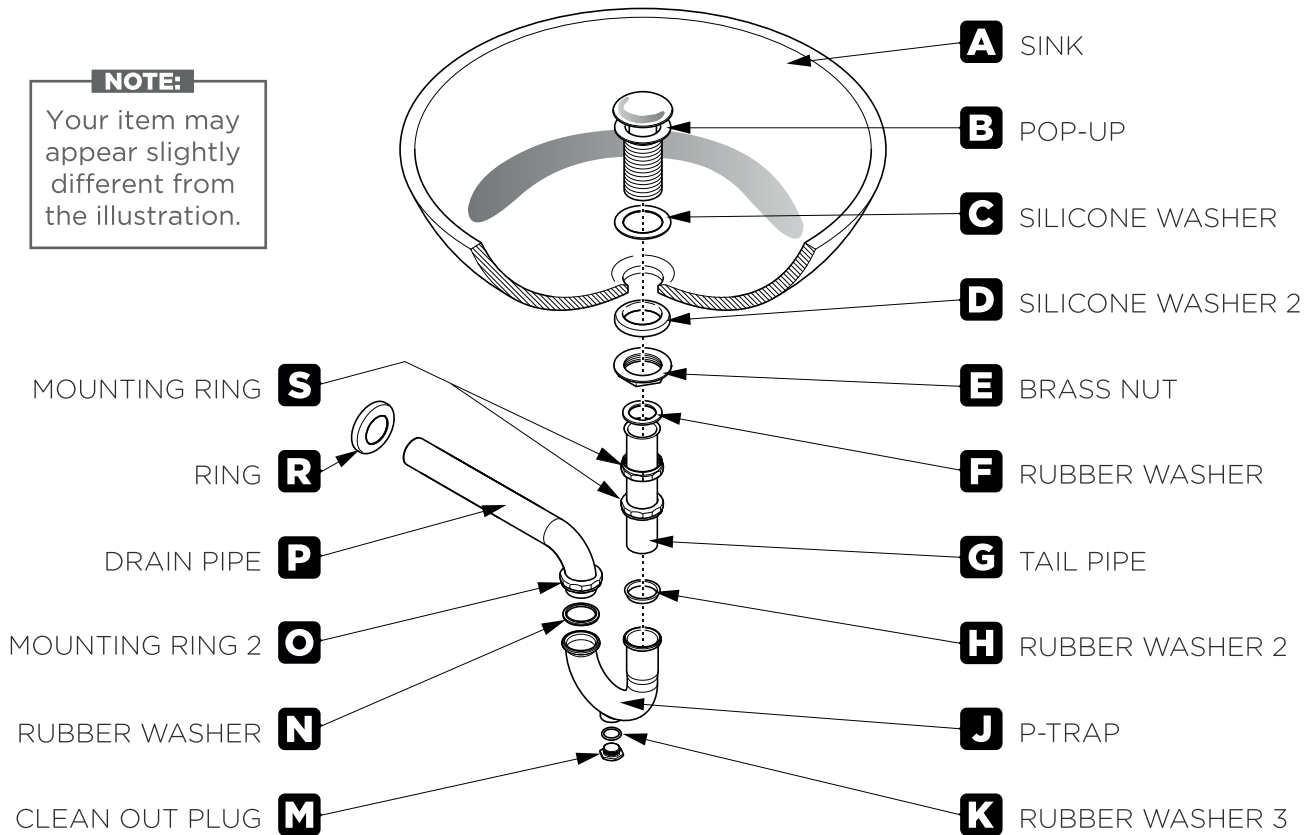
INSTALLATION





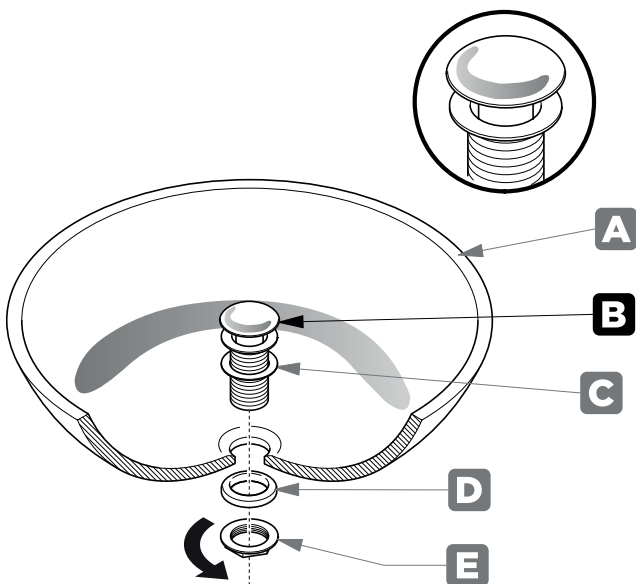
P-TRAP AND POP-UP INSTALLATION INSTRUCTIONS

NOTE:
Your item may appear slightly different from the illustration.



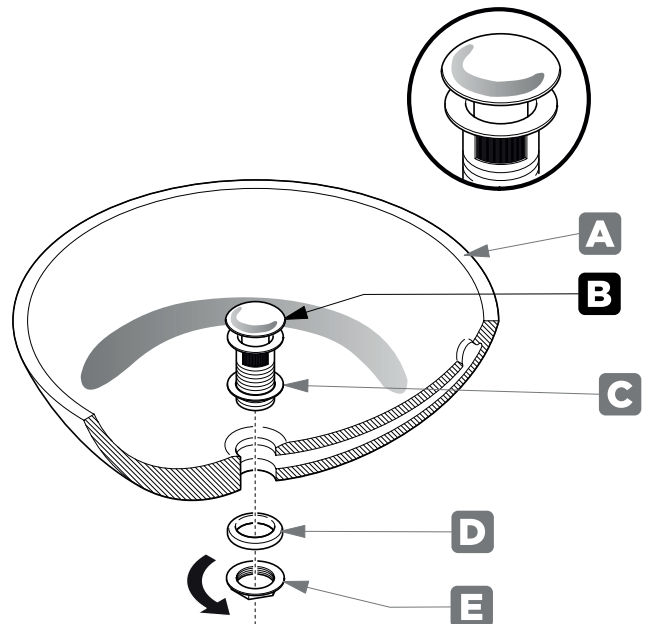
POP-UP INSTALLATION INSTRUCTIONS

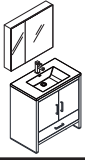
FOR SINKS
WITHOUT OVERFLOW



OR

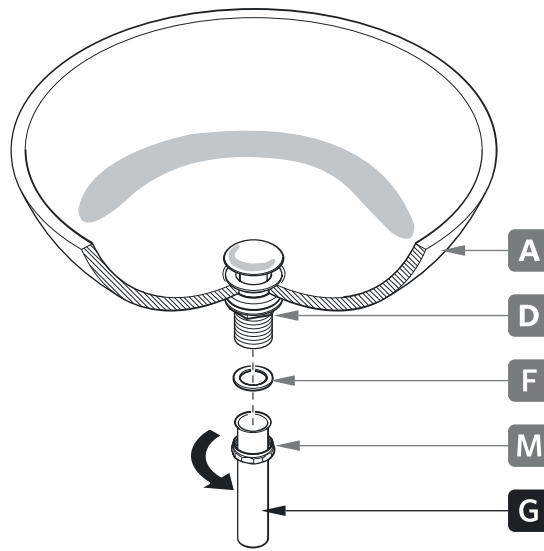
FOR SINKS
WITH OVERFLOW





P-TRAP INSTALLATION

1 Install tail pipe (G)



2 Install p-trap (J)

