



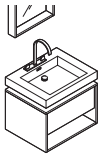
FVN8070

POTENZA

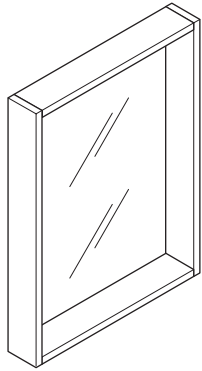
INSTALLATION GUIDE

CONTENTS:

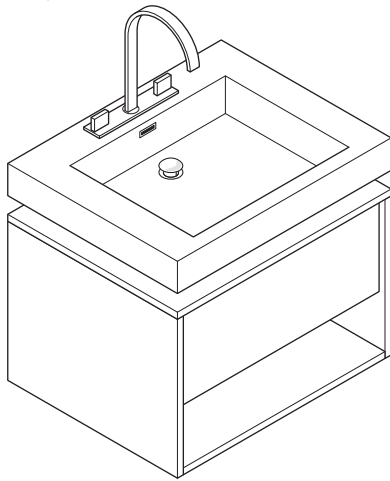
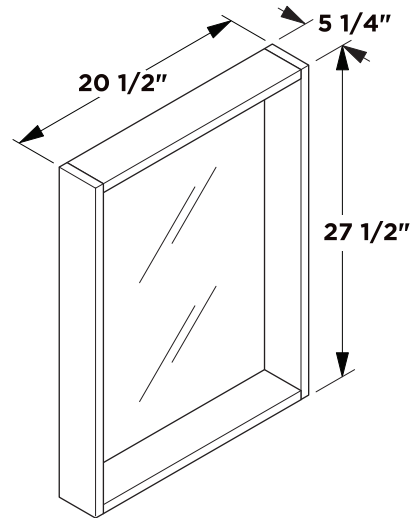
Cabinet.....	(FCB8070).....	PAGE 3
Sink.....	(FVS8070).....	PAGE 3
Mirror.....	(FMR8070).....	PAGE 3



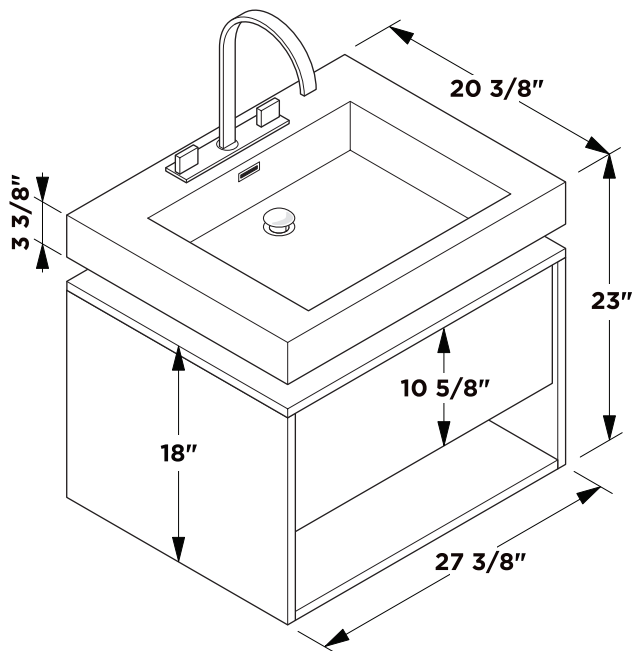
FVN8070 POTENZA INSTALLATION GUIDE



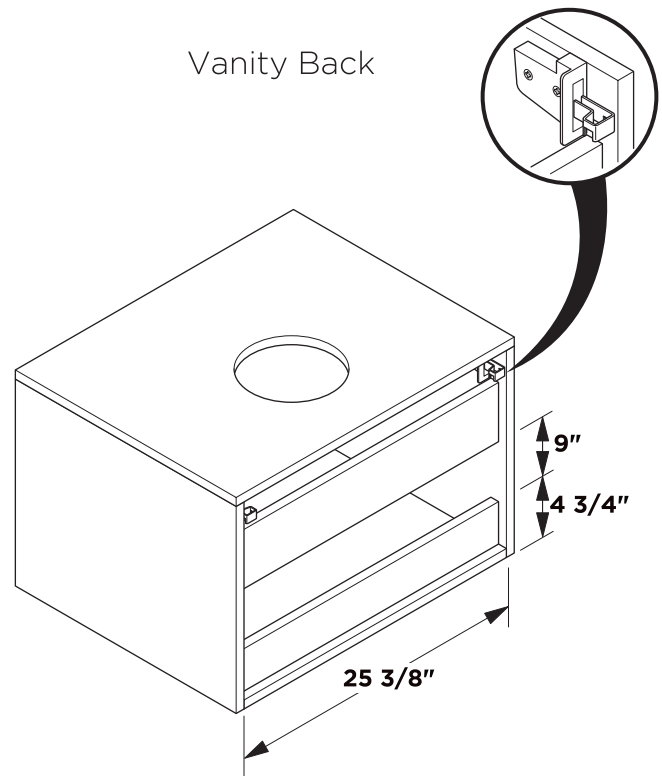
Mirror



Vanity Front

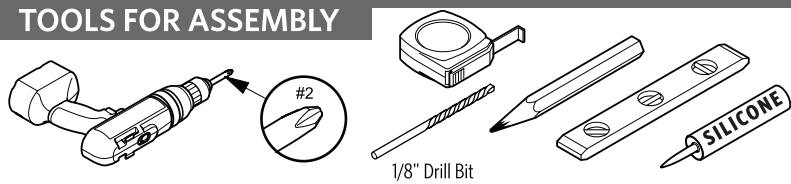


Vanity Back

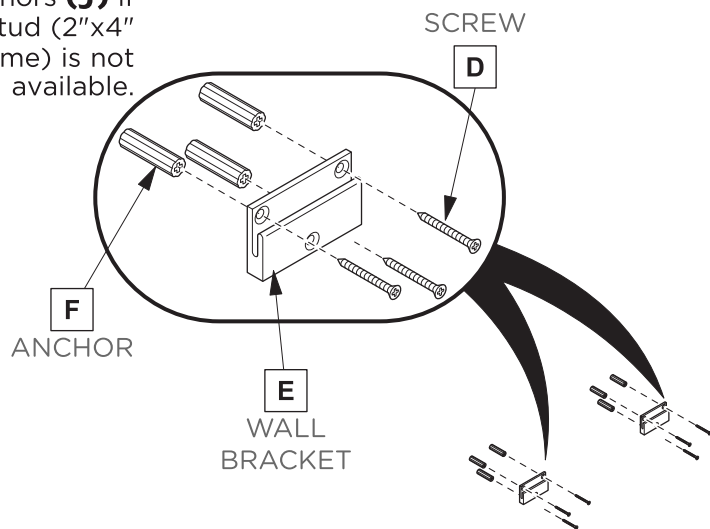


NOTE: ALL DIMENSIONS & SPECIFICATIONS ARE APPROXIMATE AND SUBJECT TO CHANGE WITHOUT NOTICE.

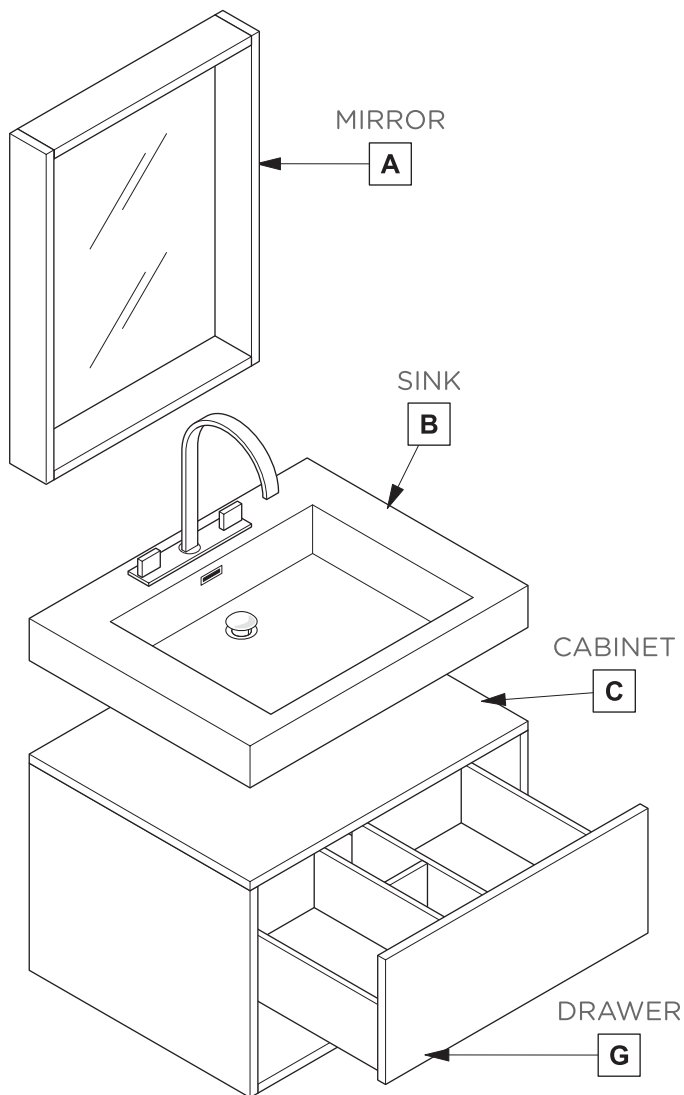
TOOLS FOR ASSEMBLY



***Note:** Only use anchors (J) if stud (2"x4" frame) is not available.

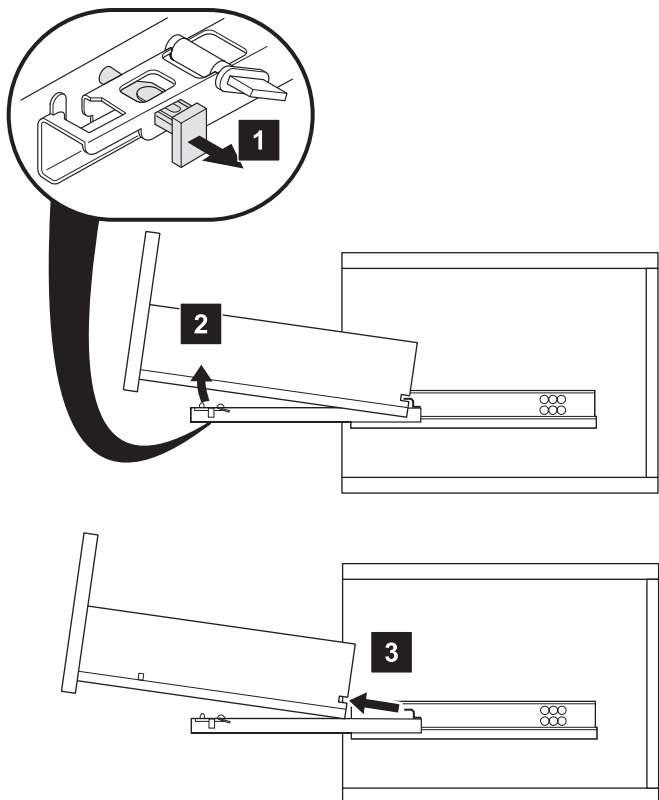


PARTS

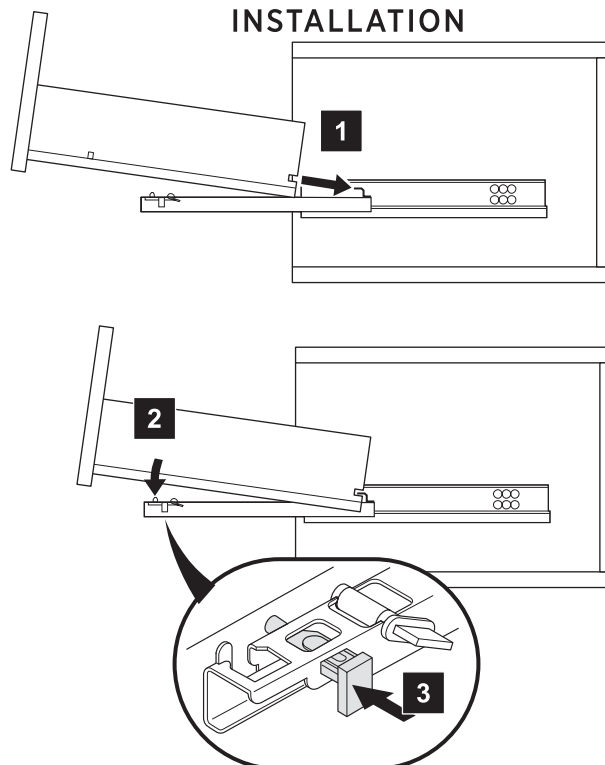


DRAWER REMOVAL & INSTALLATION

REMOVAL

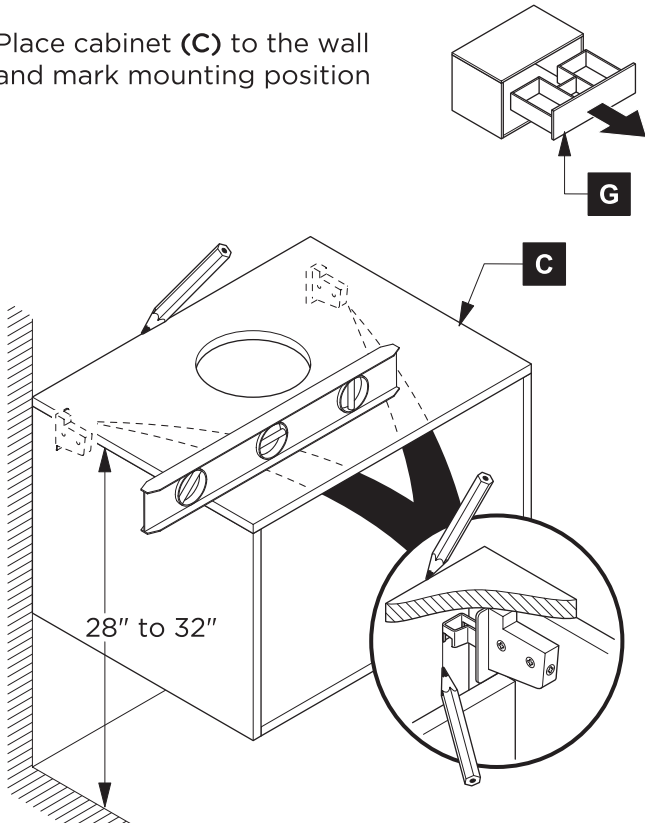


INSTALLATION



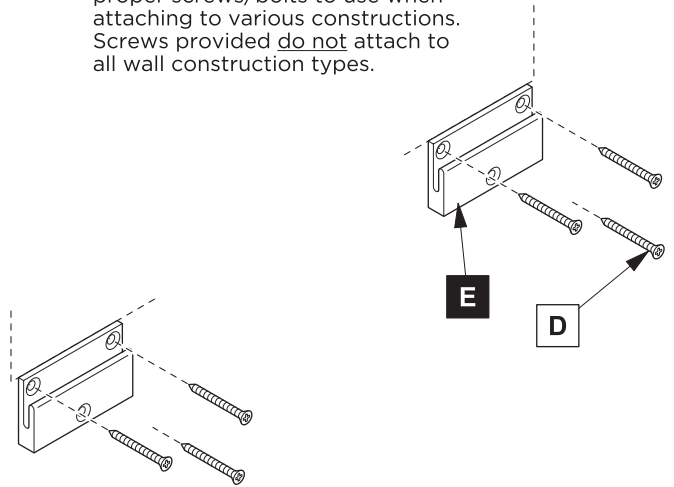
1 Remove drawer (G)

2 Place cabinet (C) to the wall and mark mounting position

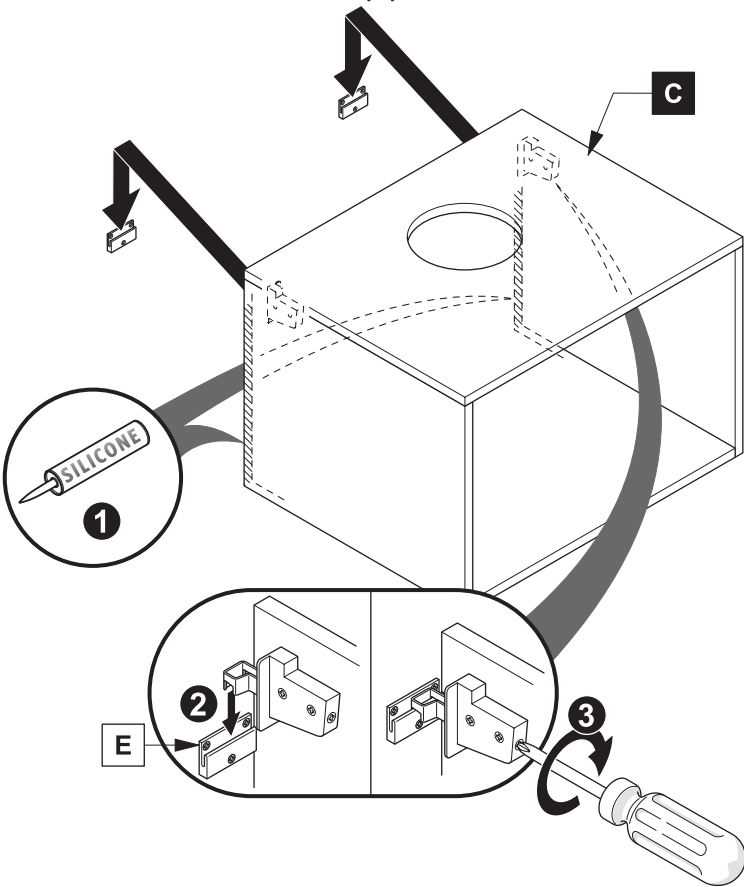


3 Attach wall brackets (E) to the wall

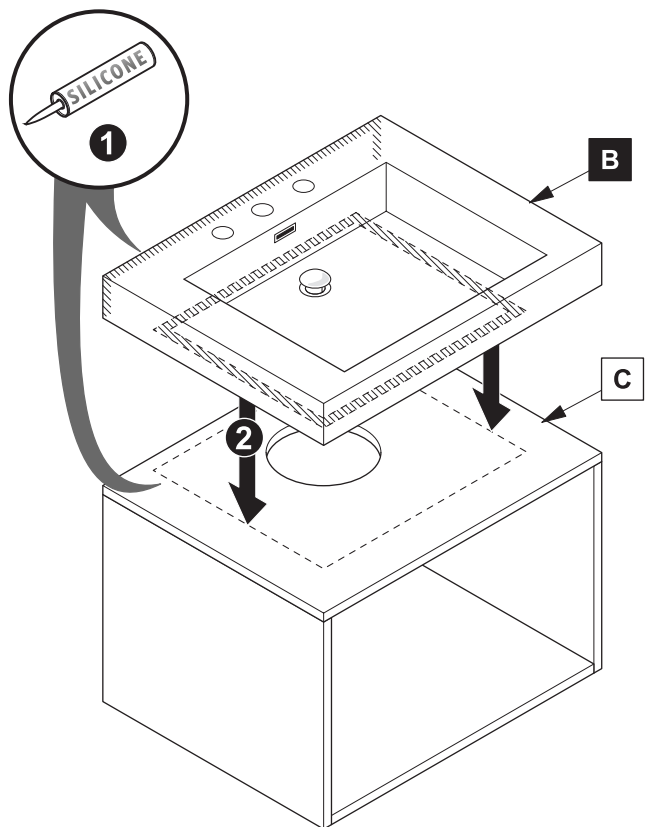
NOTE: Consult an expert for the proper screws/bolts to use when attaching to various constructions. Screws provided do not attach to all wall construction types.



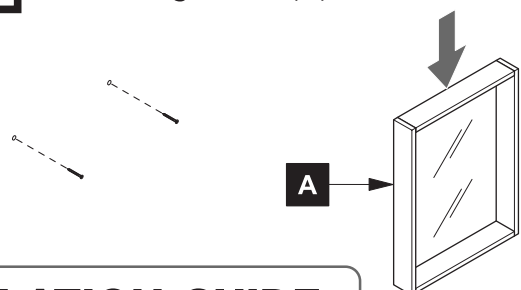
4 Apply silicone and place cabinet (C) on the wall brackets (E)



5 Apply silicone and place sink (B) on the cabinet (C)

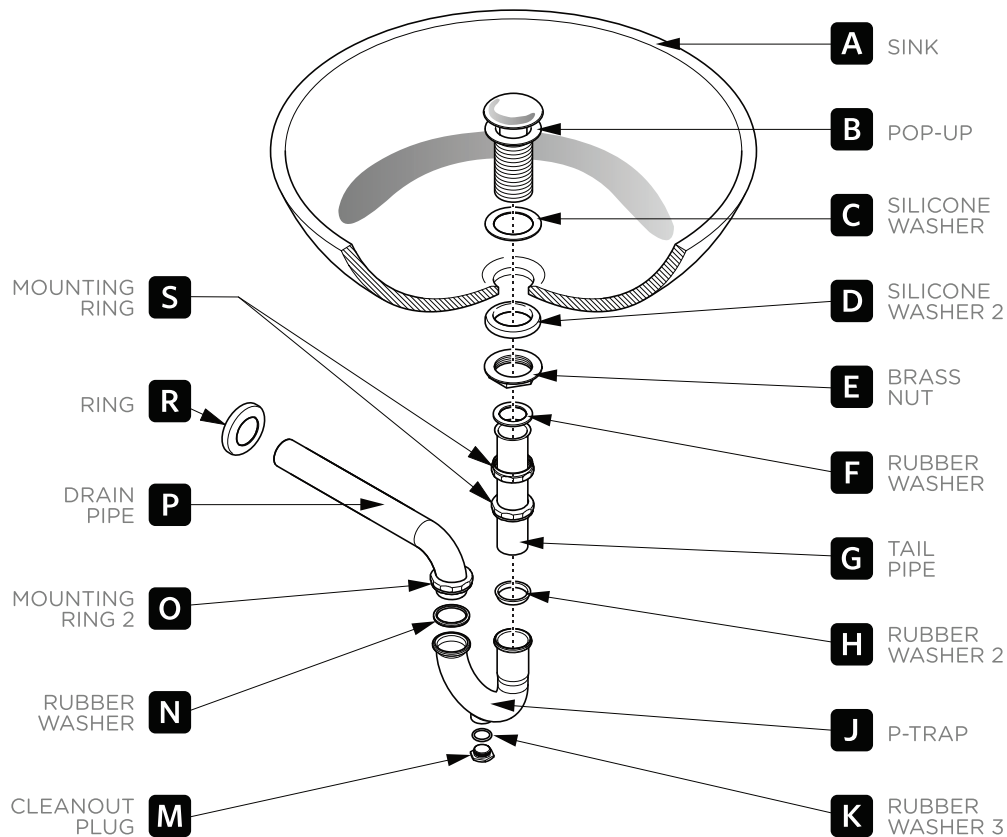


6 Insert screws in the wall with a drill and hang mirror (A) on them.



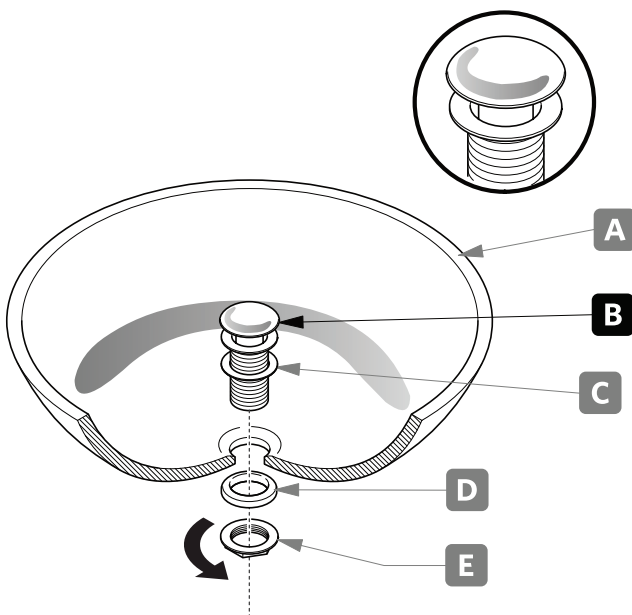
P-TRAP & POP-UP INSTALLATION INSTRUCTIONS

Your item may appear slightly different from the illustration.



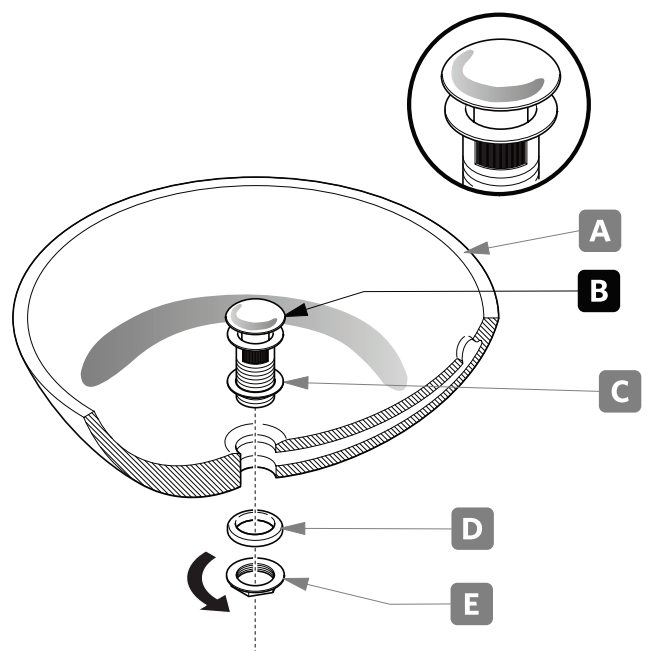
POP-UP INSTALLATION

**FOR SINKS
WITHOUT OVERFLOW**



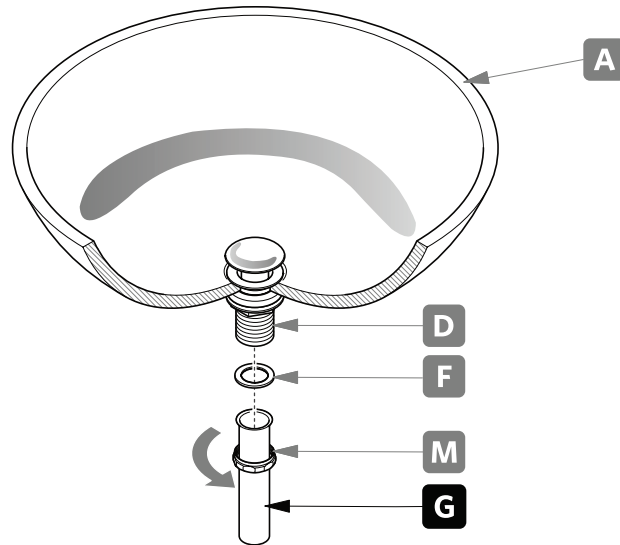
OR

**FOR SINKS
WITH OVERFLOW**



P-TRAP INSTALLATION

1. Install tail pipe **(G)**.



2. Install P-trap **(J)**.

