



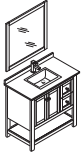
# MANCHESTER

## **FVN2340**

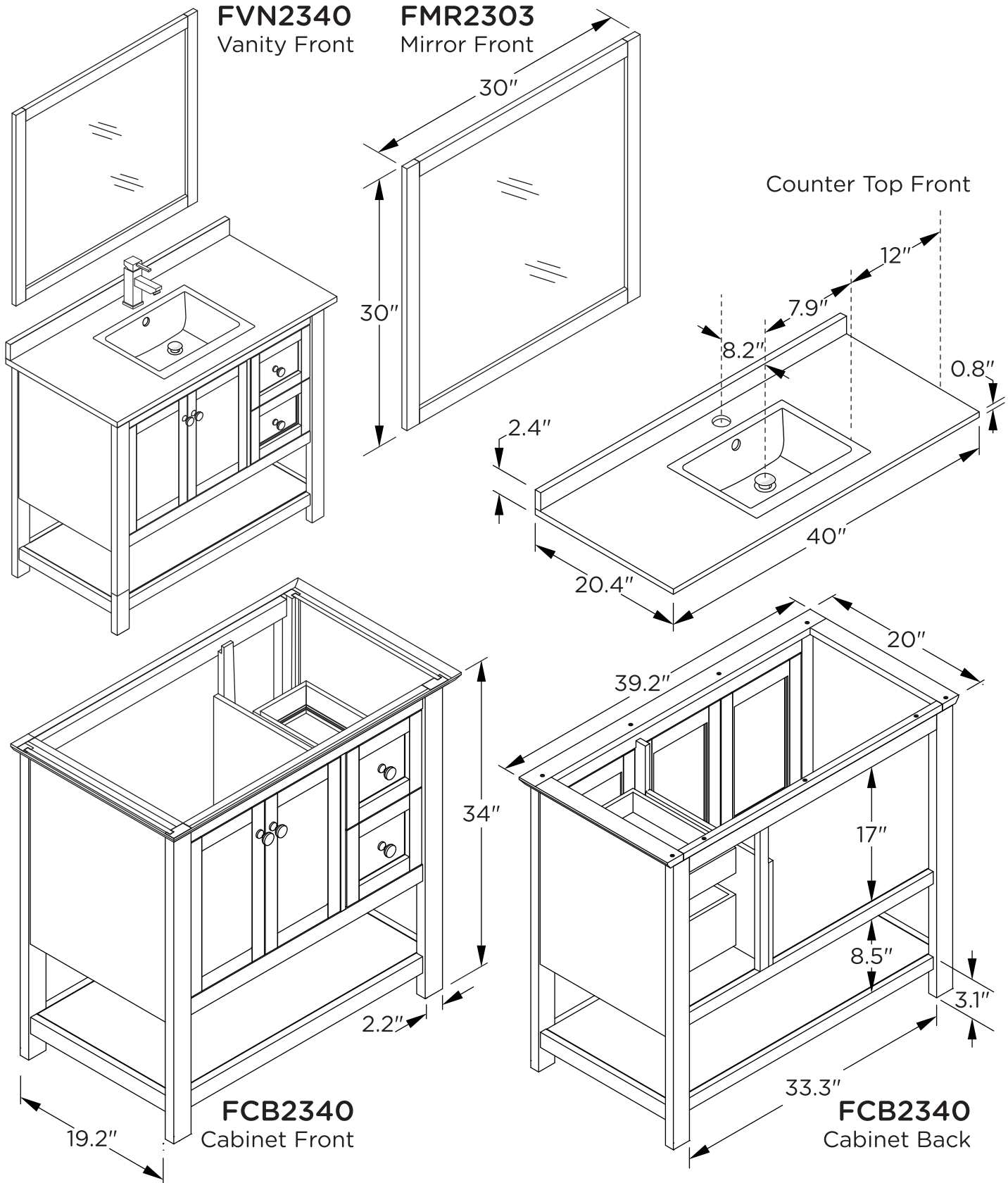
### **INSTALLATION GUIDE**

### CONTENTS:

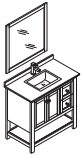
Mirror.....	PAGE 2
Cabinet.....	PAGE 3
Sink.....	PAGE 3



# FVN2340 MANCHESTER INSTALLATION GUIDE



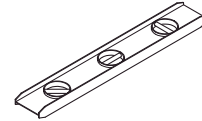
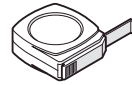
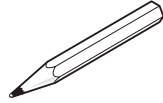
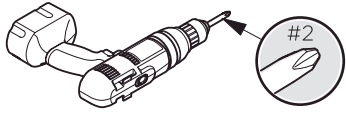
>All dimensions & specification are approximate and subject to change without notice.



# FVN2340 MANCHESTER INSTALLATION GUIDE

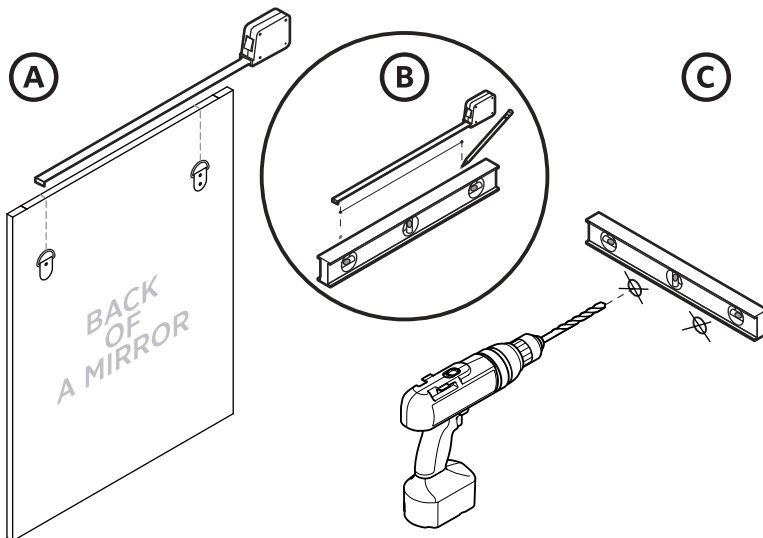


## TOOLS REQUIRED FOR ASSEMBLY

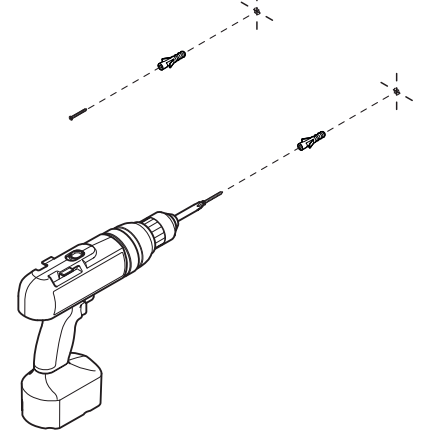


## MIRROR INSTALLATION

- 1** Measure distance between the brackets on the back of a mirror and mark it on the wall using a level. Once marked, drill the holes in the wall.

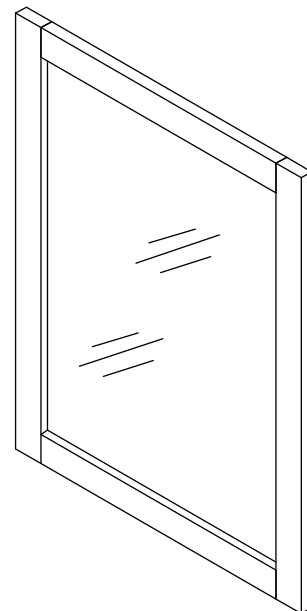
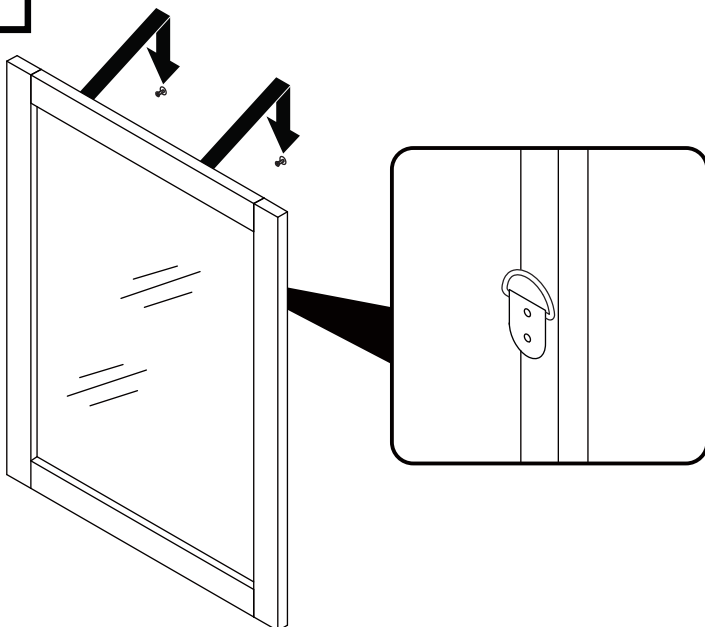


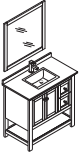
- 2** Press the anchors in the holes then insert screws with a drill or a screwdriver leaving just a tip outside of a wall.



**IMPORTANT:** Consult an expert for the proper screws/bolts to use when attaching to various constructions. Screws provided do not attach to all wall construction types. Anchors are not required if brackets are installed in stud.

- 3** Hang a mirror on the wall.



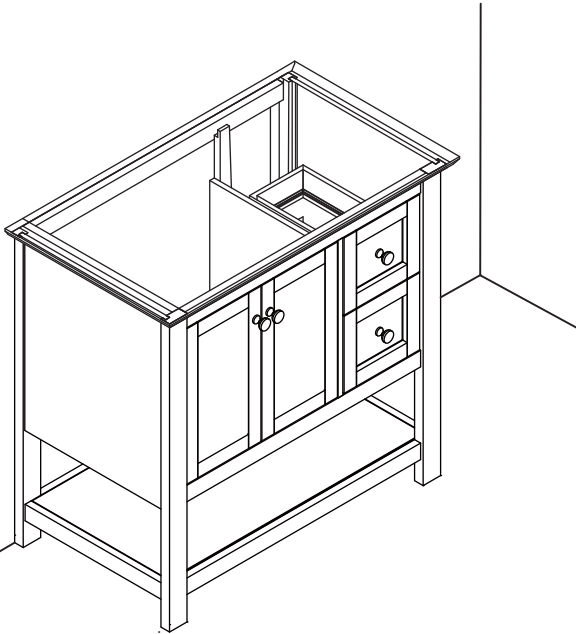


# FVN2340 MANCHESTER INSTALLATION GUIDE

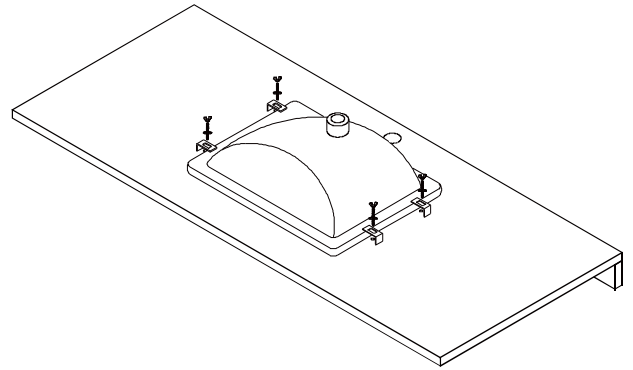


## CABINET AND SINK INSTALLATION

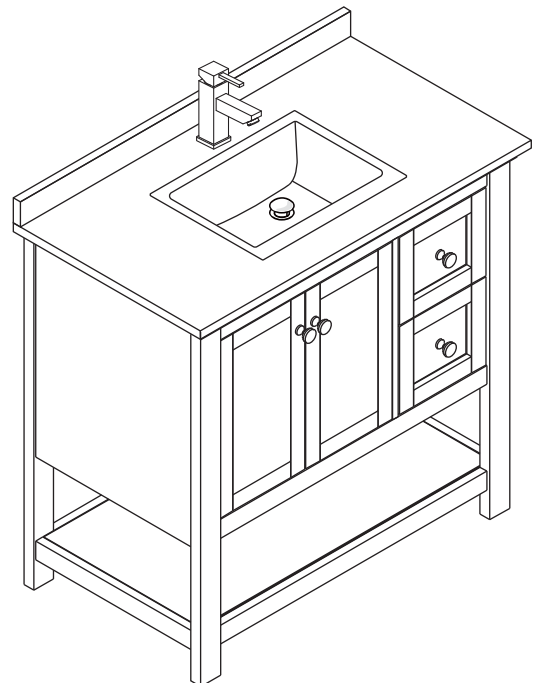
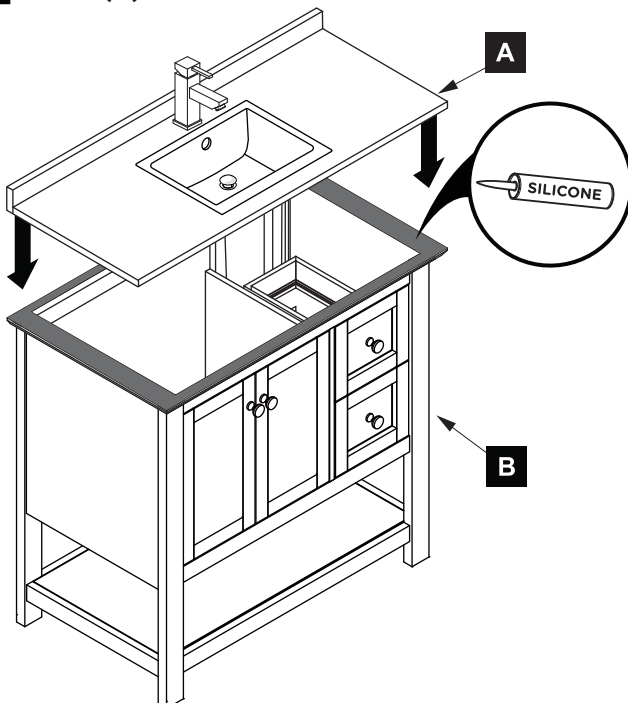
**1** Attach a cabinet to the wall with a screws.

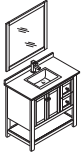


**2** Attach a sink to the counter top with provided screws and brackets.



**3** Connect a faucet to counter top. Apply a bead of silicone on the top of a cabinet (**B**) and place a sink (**A**) on it.



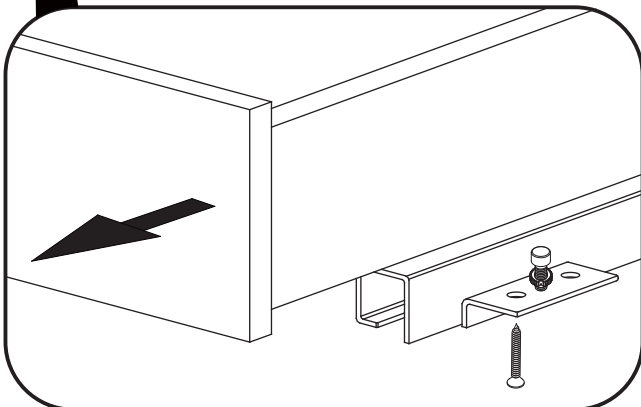
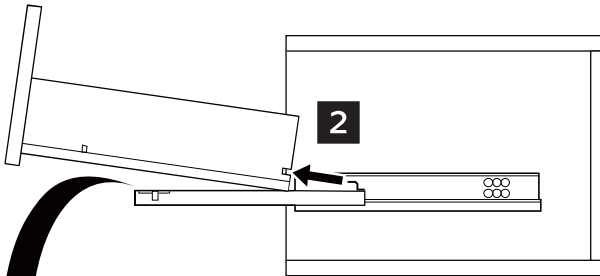
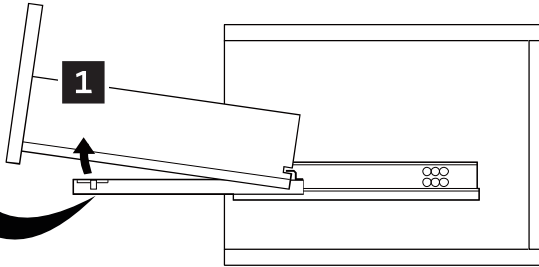
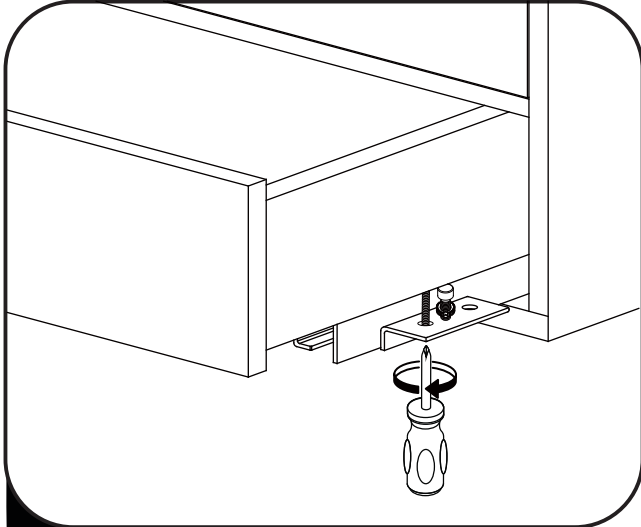


# FVN2340 MANCHESTER INSTALLATION GUIDE

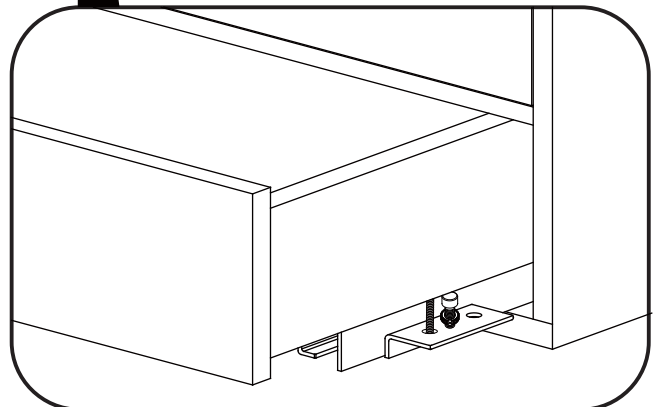
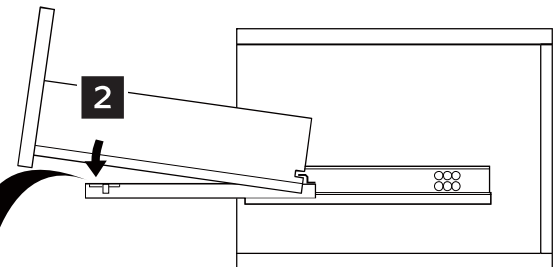
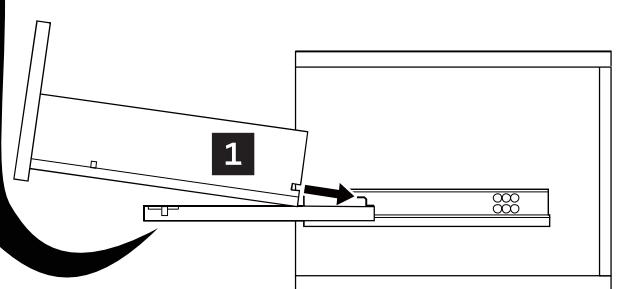
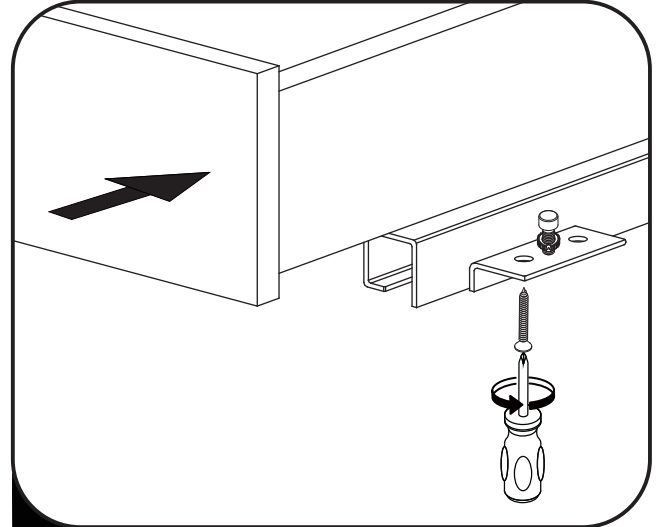


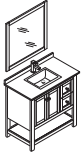
## DRAWER REMOVAL & INSTALLATION

### DRAWER REMOVAL



### DRAWER INSTALLATION



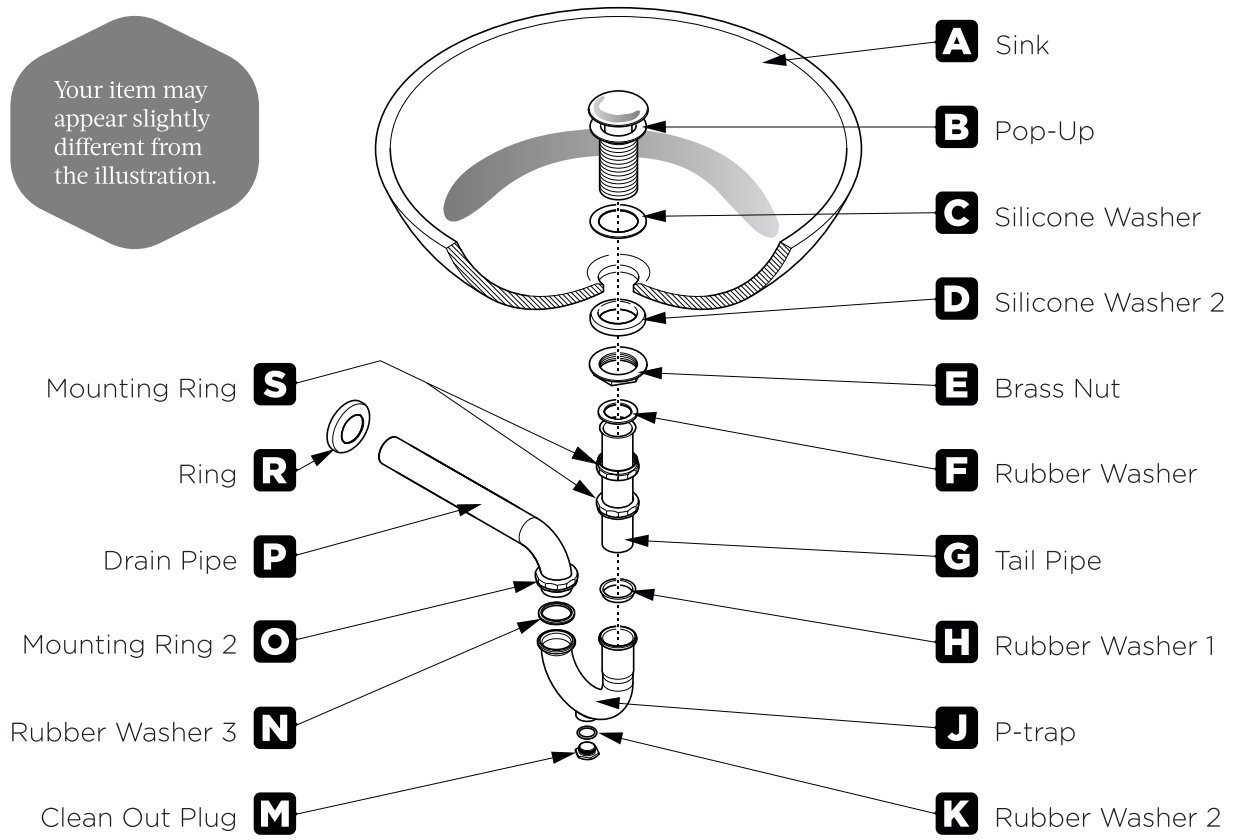


# FVN2340 MANCHESTER INSTALLATION GUIDE



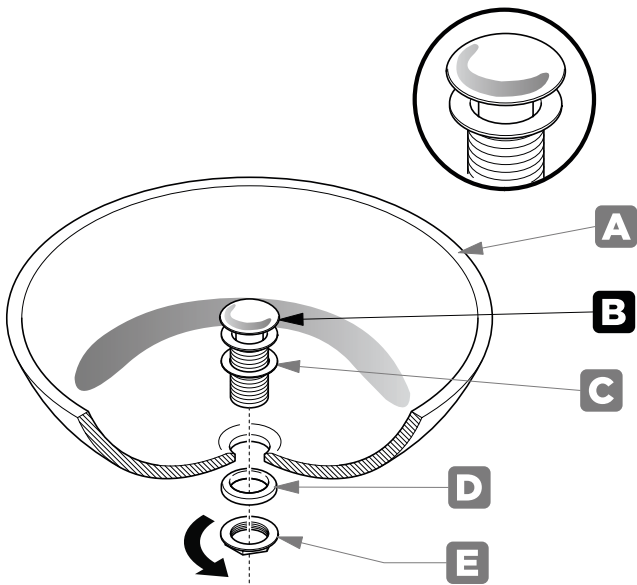
## P-TRAP & POP UP INSTALLATION

Your item may appear slightly different from the illustration.



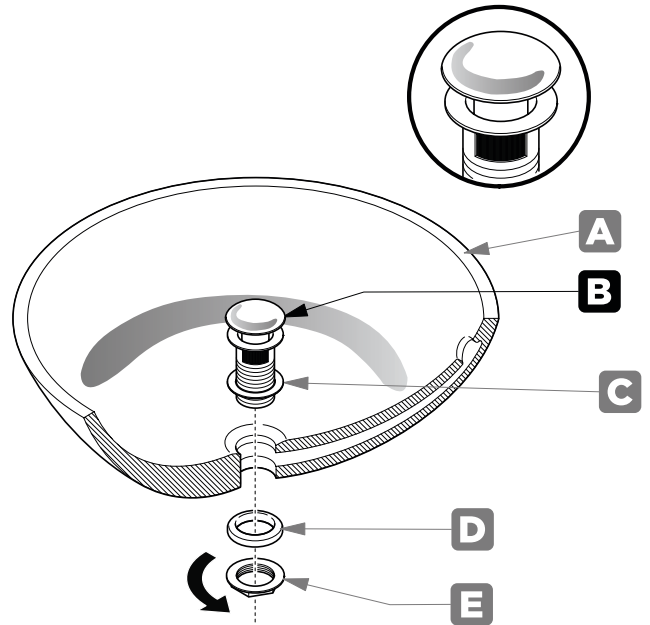
## POP UP INSTALLATION

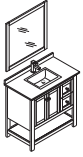
**FOR SINKS  
WITHOUT OVERFLOW**



OR

**FOR SINKS  
WITH OVERFLOW**



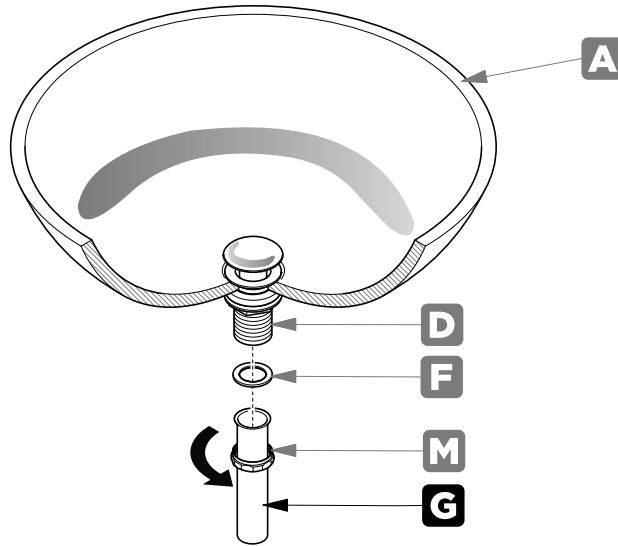


# FVN2340 MANCHESTER INSTALLATION GUIDE



## P-TRAP INSTALLATION

**1** Install a tail pipe (G).



**2** Connect a P-trap (J).

