

# Built-under Double DishDrawer™ Dishwasher, Tall, Sanitize

Series 9 | Contemporary

Stainless Steel



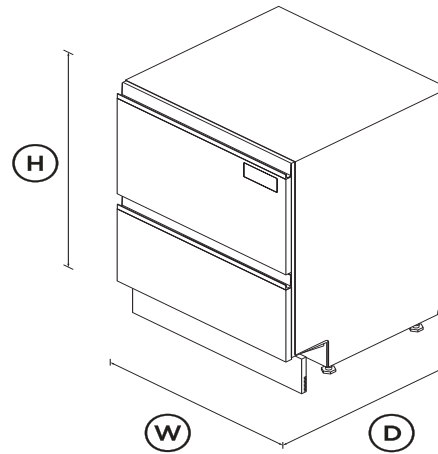
Wash one drawer while you load the other, with room in each drawer for full-size dinner plates.

- Designed to be installed under your benchtop, with recessed handles for a seamless look
- Six wash programs, as well as additional Quick wash, Sanitize and Extra Dry modifiers
- Flexible racking allows you to customize internal shelves to suit your needs

- Wi-Fi enabled and works with the SmartHQ™ app for remote control and notifications

## DIMENSIONS

Height	34 - 36 3/8"
Width	23 9/16"
Depth	22 9/16"



## FEATURES & BENEFITS

### SEAMLESS FIT

Our built-under DishDrawer™ Dishwashers are installed flush under your benchtop with the option of a custom kickstrip, ensuring minimal gaps. The touch-sensitive control panel is located inside this model, leaving an uninterrupted exterior. Designed to match the Fisher & Paykel family of kitchen

appliances with recessed handles for a streamlined look.

### EASE OF USE

DishDrawer™ Dishwashers are as easy to open and close as kitchen drawers and can be conveniently positioned at bench height for ease of loading and minimal bending. Flexible racking allows you to make adjustments to fit in a variety of dishes.

### QUICK, SANITIZE AND EXTRA DRY OPTIONS

The Quick wash modifier delivers a faster wash while maintaining performance. The Sanitize option provides extra protection, killing 99.9% of bacteria\* in the final rinse. The Extra Dry setting is perfect for plastic dishes.

### TRUE HALF LOAD

Each drawer holds a true half load for small, fast washing that won't waste water. Both drawers operate independently so two wash cycles can operate simultaneously to allow for varying loads.

### KNOCK TO PAUSE

For ease-of-use, these DishDrawer™ Dishwashers have a knock to pause function. A knock on the front panel will pause the dishwasher, which can be restarted by using the start button.

### INDEPENDENT WASH

With the ability to use both drawers independently and select different wash programs, the DishDrawer™ Dishwasher can wash everything from fine glass and crystal to heavily soiled pots and pans.

### QUIET PERFORMER

Running at a very low decibel rating, these DishDrawer™ Dishwashers do their job without making a fuss. The combination of intelligent technology and simple mechanics means greater reliability and excellent wash performance.

## SPECIFICATIONS

### Accessories

- Cutlery basket

Knife clip and multipurpose •

**Capacity and loading**

Accommodates round plates **12.25" (top) 11" (bottom)**  
 Adjustable height, foldable •  
 Fold down tines •  
 Pitch adjustable tines •  
 Place settings **14**  
 Place settings per drawer **7**

**Consumption**

Energy usage **263kWh/year**  
 Water usage (per wash cycle) **3.28 gal running both tubs**

**Controls**

Child lock •  
 Energy saving delay start •  
 Energy saving delay start •  
 Knock to pause •  
 Rinse aid indicator light •  
 Wi-Fi connectivity •

**Features**

Fan assisted drying •  
 Flood protection •  
 Flow through detergent •  
 Motor type **BLDC**  
 Quiet operation •  
 SmartDrive™ technology •

**Performance**

Noise on standard cycle top **44dBA**

**Power requirements**

Amperage **9.6A**  
 Supply frequency **60Hz**  
 Supply voltage **110V**

**Product dimensions**

Depth **22 9/16"**  
 Height **34 - 36 3/8"**  
 Width **23 9/16"**

**Warranty**

Parts and labor **Limited 2 years**

**Wash Program Modifiers**

Extra Dry •  
 Quick •  
 Sanitize •  
 Wash modifiers **3**

**Wash Programs**

Delicate •  
 Eco •  
 Fast •  
 Heavy •  
 Medium •  
 Rinse •

Wash programs **15**

**Water connection**

Supplied hose to suit 3/8" •  
 Water pressure **30kPa - 1000 kPa**

SKU **82901**

The product dimensions and specifications in this page apply to the specific product and model. Under our policy of continuous improvement, these dimensions and specifications may change at any time. You should therefore check with Fisher & Paykel's Customer Care Centre to ensure this page correctly describes the model currently available. ? Fisher & Paykel Appliances Ltd 2020

---

Other product downloads available at [fisherpaykel.com](http://fisherpaykel.com)

- [↓](#) Service & Warranty
- [↓](#) User Guide DishDrawer™ / Guide d'utilisation
- [↓](#) Energy Label Double DishDrawer
- [↓](#) Installation Guide DishDrawer™
- [↓](#) Preliminary Specification Guide Double DishDrawer™



**A PEACE OF MIND SALE**

24 Hours 7 Days a Week Customer Support

T 1.888.936.7872 W [www.fisherpaykel.com](http://www.fisherpaykel.com)