

Oven, 30", 10 Function, Self-cleaning

Series 9 | Professional

Stainless Steel

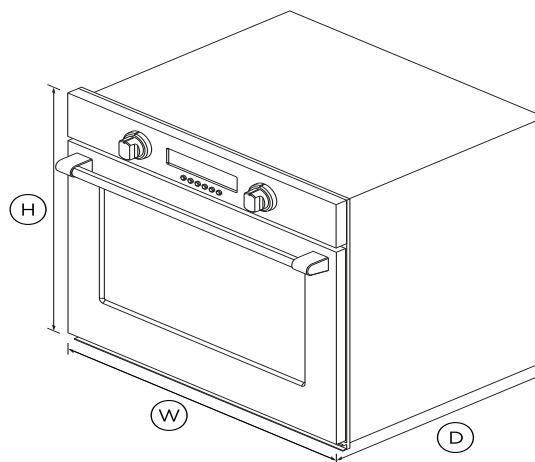


A highlight of the Fisher & Paykel range, this Series 9 oven ensures that every dish you create is cooked to perfection.

- 4.1 cu ft total capacity
- 10 oven functions including Aero™ Pastry and Roast
- High-temperature self-cleaning function breaks down food residue for an easy clean
- Non-tip, full-extension shelves for safe removal of hot dishes

DIMENSIONS

Height	27 ¹ / ₈ "
Width	29 ³ / ₄ "
Depth	23 ⁵ / ₁₆ "



FEATURES & BENEFITS

Cooking flexibility

This built-in oven has 10 functions with pre-set temperatures, including Roast, Pasty Bake and Maxi Broil allowing you to use a variety of cooking styles.

Even cooking

A digital microprocessor monitors the temperature to ensure precise heat and a four-way convection system creates even heat distribution throughout the oven, ideal for multi-shelf cooking.

Sized to suit

Designed for multi-shelf cooking, this built-in oven provides 4.1

cu.ft of total capacity allowing you to cook the family roast and a pie for dessert.

Self cleaning

The self-clean function breaks down food residue at a very high temperature, leaving a light ash that's easily removed with a damp cloth. For best results, wipe down the inside of your oven door before you use the self-clean function.

Information at a glance

Halo illuminated dials provide information at a glance. White – heating up; orange – temperature is reached; red – self-cleaning mode. Three halogen lights and the large oven window creates excellent visibility of what's cooking.

Safe and sound

The CoolTouch door with triple glazing and cooling system is safe to touch from the outside, protecting your hands and the surrounding cabinetry.

SPECIFICATIONS

Capacity

Shelf positions	8
Total capacity	4.1cu ft
Usable capacity	3.6cu ft

Cleaning

Self-clean	•
------------	---

Controls

Convection power	2,500W
Halogen lights	3
Sabbath mode	•

Functions

Bake	•
Broil	•
Convection Broil	•
Maxi Broil	•
Number of functions	10
Pastry Bake	•
Roast	•
Self-clean function	•
True convection	•
Warm	•

TEST The product dimensions and specifications in this page apply to the specific product and model. Under our policy of continuous improvement, these dimensions and specifications may change at any time. You should therefore check with Fisher & Paykel's Customer Care Centre to ensure this page correctly describes the model currently available. ? Fisher & Paykel Appliances Ltd 2020

Performance

Broil power	4;400W
Convection power	2;500W

Power requirements

Supply frequency	60Hz
Supply voltage	120 - 240V

Product dimensions

Depth	23 ⁵ / ₁₆ "
Height	27 ¹ / ₈ "
Width	29 ³ / ₄ "

Safety

Full extension sliding shelves	3
--------------------------------	---

SKU	81832
-----	-------

Other product downloads available at fisherpaykel.com

- [↓](#) Quick Start Guide
- [↓](#) User Guide
- [↓](#) Service & Warranty Booklet
- [↓](#) Installation Guide
- [↓](#) Resources (zip)



A PEACE OF MIND SALE

24 Hours 7 Days a Week Customer Support

T 1.888.936.7872 Wwww.fisherpaykel.com