

Double DishDrawer™ Dishwasher, Tall, Sanitize

Series 7 | Contemporary

Black

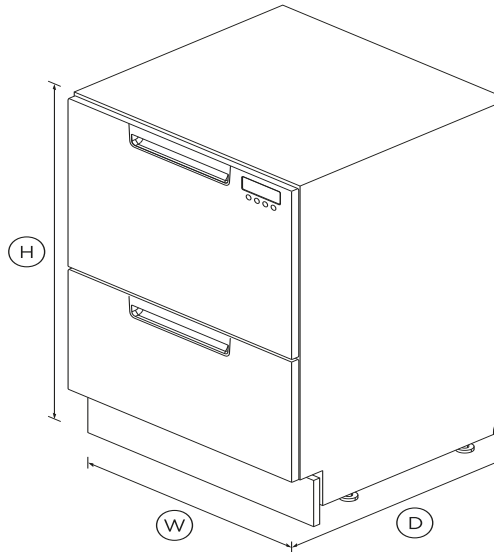


Doing the dishes got easier. Load one drawer while the other washes – with the top drawer fitting your large dinner plates easily.

- Six wash programs, as well as additional Quick wash, Sanitize and Extra Dry options
- Flexible racking can be folded down to fit bigger dishes

DIMENSIONS

Height	34 - 36 ³ / ₈ "
Width	23 ⁹ / ₁₆ "
Depth	22 ⁹ / ₁₆ "



FEATURES & BENEFITS

Ease of use

DishDrawer™ Dishwashers are as easy to open and close as kitchen drawers and can be conveniently positioned at bench height for ease of loading and minimal bending. Flexible racking allows you to make adjustments to fit in a variety of dishes.

Independent wash

With the ability to use both drawers independently and select different wash programs the DishDrawer™ Dishwasher can wash everything from fine glass and crystal to heavily soiled pots and

pans.

Quick, Sanitize and Extra Dry options

The Quick wash modifier delivers a faster wash while maintaining performance. The Sanitize option provides extra protection killing 99.9% of bacteria in the final rinse. The Extra Dry setting is perfect for plastic dishes.

Quiet performer

Running at a very low decibel rating, these DishDrawer™ Dishwashers do their job without making a fuss. The combination of intelligent technology and simple mechanics means greater reliability and excellent wash performance.

SPECIFICATIONS

Accessories

Contemporary round handle	Part number 81674
Cutlery basket	2
Kickstrip	•

Capacity and Loading

Accommodates round plates	12.25" (top) 11" (bottom)
Adjustable height, foldable	•
Fold down tines	•
Pitch adjustable tines	•
Place settings	14

Consumption

Energy star rating	•
Energy usage	265kWh/year
Water usage	3.44

Controls

- Child lock •
- Electronic fault/Diagnostic •
- End of cycle beeps •
- Energy saving delay start •
- Rinse aid indicator light •

Features

- Fan assisted drying •
- Flow through detergent •
- Quiet operation •
- SmartDrive™ technology •

Performance

Noise on gentle cycle top **44**

Power requirements

Amperage **9.6A**
 Electric circuit **3**
 Rated current **15A**
 Supply frequency **60Hz**
 Supply voltage **120V**

Product dimensions

Depth **22 9/16 "**
 Depth of toe kick recess **1 1/2 - 4 "**
 Dimensions (excluding **H34 - 36 3/8 "**
 Height **34 - 36 3/8 "**
 Height of toe kick panel **2 13/16 - 5 "**
 Width **23 9/16 "**

Warranty

Parts and labor **Limited 2 Year Parts & Labor**

Wash Programs

Delicate •
 Extra Dry •
 Fast •
 Heavy •
 Medium •
 Normal eco •
 Number of wash programs **15**
 Quick •
 Rinse •
 Sanitize •
 Wash modifiers **3**

Water connection

Water pressure **0.03 Mpa - 1 Mpa (4.3-145 psi)**

SKU **81598**

TEST The product dimensions and specifications in this page apply to the specific product and model. Under our policy of continuous improvement, these dimensions and specifications may change at any time. You should therefore check with Fisher & Paykel's Customer Care Centre to ensure this page correctly describes the model currently available. ? Fisher & Paykel Appliances Ltd 2020

Other product downloads available at fisherpaykel.com

- [↓](#) Quick Start Guide
- [↓](#) User Guide
- [↓](#) Service & Warranty Booklet
- [↓](#) Installation Guide
- [↓](#) Resources (zip)



A PEACE OF MIND SALE

24 Hours 7 Days a Week Customer Support

T 1.888.936.7872 Wwww.fisherpaykel.com